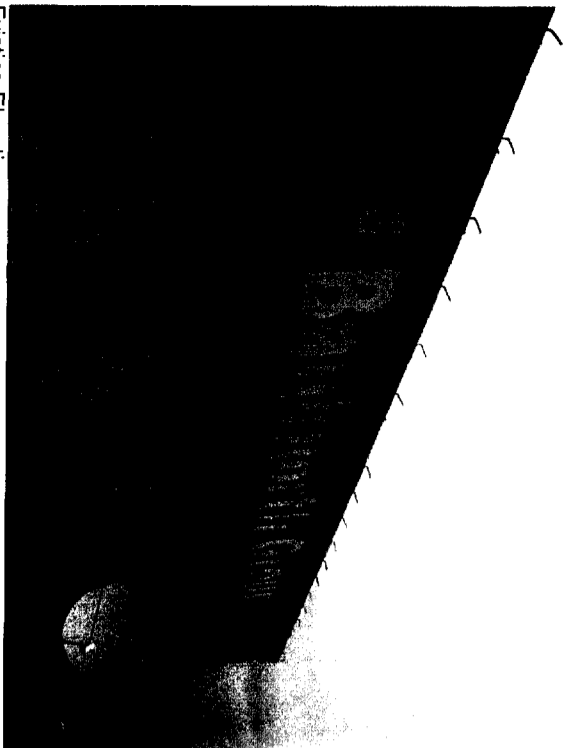
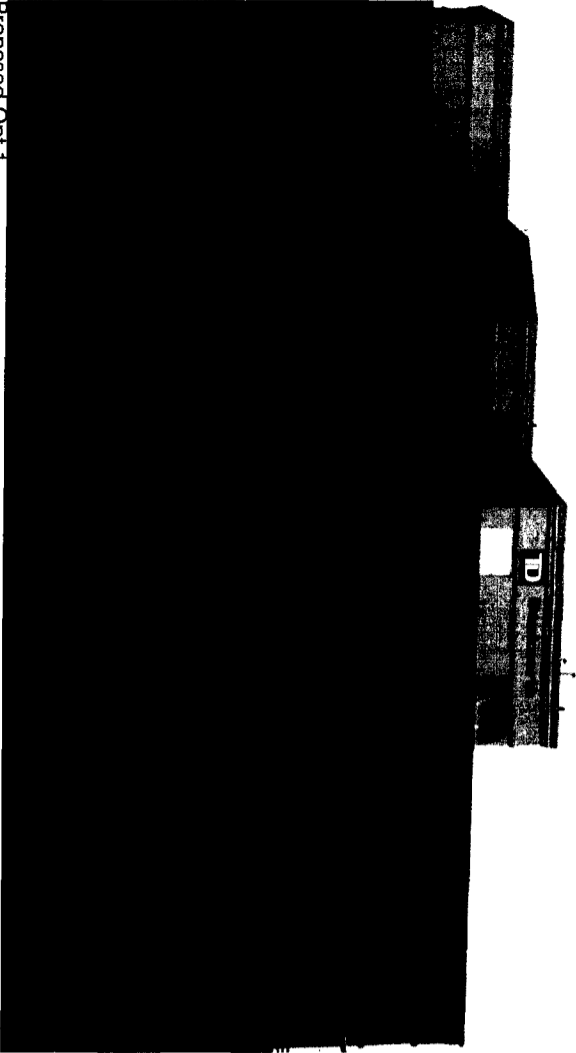


Sign Schedule

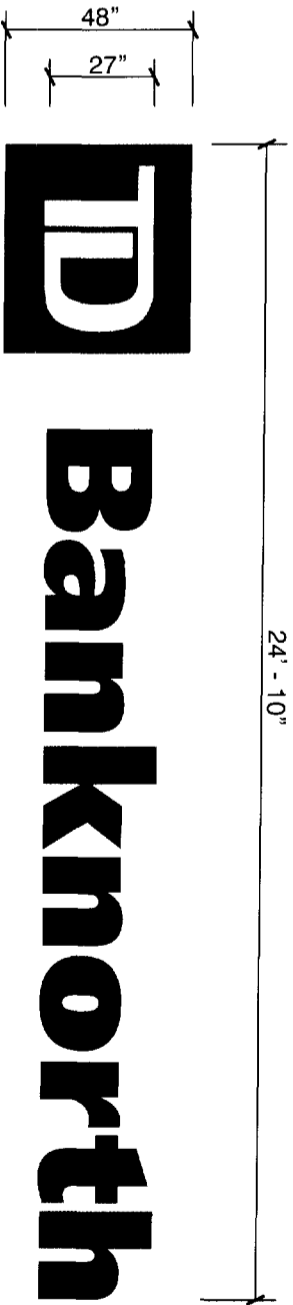
Existing Sign Inventory		Proposed Sign Inventory		Proposed Sign Inventory		Description	
#	Qty	Description	RC#	#	Qty	Sign Code	
1	1	Channel Letters	507050	1	1	CL-48-27-GRN-CUST	Green Channel Letters



Existing Elevation



Proposed Opt 1



TD Channel Letters- CL-48-27-GRN

Scale: 1/4" = 1'-0"

Custom Layout

NOTES

Illuminated Channel Letters: plex face with applied
 Perforated 3M Scotchcal #VQ-10019 Dk green vinyl.
 BrandMark: Illuminated box with applied 3M Scotchcal
 #VQ-10018 light green vinyl and 3M Scotchcal 3650-10
 trans white vinyl.

Customer Review:

- Approved as submitted
- Approved as noted
- See Notes - Resubmit Drawing for Review and Approval

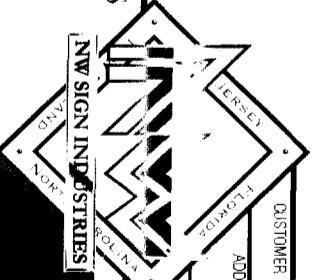
NAME _____ DATE _____

THIS IS AN ORIGINAL UNPUBLISHED DRAWING CREATED BY NW SIGN INDUSTRIES, INC. IT IS PROVIDED FOR THE EXCLUSIVE USE BY THE CUSTOMER AND FOR THE PROJECT NAMED IN THIS TITLE BLOCK. IT SHALL NOT BE PROVIDED TO ANY OTHER SIGN MANUFACTURER OR USED FOR ANY OTHER PROJECT WITHOUT THE WRITTEN PERMISSION OF NW SIGN INDUSTRIES, INC. THIS DRAWING IS AN INSTRUMENT OF SERVICE AND SHALL REMAIN THE EXCLUSIVE PROPERTY OF NW SIGN INDUSTRIES, INC.

© NW SIGN INDUSTRIES, INC. 2005

REVISION	DATE
1. Chng TD to 48" Letters 24" & 27"	6/8/05mlh
2. added construction detail	6/23/05 r

NW SIGN INDUSTRIES
 of New Jersey
 360 CRIDER AVENUE
 MOORESTOWN, NJ 08057
 (856) 802-1677 • fax: (856) 802-0412



CUSTOMER: **TD Banknorth**
 ADDRESS: **2 Portland Square
 Portland, ME**

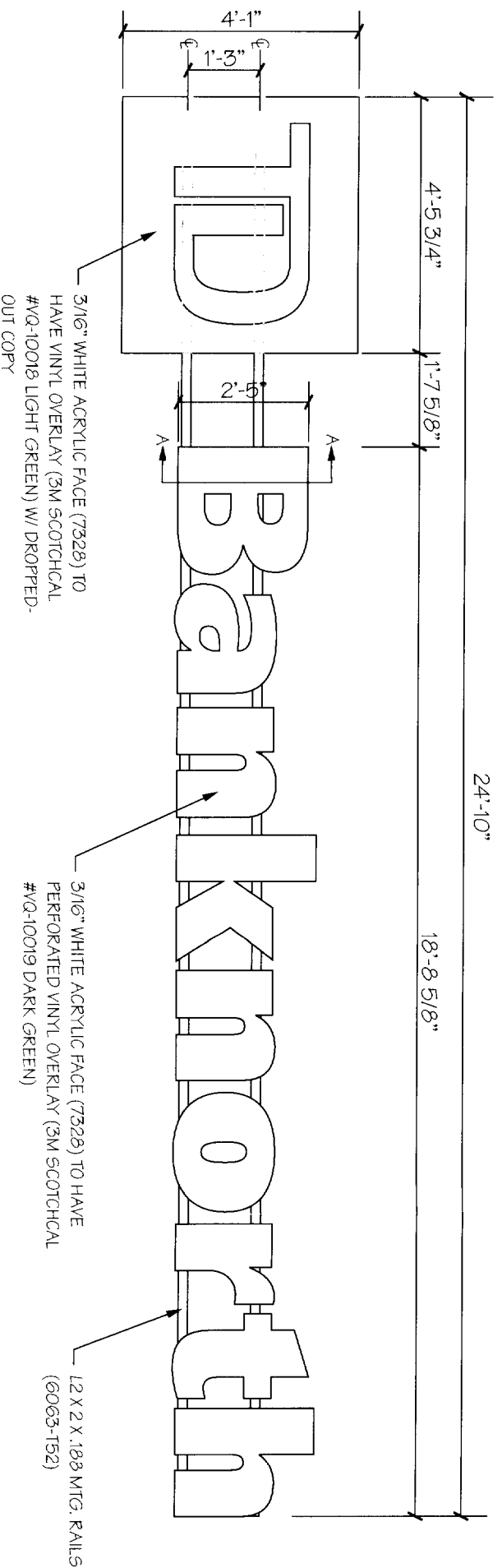
FILE NAME: 507050-05-464 TD Banknorth Portland Sq Portland ME.cdr

SALES REP: **DOH** DESIGNER: **mlh**

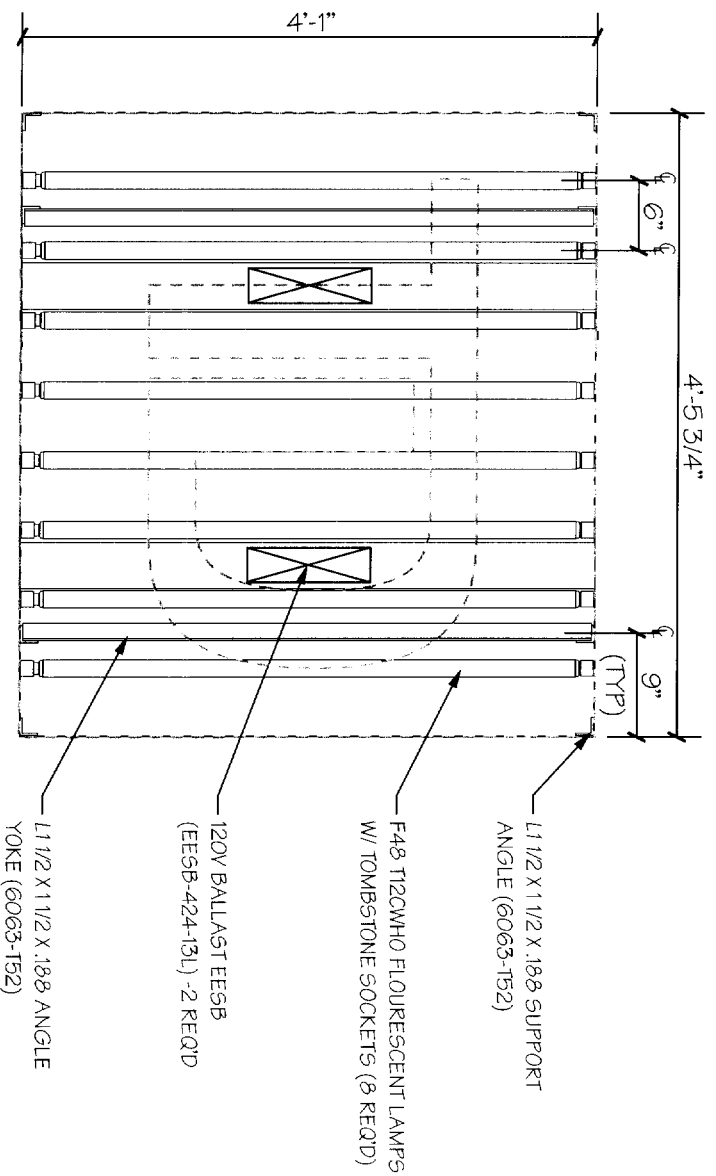
DRAWING NUMBER

05-464-2

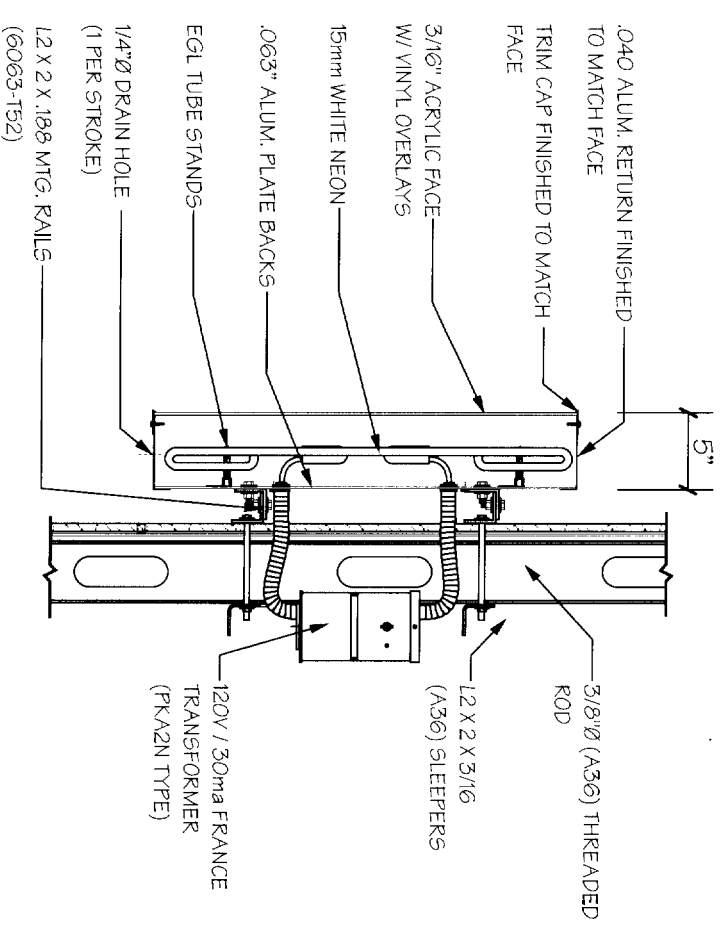
Note:
-MTG. RAILS TO BE PAINTED TO MATCH EXISTING WALL



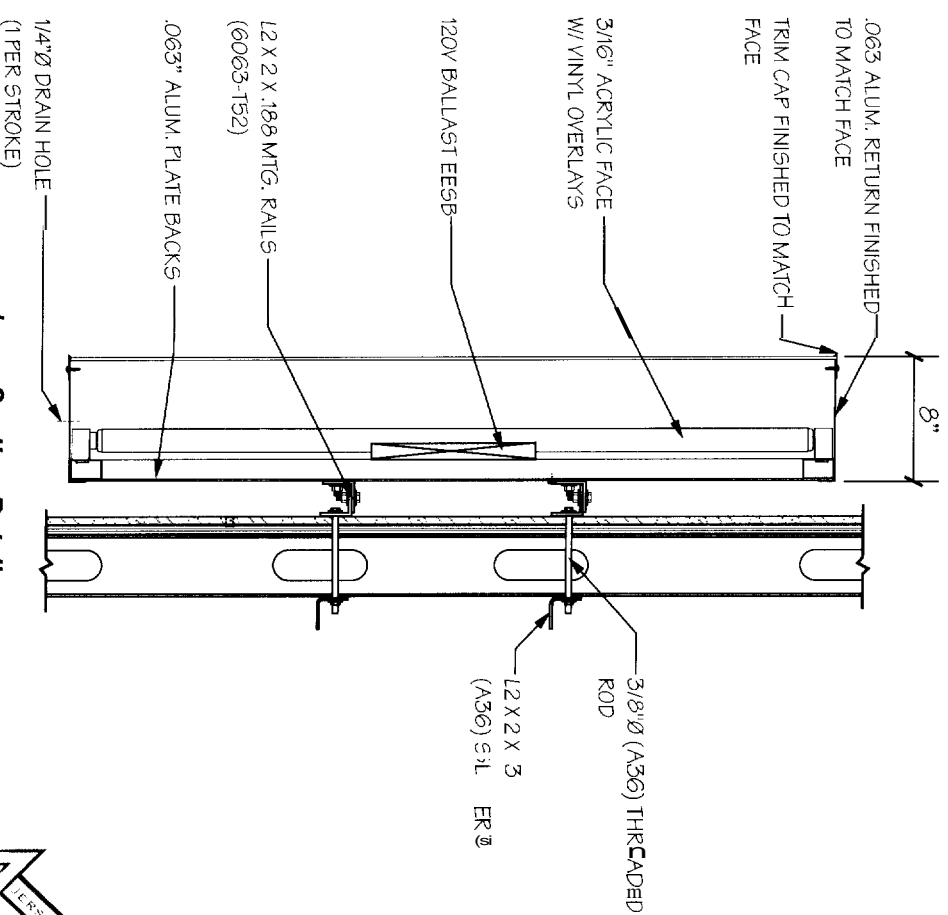
CHANNEL LETTERS -CL-48-27-GRN-CUST *Custom Layout*
SCALE: 3/8" = 1'-0"



LOGO LIGHTING ELEVATION
SCALE: 3/4" = 1'-0"



Letter Section Detail A-A
Scale: 1" = 1'-0"



Logo Section Detail
Scale: 1" = 1'-0"

ESTIMATED ELECTRICAL LOAD
(7.8) amps @ 120V
ESTIMATED ELECTRICAL REQUIREMENTS
(1) 20 amp. cir. @ 120V

Customer Review:

- Approved as submitted
- Approved as noted
- See Notes - Resubmit Drawing for Review and Approval

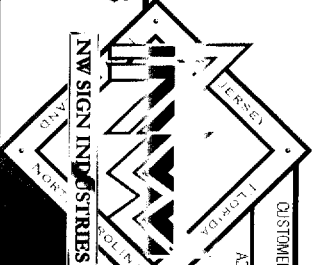
NAME _____ DATE _____

THIS IS AN ORIGINAL UNPUBLISHED DRAWING CREATED BY NW SIGN INDUSTRIES, INC. IT IS PROVIDED FOR THE EXCLUSIVE USE BY THE CUSTOMER AND FOR THE PROJECT NAMED IN THIS TITLE BLOCK. IT SHALL NOT BE PROVIDED TO ANY OTHER SIGN MANUFACTURER OR USED FOR ANY OTHER PROJECT WITHOUT THE WRITTEN PERMISSION OF NW SIGN INDUSTRIES, INC. THIS DRAWING IS AN INSTRUMENT OF SERVICE AND SHALL REMAIN THE EXCLUSIVE PROPERTY OF NW SIGN INDUSTRIES, INC.

© NW SIGN INDUSTRIES, INC. 2005

REVISION	DATE
1. chg TD to 48" Letters 24" & 27"	6-8-05mlh
2. added construction detail	6/23/05 tr

NW SIGN INDUSTRIES
of New Jersey
360 CRIDER AVENUE
MOORESTOWN, NJ 08057
(856) 802-1677 • fax: (856) 802-0412



Banknorth
2 Portland Square
Portland, ME

CUSTOMER: **Banknorth**
ADDRESS: 2 Portland Square, Portland, ME
SITE #: 507050
FILE NAME: 507050 DS-464 TD Banknorth Portland Sq Portland ME.cdr

SALES REP: DOH
DESIGNER: mlh

05-464-2
DRAWING NUMBER
PAGE 2 OF 2