
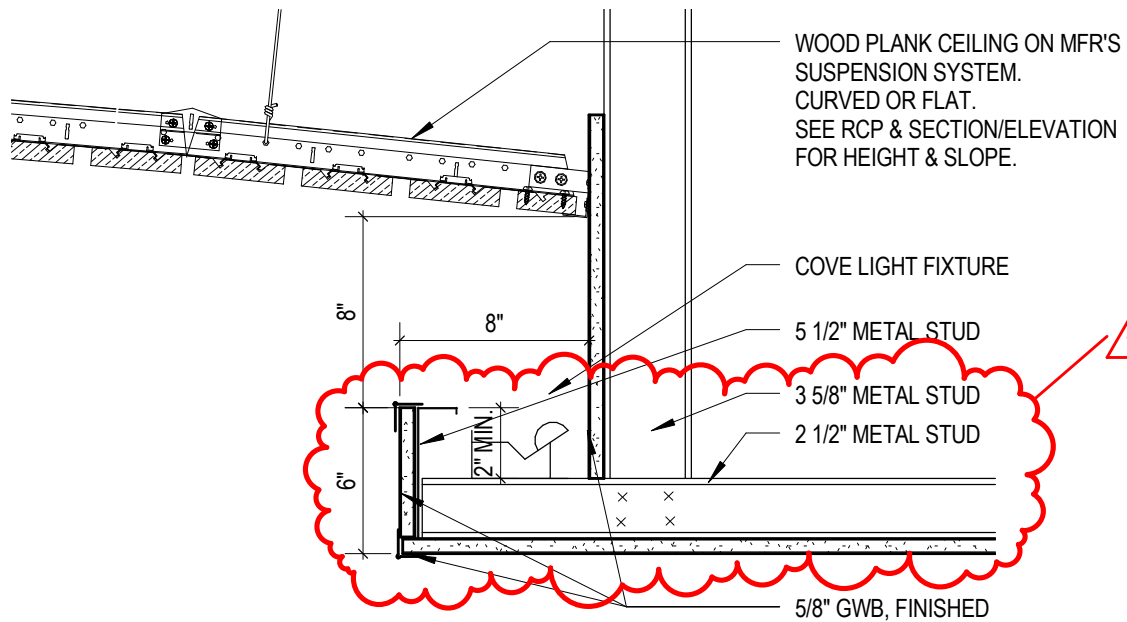


FLOOR 7 DOOR & FRAME SCHEDULE- ADDENDUM 1

NO.	DOOR					FRAME				HW SET	RATING	COMMENTS
	SIZE			MTL	TYPE	MTL.	TYPE	DETAIL				
	WIDTH	HT.	THK					HEAD	JAMB			
700	3' - 0"	7' - 10"	1 3/4"	WD/GL	FG	HM	1			1		NEW DOOR IN EXISTING FRAME
701	3' - 0"	7' - 10"	1 3/4"	WD/GL	FG	WD	1	5/A60.1	6/A60.1	1		
702	3' - 0"	7' - 10"	1 3/4"	WD/GL	FG	HM				1		NEW DOOR IN EXISTING FRAME
704	3' - 0"	7' - 10"	1 3/4"	WD/GL	FG	HM	1			1		NEW DOOR IN EXISTING FRAME
706	3' - 0"	7' - 10"	1 3/4"	WD/GL	FG	HM	1	4/A60.1	3/A60.1	1		
707	3' - 0"	7' - 10"	1 3/4"	WD	F	HM	1	4/A60.1	3/A60.1	2		PROVIDE COAT HOOK ON BACK OF DOOR
709	3' - 6"	8' - 0"				HM		8/A60.1	7/A60.1			CASED OPENING
710	3' - 0"	7' - 10"	1 3/4"	WD/GL	FG	WD	1	5/A60.1	6/A60.1	1		
712	3' - 0"	7' - 10"	1 3/4"	WD/GL	FG	HM				1		NEW DOOR IN EXISTING FRAME
713	6' - 0"	7' - 10"	1 3/4"	WD	F	HM	2	4/A60.1	3/A60.1	5		
714	3' - 0"	7' - 10"	1 3/4"	WD/GL	FG	HM				1		NEW DOOR IN EXISTING FRAME
716	3' - 0"	7' - 10"	1 3/4"	WD/GL	FG	HM				1		NEW DOOR IN EXISTING FRAME
718	3' - 0"	7' - 10"	1 3/4"	WD/GL	FG	HM	1	4/A60.1	3/A60.1	1		
719	3' - 0"	7' - 10"	1 3/4"	WD/GL	FG	WD	1	5/A60.1	6/A60.1	1		
720	3' - 0"	7' - 10"	1 3/4"	WD/GL	FG	WD	1	5/A60.1	6/A60.1	1		
721	3' - 0"	7' - 10"	1 3/4"	WD/GL	FG	HM	1	4/A60.1	3/A60.1	1		
723	3' - 0"	7' - 10"	1 3/4"	WD	F	HM	1	4/A60.1	3/A60.1	4		
725	3' - 0"	7' - 10"	1 3/4"	WD/GL	FG	HM	1	4/A60.1	3/A60.1	1		
727A	3' - 0"	7' - 10"	1 3/4"	WD/GL	FG	WD	1	5/A60.1	6/A60.1	7A		
729	3' - 0"	7' - 10"	1 3/4"	WD/GL	FG	HM	1	4/A60.1	3/A60.1	3		
735	3' - 0"	8' - 0"	1 3/4"	WD	F	HM	1	4/A60.1	3/A60.1	4		
746	3' - 0"	8' - 0"	1 3/4"	WD	F	HM	1	4/A60.1	3/A60.1	4		
749	3' - 0"	7' - 10"	1 3/4"	WD/GL	FG	HM				1		NEW DOOR IN EXISTING FRAME
750	3' - 0"	7' - 10"	1 3/4"	WD/GL	FG	WD	1	5/A60.1	6/A60.1	1		
752	3' - 0"	7' - 10"	1 3/4"	WD/GL	FG	HM				1		NEW DOOR IN EXISTING FRAME
754	3' - 0"	7' - 10"	1 3/4"	WD/GL	FG	HM				1		NEW DOOR IN EXISTING FRAME
755	3' - 0"	7' - 10"	1 3/4"	WD/GL	FG	HM				1		NEW DOOR IN EXISTING FRAME
756	3' - 0"	7' - 10"	1 3/4"	WD/GL	FG	HM				1		NEW DOOR IN EXISTING FRAME
757A	3' - 0"	7' - 10"	1 3/4"	WD/GL	FG	HM	1	4/A60.1	3/A60.1	3		12-LIGHT DOORS TO MATCH EXISTING
757B	3' - 0"	7' - 10"	1 3/4"	WD/GL	FG	HM	1	4/A60.1	3/A60.1	3		12-LIGHT DOORS TO MATCH EXISTING
757C	6' - 0"	6' - 8"	1 3/4"	WD	F							EXISTING DOOR TO REMAIN

October 7, 2016

 <p>One Canal Plaza, Suite 888 Portland, Maine 04101</p> <p>207 863 2118 canal5studio.com</p>	<p>THIS DRAWING IS THE PROPERTY OF CANAL 5 STUDIO AND IS NOT TO BE COPIED OR REPRODUCED IN PART OR WHOLE. 2013 © CANAL 5 STUDIO</p>	Scale:	Project Title	1	10-07-2016	Addendum 1	Project Status	Drawing Title	Drawing Number
		C5S Project No.	VERRILL DANA INTERIOR RENOVATIONS	REV.	DATE	DESCRIPTION	ADDENDUM 1	FLOOR 7 DOOR SCHEDULE	SKC-001
		16001		REF: DWG A60.2					



REF: 12/A71.1

LIGHT COVE DTL @ WOOD CLG

Scale

1 1/2" = 1'-0"

CANAL 5 STUDIO

One Canal Plaza, Suite 888
Portland, Maine 04101

207 553 2115
canal5studio.com

Project Title

VERRILL DANA
INTERIOR RENOVATIONS

Drawing Number

SKC-002

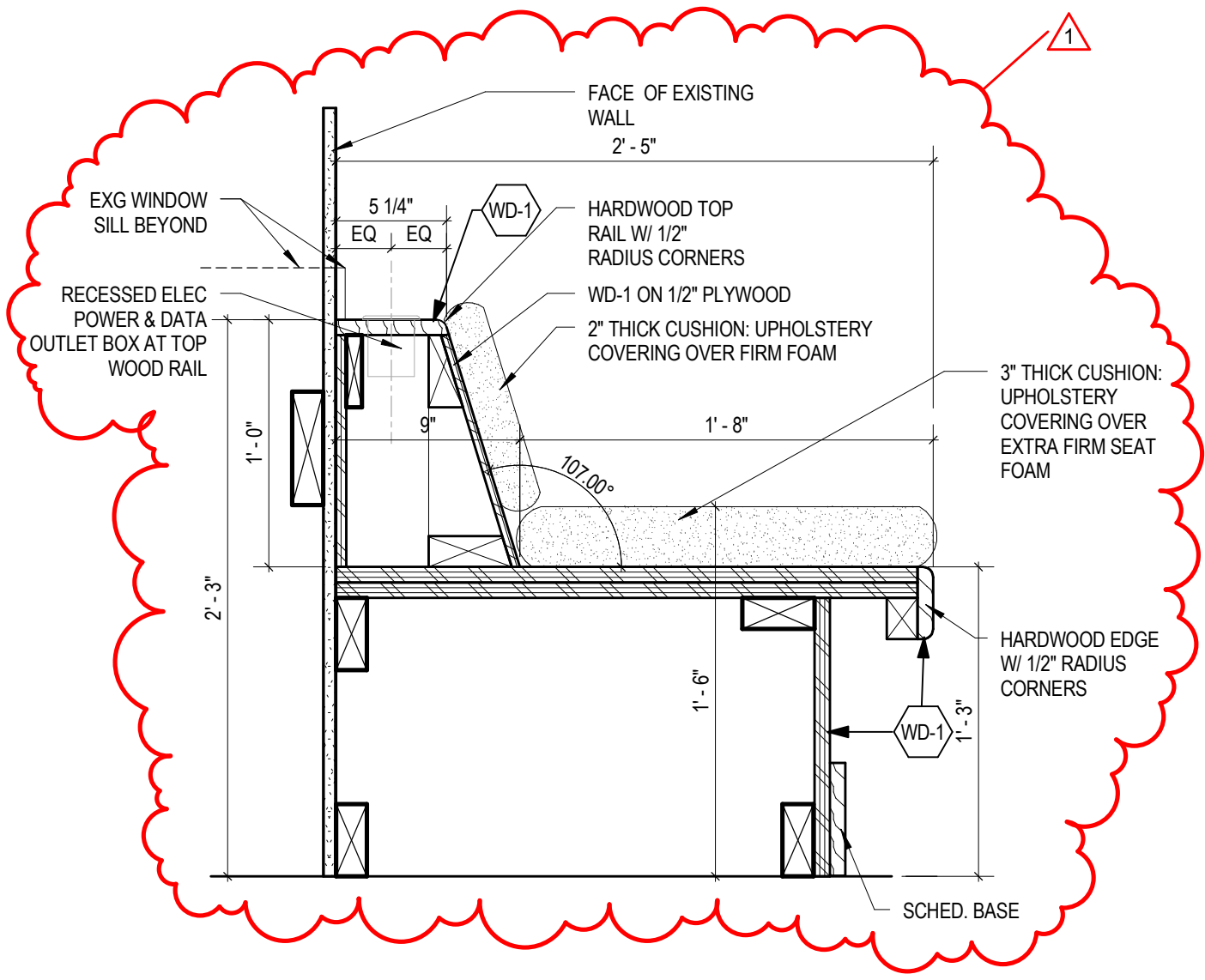
C5SProject No.

16001

THIS DRAWING IS THE PROPERTY OF CANAL 5
STUDIO AND IS NOT TO BE COPIED OR REPRODUCED
IN PART OR WHOLE. 2013 © CANAL 5 STUDIO

Date

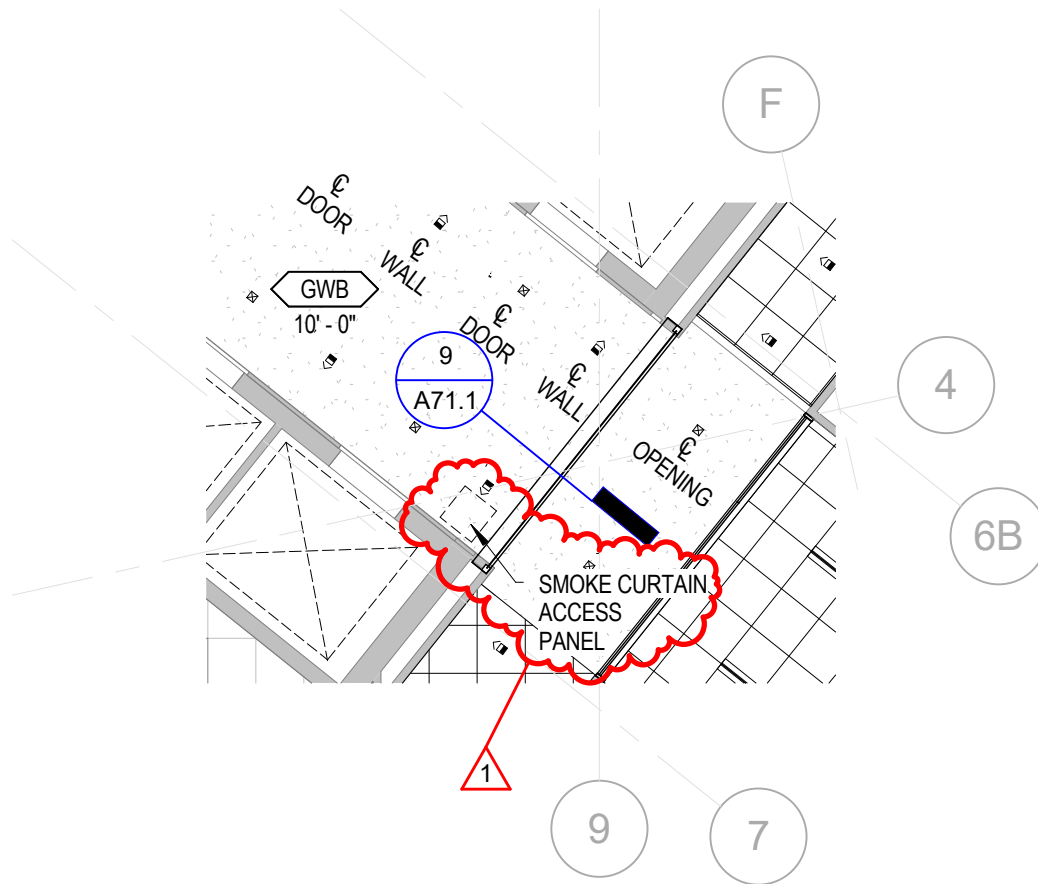
10/07/16



REF: 3/A83.2

REVISED BUILT-IN BENCH DETAIL Scale 1 1/2" = 1'-0"


<p>One Canal Plaza, Suite 888 Portland, Maine 04101</p> <p>207 553 2115 canal5studio.com</p>	Project Title VERRILL DANA INTERIOR RENOVATIONS		Drawing Number SKC-003	
	C5SProject No. 16001	THIS DRAWING IS THE PROPERTY OF CANAL 5 STUDIO AND IS NOT TO BE COPIED OR REPRODUCED IN PART OR WHOLE. 2013 © CANAL 5 STUDIO		Date 10/07/16

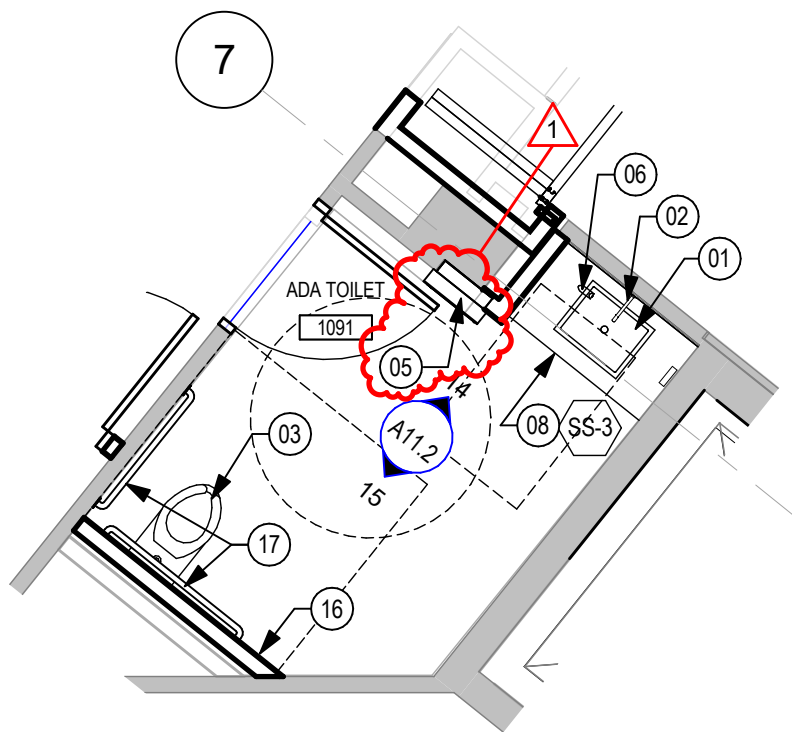


REF: A70.2, A70.3 & A70.4

LOCATION OF SMOKE SCREEN ACCESS PANELS @ FLOORS 8-10 ELEVATOR LOBBIES

Scale	1/8" = 1'-0"
-------	--------------

 <p>One Canal Plaza, Suite 888 Portland, Maine 04101</p> <p>207 553 2115 canal5studio.com</p>	Project Title VERRILL DANA INTERIOR RENOVATIONS		Drawing Number SKC-004	
	C5SProject No. 16001	THIS DRAWING IS THE PROPERTY OF CANAL 5 STUDIO AND IS NOT TO BE COPIED OR REPRODUCED IN PART OR WHOLE. 2013 © CANAL 5 STUDIO		Date 10/07/16



REF: 13/A11.2

FLOOR 10 - ADA TOILET 1091

Scale

1/4" = 1'-0"



Project Title

VERRILL DANA
INTERIOR RENOVATIONS

Drawing Number

SKC-005

One Canal Plaza, Suite 888
Portland, Maine 04101

207 553 2115
canal5studio.com

C5SProject No.

16001

THIS DRAWING IS THE PROPERTY OF CANAL 5
STUDIO AND IS NOT TO BE COPIED OR REPRODUCED
IN PART OR WHOLE. 2013 © CANAL 5 STUDIO

Date

10/07/16