

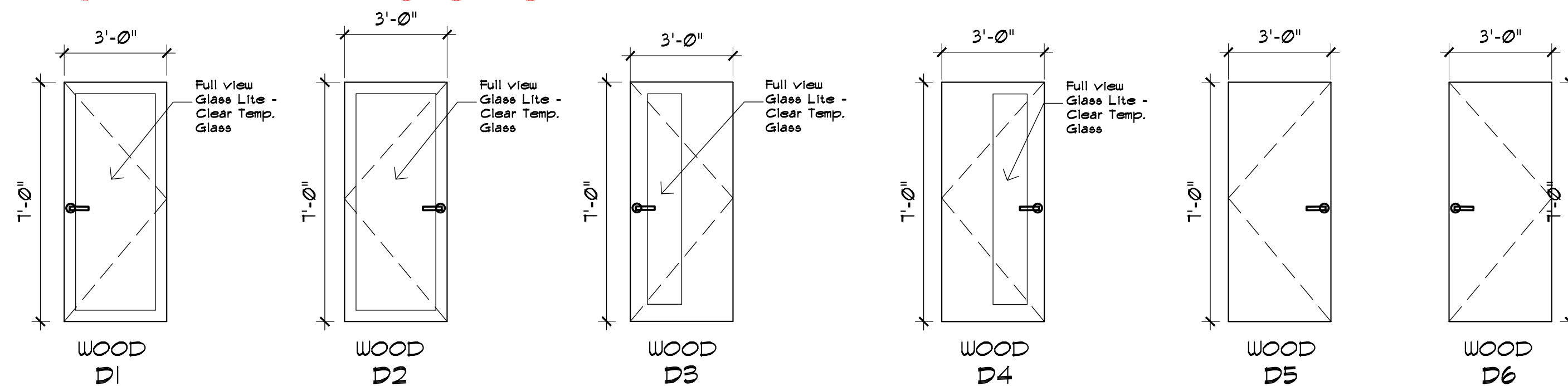
DOOR SCHEDULE

| | | |
|------------------------------|---------------------------|-----------------|
| ALUM ALUMINUM | HG HANDICAP | SC SOLID CORE |
| AO AUTOMATIC OPERATOR | INS INSULATED | SH SPRING HINGE |
| CLO CLOSURE | KPL KEY PAD LOCK - B OP | S.LTS SIDELITES |
| CRA CARD READER ACCESS | LP LOW PROFILE - 1/2" MAX | TEMP TEMPERED |
| ED EXIT DEVICE (FH) | MIN MINUTE | THK THICKNESS |
| ES ELECTRIC STRIKE - 12 V DC | MIL METAL | WD WOOD |
| EXT EXTERIOR | NO NUMBER | WG WIRE GLASS |
| DR DOOR | NR NON-RATED | |
| DP DOOR PULL | PH PANIC HARDWARE | |
| FR FIRE RATED | FP PUSH / PULL | |

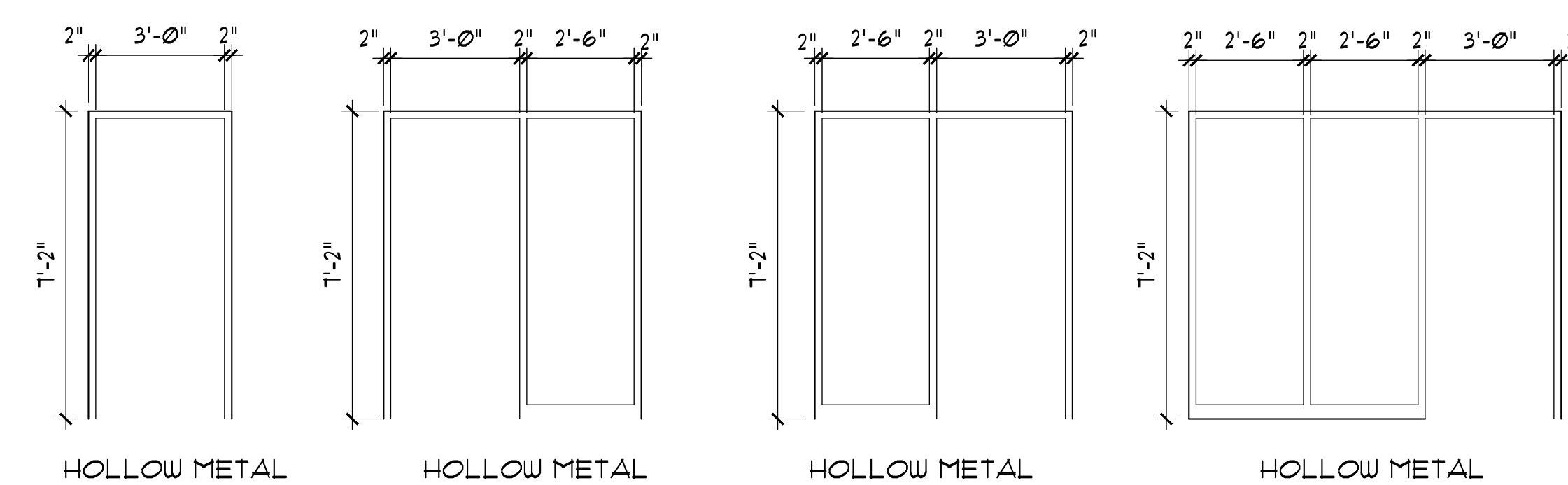
GENERAL NOTES: DOORS & HARDWARE

- DOORS, FRAMES AND HARDWARE: G.C TO COORDINATE WITH BDC, KAYCO SUPPLY CO
- INTERIOR WOOD DOORS AND METAL FRAMES: A. VI INDUSTRIES; DOORS: FLAIN SLICE BIRCH; COLOR CHOCOLATE; FINISH #6R17; EXISTING DOORS TO BE PAINTED AS NOTED. B. 5 3/4" WELDED HOLLOW METAL FRAMES - PAINTED (REFER TO FINISH SCHEDULE).
- CUSTOM STAINED WOOD GLASS STOP AT DOOR LITES TO BE SQUARE AND FLUSH WITH DOOR
- INTERIOR HM DOOR FRAMES: PAINTED - (REFER TO FINISH SCHEDULE)
- ALL HARDWARE SHALL COMPLY WITH A.D.A. REQUIREMENTS AND STANDARDS.
- ALL DOORS SHALL HAVE LEVER HANDLE.
- HARDWARE FINISH - US26D "CHROME PLATED, DULL"
- CONTRACTOR TO FIELD VERIFY ALL OPENINGS BEFORE FABRICATION.
- GLAZING GLASS A - CLEAR TEMPERED GLASS, REFER TO MANUFACTURER FOR SAFETY GLAZING.
- CLOSET DOORS: LATCHES SHALL BE ABLE TO OPEN FROM INSIDE THE CLOSET.

| NO. | ROOM | NAME | DOOR | | | | | FRAME | | | | | REMARKS | |
|------|-------------|------|---------------------|--------|-------------|-------|-------|----------------------|------|------|------|--------|---------|---|
| | | | TYPE | SIZE | THK | MAT. | GLASS | RATING | MAT. | TYPE | SILL | RATING | | HDW SET |
| 100A | RECEPTION | EX | - | - | - | - | - | - | - | - | - | - | - | |
| 100B | ENTRY | EX | - | - | - | - | - | - | - | - | - | - | - | STAINED TO MATCH WALNUT - CARD READER, ELECTRIFIED EXIT DEVICE, REX. CLOSER, REMOTE OPENING AT RECEPTION DESK 100 |
| 101 | CONFERENCE | D4 | 3'-0" x 7'-0" | 1 3/4" | WALNUT | TEMP. | - | METAL | EX | - | - | - | - | |
| 102A | BOARD ROOM | D3 | 3'-0" x 7'-0" | 1 3/4" | WALNUT | TEMP. | - | METAL | EX | - | - | - | - | |
| 102B | BOARD ROOM | EX | 3'-0" x 7'-0" | 1 3/4" | - | - | - | - | - | - | - | - | - | SAND AND PAINT |
| 103 | NOT USED | | NO DOOR THIS NUMBER | | | | | NO FRAME THIS NUMBER | | | | | | |
| 104 | OFFICE | D2 | 3'-0" x 7'-0" | 1 3/4" | - | - | - | METAL | F2 | - | - | - | - | |
| 105 | OFFICE | N/A | 3'-0" x 7'-0" | - | - | - | - | - | - | - | - | - | - | |
| 106 | OFFICE | N/A | 3'-0" x 7'-0" | - | - | - | - | - | - | - | - | - | - | |
| 107 | OFFICE | N/A | 3'-0" x 7'-0" | - | - | - | - | - | - | - | - | - | - | |
| 108 | OFFICE | N/A | 3'-0" x 7'-0" | - | - | - | - | - | - | - | - | - | - | |
| 109 | OFFICE | D1 | 3'-0" x 7'-0" | 1 3/4" | WALNUT | TEMP. | - | METAL | F3 | - | - | - | - | |
| 110 | OFFICE | D2 | 3'-0" x 7'-0" | 1 3/4" | WALNUT | TEMP. | - | METAL | EX | - | - | - | - | |
| 111 | OFFICE | D1 | 3'-0" x 7'-0" | 1 3/4" | WALNUT | TEMP. | - | METAL | EX | - | - | - | - | |
| 112 | OFFICE | D1 | 3'-0" x 7'-0" | 1 3/4" | WALNUT | TEMP. | - | METAL | EX | - | - | - | - | |
| 113 | NOT USED | | NO DOOR THIS NUMBER | | | | | NO FRAME THIS NUMBER | | | | | | |
| 114A | CONFERENCE | D1 | 3'-0" x 7'-0" | 1 3/4" | WALNUT | TEMP. | - | METAL | EX | - | - | - | - | |
| 114B | CONFERENCE | D2 | 3'-0" x 7'-0" | 1 3/4" | WALNUT | TEMP. | - | METAL | EX | - | - | - | - | |
| 115 | NOT USED | | NO DOOR THIS NUMBER | | | | | NO FRAME THIS NUMBER | | | | | | |
| 116 | OFFICE | D2 | 3'-0" x 7'-0" | 1 3/4" | WALNUT | TEMP. | - | METAL | EX | - | - | - | - | |
| 117 | CONFERENCE | D2 | 3'-0" x 7'-0" | 1 3/4" | WALNUT | TEMP. | - | METAL | EX | - | - | - | - | |
| 118 | OFFICE | D1 | 3'-0" x 7'-0" | 1 3/4" | WALNUT | TEMP. | - | METAL | EX | - | - | - | - | |
| 119 | OFFICE | D2 | 3'-0" x 7'-0" | 1 3/4" | WALNUT | TEMP. | - | METAL | F2 | - | - | - | - | |
| 120 | OFFICE | N/A | - | - | - | - | - | - | - | - | - | - | - | |
| 121 | OFFICE | N/A | - | - | - | - | - | - | - | - | - | - | - | |
| 122 | OFFICE | N/A | - | - | - | - | - | - | - | - | - | - | - | |
| 123 | OFFICE | N/A | - | - | - | - | - | - | - | - | - | - | - | |
| 124 | OFFICE | D1 | 3'-0" x 7'-0" | 1 3/4" | WALNUT | TEMP. | - | METAL | F3 | - | - | - | - | |
| 125 | OFFICE | D2 | 3'-0" x 7'-0" | 1 3/4" | WALNUT | TEMP. | - | METAL | F2 | - | - | - | - | |
| 126 | OFFICE | D1 | 3'-0" x 7'-0" | 1 3/4" | WALNUT | TEMP. | - | METAL | F3 | - | - | - | - | |
| 127 | OFFICE | D2 | 3'-0" x 7'-0" | 1 3/4" | WALNUT | TEMP. | - | METAL | F2 | - | - | - | - | |
| 128 | NOT USED | | NO DOOR THIS NUMBER | | | | | NO FRAME THIS NUMBER | | | | | | |
| 129 | OFFICE | D1 | 3'-0" x 7'-0" | 1 3/4" | WALNUT | TEMP. | - | METAL | F3 | - | - | - | - | |
| 130 | OFFICE | D2 | 3'-0" x 7'-0" | 1 3/4" | WALNUT | TEMP. | - | METAL | F2 | - | - | - | - | |
| 131 | OFFICE | D1 | 3'-0" x 7'-0" | 1 3/4" | WALNUT | TEMP. | - | METAL | F3 | - | - | - | - | |
| 132 | OFFICE | D2 | 3'-0" x 7'-0" | 1 3/4" | WALNUT | TEMP. | - | METAL | F2 | - | - | - | - | |
| 133 | OFFICE | D1 | 3'-0" x 7'-0" | 1 3/4" | WALNUT | TEMP. | - | METAL | F3 | - | - | - | - | |
| 134 | OFFICE | D2 | 3'-0" x 7'-0" | 1 3/4" | WALNUT | TEMP. | - | METAL | EX | - | - | - | - | |
| 135 | OFFICE | D1 | 3'-0" x 7'-0" | 1 3/4" | WALNUT | TEMP. | - | METAL | EX | - | - | - | - | |
| 136 | OFFICE | D2 | 3'-0" x 7'-0" | 1 3/4" | WALNUT | TEMP. | - | METAL | EX | - | - | - | - | |
| 137 | OFFICE | D1 | 3'-0" x 7'-0" | 1 3/4" | WALNUT | TEMP. | - | METAL | EX | - | - | - | - | |
| 138 | OFFICE | D2 | 3'-0" x 7'-0" | 1 3/4" | WALNUT | TEMP. | - | METAL | EX | - | - | - | - | |
| 139 | OFFICE | D1 | 3'-0" x 7'-0" | 1 3/4" | WALNUT | TEMP. | - | METAL | EX | - | - | - | - | |
| 140 | OFFICE | D1 | 3'-0" x 7'-0" | 1 3/4" | WALNUT | TEMP. | - | METAL | EX | - | - | - | - | |
| 141A | EXIT | EX | 3'-0" x 7'-0" | 1 3/4" | - | - | - | METAL | EX | - | - | - | - | SAND AND PAINT-LEVER HARDWARE |
| 141B | EXIT | EX | 3'-0" x 7'-0" | 1 3/4" | - | - | - | METAL | EX | - | - | - | - | SAND AND PAINT- NEW HARDWARE - CARD READER, ELECTRIFIED EXIT DEVICE, REX. CLOSER |
| 142 | STORAGE | | NO DOOR THIS NUMBER | | | | | NO FRAME THIS NUMBER | | | | | | |
| 143A | CAFE ENTRY | D1 | 3'-0" x 7'-0" | 1 3/4" | WALNUT | TEMP. | - | METAL | F4 | - | - | - | - | SAND AND PAINT |
| 143B | NOT USED | | NO DOOR THIS NUMBER | | | | | NO FRAME THIS NUMBER | | | | | | |
| 143C | CAFE CLOSET | D5 | 3'-0" x 7'-0" | 1 3/4" | SOLID BIRCH | - | - | METAL | F1 | - | - | - | - | |
| 144 | STORAGE | EX | 3'-0" x 7'-0" | 1 3/4" | - | - | - | METAL | EX | - | - | - | - | SAND AND PAINT |
| 145 | STORAGE | D4 | 3'-0" x 7'-0" | 1 3/4" | - | - | - | METAL | EX | - | - | - | - | |
| 146 | NOT USED | | NO DOOR THIS NUMBER | | | | | NO FRAME THIS NUMBER | | | | | | |
| 147 | NOT USED | | NO DOOR THIS NUMBER | | | | | NO FRAME THIS NUMBER | | | | | | |
| 148 | OFFICE | D2 | 3'-0" x 7'-0" | 1 3/4" | WALNUT | TEMP. | - | METAL | F2 | - | - | - | - | |
| 149 | OFFICE | D1 | 3'-0" x 7'-0" | 1 3/4" | WALNUT | TEMP. | - | METAL | F3 | - | - | - | - | |
| 150 | OFFICE | D2 | 3'-0" x 7'-0" | 1 3/4" | WALNUT | TEMP. | - | METAL | F2 | - | - | - | - | |
| 151 | OFFICE | D2 | 3'-0" x 7'-0" | 1 3/4" | WALNUT | TEMP. | - | METAL | F2 | - | - | - | - | |
| 152 | OFFICE | D2 | 3'-0" x 7'-0" | 1 3/4" | WALNUT | TEMP. | - | METAL | F2 | - | - | - | - | |
| 153 | OFFICE | D2 | 3'-0" x 7'-0" | 1 3/4" | WALNUT | TEMP. | - | METAL | F2 | - | - | - | - | |
| 154 | OFFICE | D2 | 3'-0" x 7'-0" | 1 3/4" | WALNUT | TEMP. | - | METAL | F2 | - | - | - | - | |
| 155 | COPY EXIT | EX | 3'-0" x 7'-0" | 1 3/4" | - | - | - | METAL | EX | - | - | - | - | SAND AND PAINT- NEW HARDWARE - CARD READER, ELECTRIFIED EXIT DEVICE, REX. CLOSER |
| 156 | OFFICE | D1 | 3'-0" x 7'-0" | 1 3/4" | WALNUT | TEMP. | - | METAL | F3 | - | - | - | - | |
| 157 | NOT USED | | NO DOOR THIS NUMBER | | | | | NO FRAME THIS NUMBER | | | | | | |
| 158 | COFFEE | D4 | 3'-0" x 7'-0" | 1 3/4" | WALNUT | TEMP. | - | METAL | EX | - | - | - | - | |
| 159 | SERVER | EX | 3'-0" x 7'-0" | 1 3/4" | - | - | - | METAL | EX | - | - | - | - | PAINT- NEW HARDWARE, LOCKABLE |



DOOR ELEVATIONS
SCALE: 1/4" = 1'-0"



FRAME TYPES
SCALE: 1/4" = 1'-0"