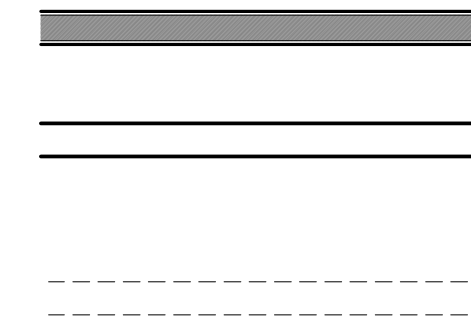


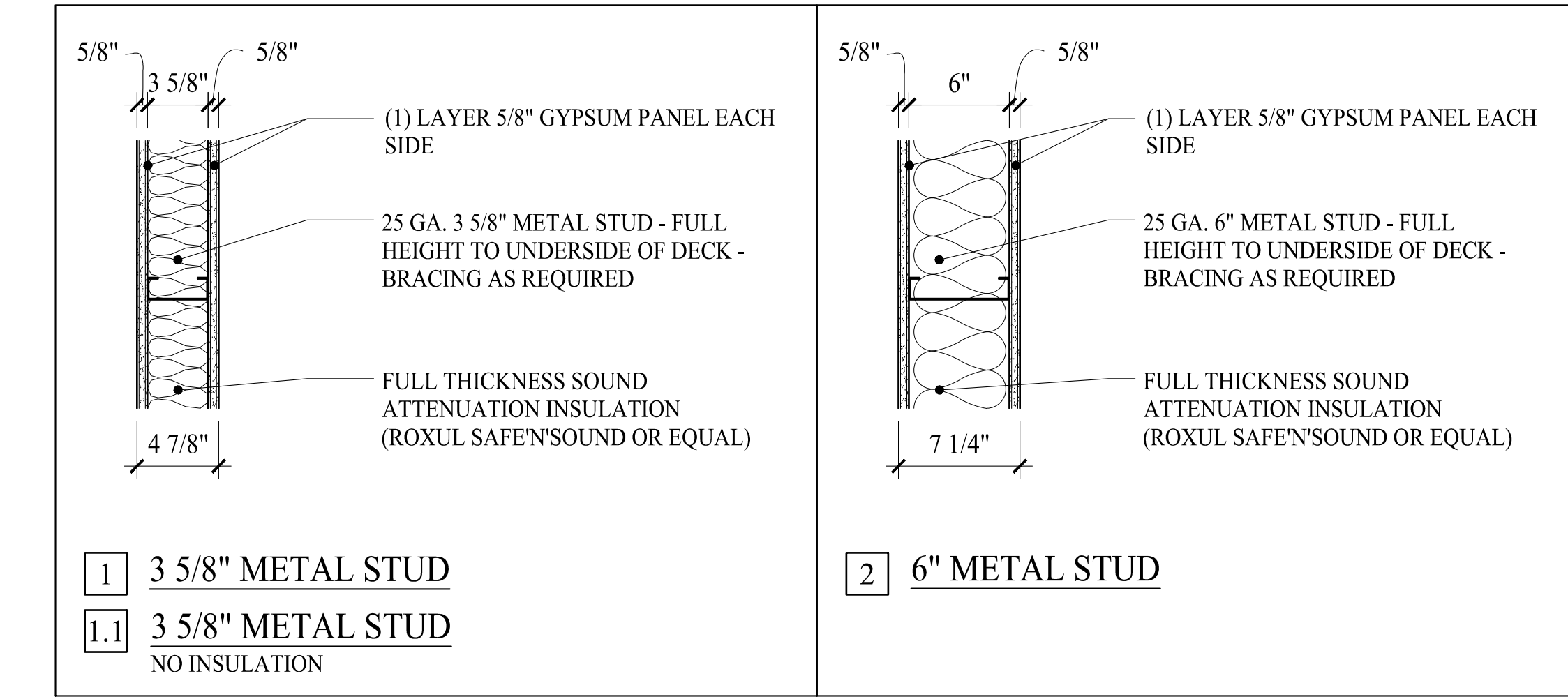
LEGEND

- NEW STUD WALL
- EXISTING STUD WALL
- EXISTING WALLS/DOORS/BORROWED LITES, ETC. TO BE REMOVED



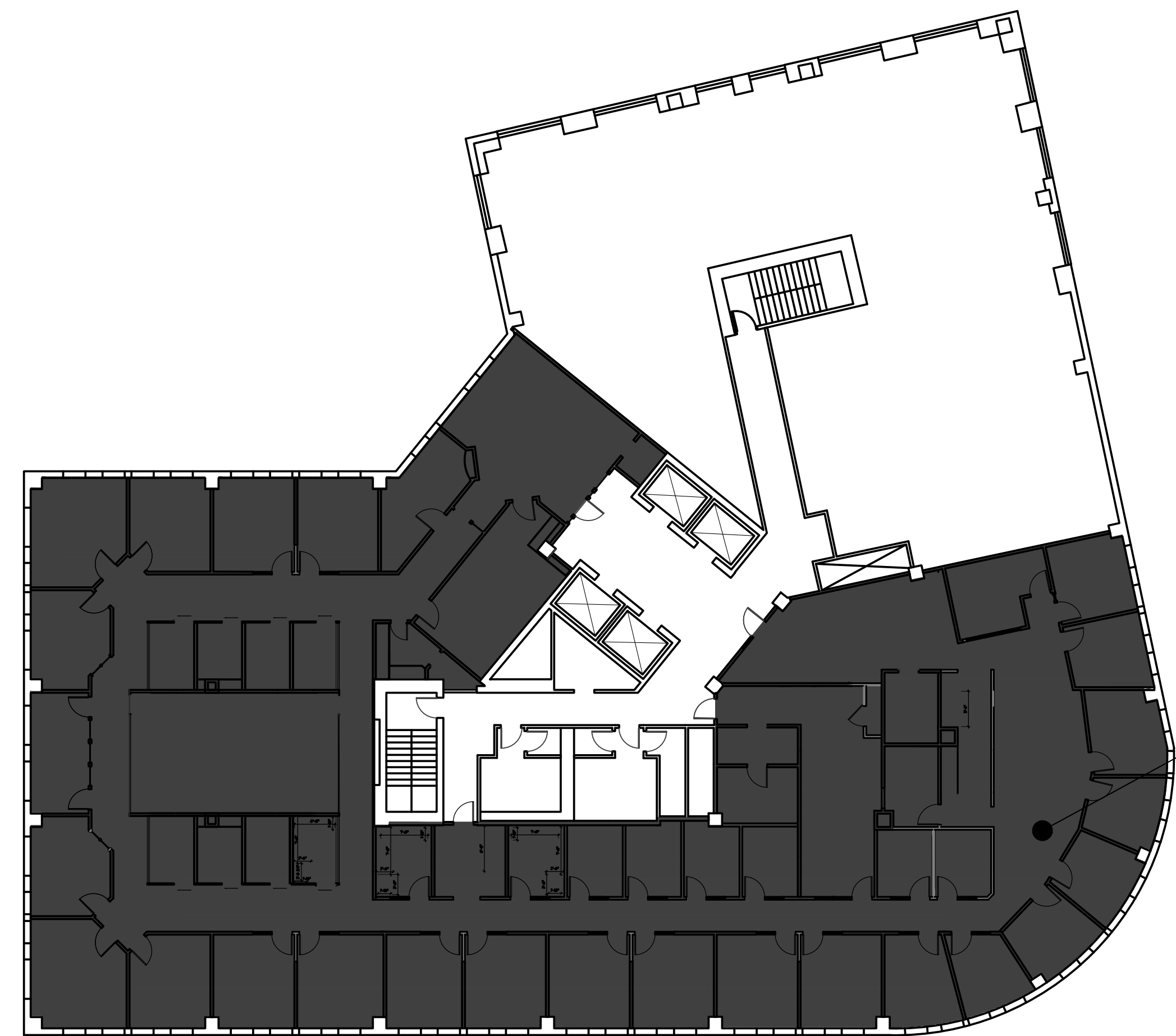
* INSTALL ALL MATERIALS PER MANUFACTURE REQUIREMENTS

* INSTALL ALL MATERIALS PER MANUFACTURE REQUIREMENTS



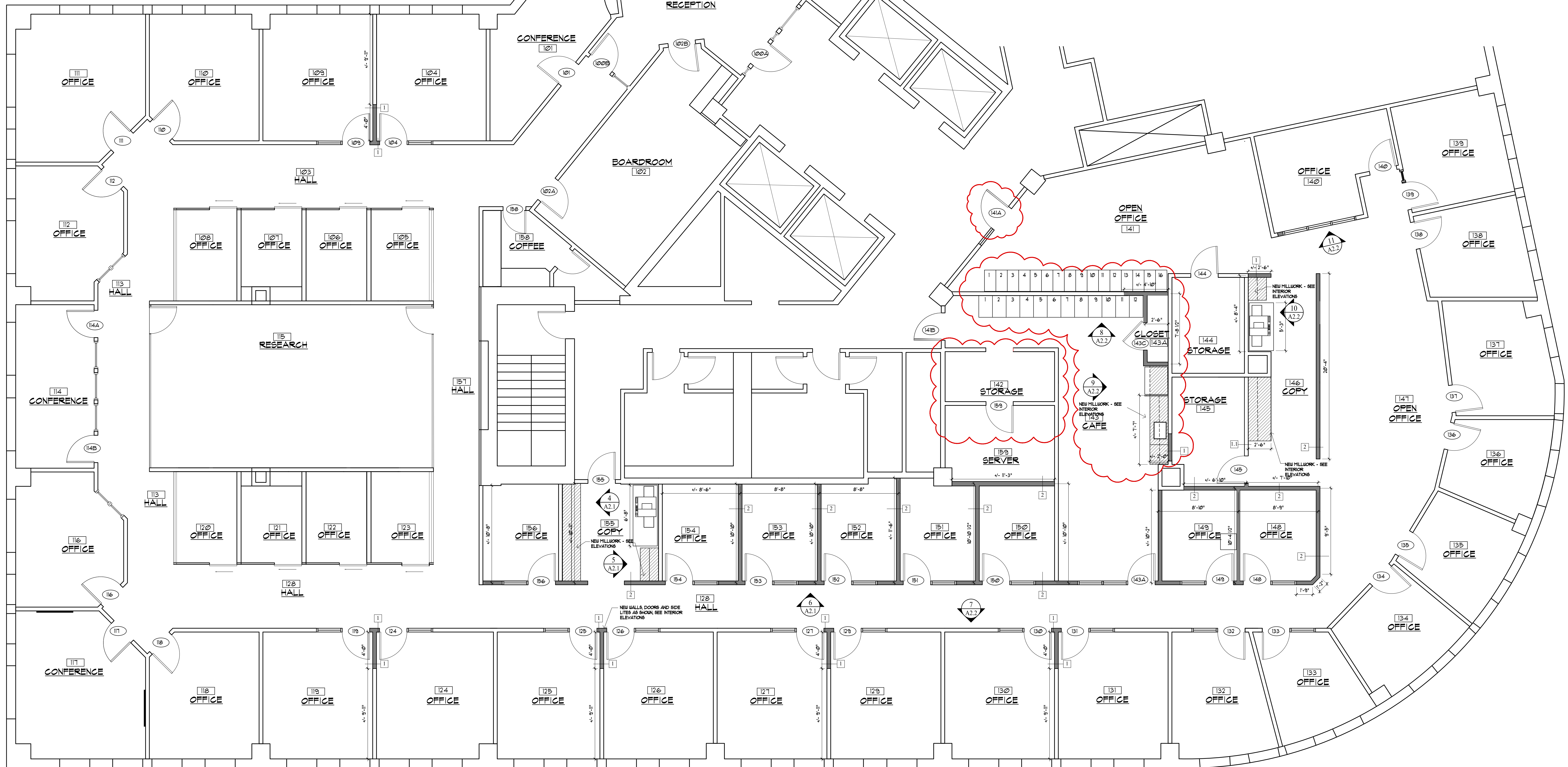
- 1 3 5/8" METAL STUD
- 1.1 3 5/8" METAL STUD NO INSULATION

- 2 6" METAL STUD



KEY PLAN
1/16"=1'-0"

AREA WORK
(SHADED)



PROPOSED FLOOR PLAN
SCALE: 1/4" = 1'-0"

REVISED: OCTOBER 02, 2017
PERMIT SET: JULY 14, 2017

REVISIONS	DATE
	MAY 2017
PROJECT	HM PAYSON
DRAWN BY	MSB
CHECK BY	MP