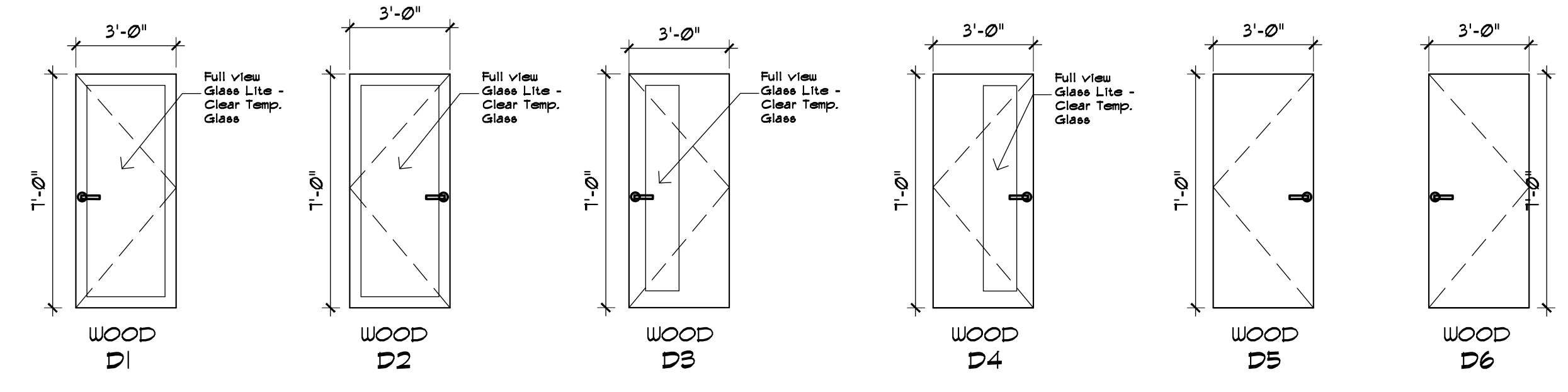


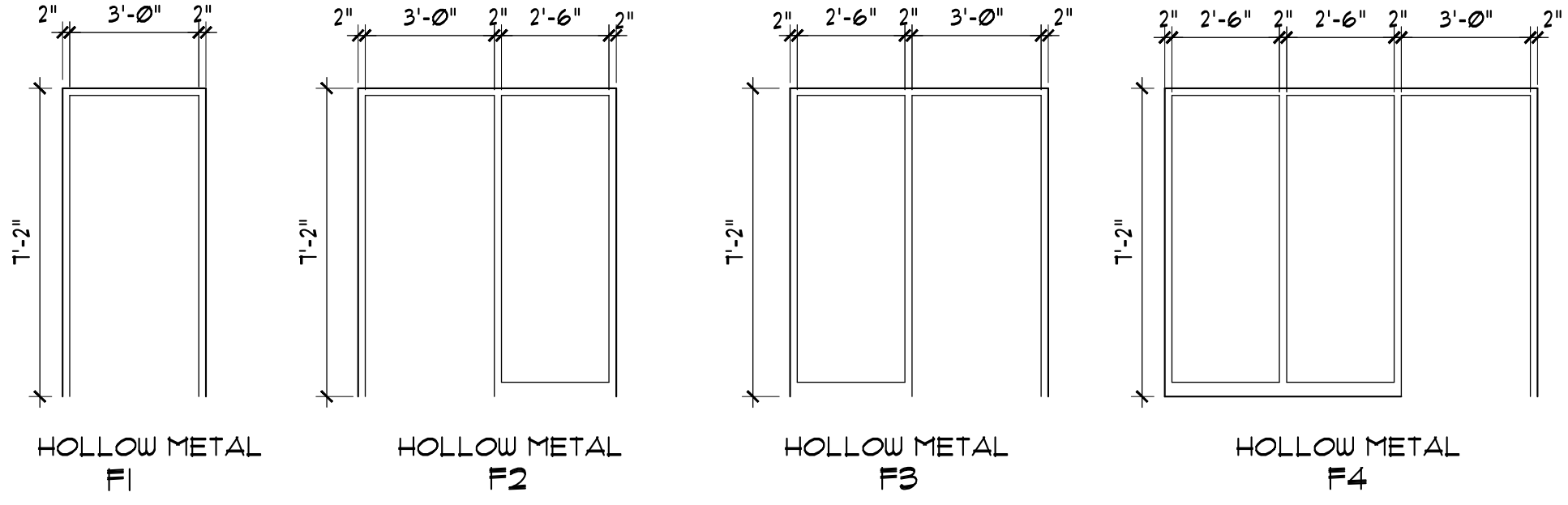
DOOR SCHEDULE												DOOR SCHEDULE ABBREVIATIONS			
ROOM	DOOR						FRAME					REMARKS			
NO.	NAME	TYPE	SIZE	THK.	MAT.	GLASS	RATING	MAT.	TYPE	GLL	RATING	HOW SET			
100A	RECEPTION	EX	-	-	-	-	-	-	-	-	-	-	STAINED TO MATCH WALNUT - CARD READER, ELECTRIFIED EXIT DEVICE, REX, CLOSER, REMOTE OPENING AT RECEPTION DESK 100		
100B	ENTRY	EX	-	-	-	-	-	-	-	-	-	-			
101	CONFERENCE	D4	3'-0" x 1'-0"	1.3/4"	WALNUT	TEMP.	-	METAL	EX	-	-	-			
102A	BOARD ROOM	D3	3'-0" x 1'-0"	1.3/4"	WALNUT	TEMP.	-	METAL	EX	-	-	-			
102B	BOARD ROOM	EX	3'-0" x 1'-0"	1.3/4"	-	-	-	-	-	-	-	-	SAND AND PAINT		
103	NOT USED	NO DOOR THIS NUMBER						NO FRAME THIS NUMBER							
104	OFFICE	D2	3'-0" x 1'-0"	-	-	-	-	METAL	F2	-	-	-			
105	OFFICE	N/A	3'-0" x 1'-0"	-	-	-	-	-	-	-	-	-			
106	OFFICE	N/A	3'-0" x 1'-0"	-	-	-	-	-	-	-	-	-			
107	OFFICE	N/A	3'-0" x 1'-0"	-	-	-	-	-	-	-	-	-			
108	OFFICE	N/A	3'-0" x 1'-0"	-	-	-	-	-	-	-	-	-			
109	OFFICE	D1	3'-0" x 1'-0"	1.3/4"	WALNUT	TEMP.	-	METAL	F3	-	-	-			
110	OFFICE	D2	3'-0" x 1'-0"	1.3/4"	WALNUT	TEMP.	-	METAL	EX	-	-	-			
111	OFFICE	D1	3'-0" x 1'-0"	1.3/4"	WALNUT	TEMP.	-	METAL	EX	-	-	-			
112	OFFICE	D1	3'-0" x 1'-0"	1.3/4"	WALNUT	TEMP.	-	METAL	EX	-	-	-			
113	NOT USED	NO DOOR THIS NUMBER						NO FRAME THIS NUMBER							
114A	CONFERENCE	D1	3'-0" x 1'-0"	1.3/4"	WALNUT	TEMP.	-	METAL	EX	-	-	-			
114B	CONFERENCE	D2	3'-0" x 1'-0"	1.3/4"	WALNUT	TEMP.	-	METAL	EX	-	-	-			
115	NOT USED	NO DOOR THIS NUMBER						NO FRAME THIS NUMBER							
116	OFFICE	D2	3'-0" x 1'-0"	1.3/4"	WALNUT	TEMP.	-	METAL	EX	-	-	-			
117	CONFERENCE	D2	3'-0" x 1'-0"	1.3/4"	WALNUT	TEMP.	-	METAL	EX	-	-	-			
118	OFFICE	D1	3'-0" x 1'-0"	1.3/4"	WALNUT	TEMP.	-	METAL	EX	-	-	-			
119	OFFICE	D2	3'-0" x 1'-0"	1.3/4"	WALNUT	TEMP.	-	METAL	F2	-	-	-			
120	OFFICE	N/A	-	-	-	-	-	-	-	-	-	-			
121	OFFICE	N/A	-	-	-	-	-	-	-	-	-	-			
122	OFFICE	N/A	-	-	-	-	-	-	-	-	-	-			
123	OFFICE	N/A	-	-	-	-	-	-	-	-	-	-			
124	OFFICE	D1	3'-0" x 1'-0"	1.3/4"	WALNUT	TEMP.	-	METAL	F3	-	-	-			
125	OFFICE	D2	3'-0" x 1'-0"	1.3/4"	WALNUT	TEMP.	-	METAL	F2	-	-	-			
126	OFFICE	D1	3'-0" x 1'-0"	1.3/4"	WALNUT	TEMP.	-	METAL	F3	-	-	-			
127	OFFICE	D2	3'-0" x 1'-0"	1.3/4"	WALNUT	TEMP.	-	METAL	F2	-	-	-			
128	NOT USED	NO DOOR THIS NUMBER						NO FRAME THIS NUMBER							
129	OFFICE	D1	3'-0" x 1'-0"	1.3/4"	WALNUT	TEMP.	-	METAL	F3	-	-	-			
130	OFFICE	D2	3'-0" x 1'-0"	1.3/4"	WALNUT	TEMP.	-	METAL	F2	-	-	-			
131	OFFICE	D1	3'-0" x 1'-0"	1.3/4"	WALNUT	TEMP.	-	METAL	F3	-	-	-			
132	OFFICE	D2	3'-0" x 1'-0"	1.3/4"	WALNUT	TEMP.	-	METAL	F2	-	-	-			
133	OFFICE	D1	3'-0" x 1'-0"	1.3/4"	WALNUT	TEMP.	-	METAL	F3	-	-	-			
134	OFFICE	D2	3'-0" x 1'-0"	1.3/4"	WALNUT	TEMP.	-	METAL	EX	-	-	-			
135	OFFICE	D1	3'-0" x 1'-0"	1.3/4"	WALNUT	TEMP.	-	METAL	EX	-	-	-			
136	OFFICE	D2	3'-0" x 1'-0"	1.3/4"	WALNUT	TEMP.	-	METAL	EX	-	-	-			
137	OFFICE	D1	3'-0" x 1'-0"	1.3/4"	WALNUT	TEMP.	-	METAL	EX	-	-	-			
138	OFFICE	D2	3'-0" x 1'-0"	1.3/4"	WALNUT	TEMP.	-	METAL	EX	-	-	-			
139	OFFICE	D1	3'-0" x 1'-0"	1.3/4"	WALNUT	TEMP.	-	METAL	EX	-	-	-			
140	OFFICE	D1	3'-0" x 1'-0"	1.3/4"	WALNUT	TEMP.	-	METAL	F1	-	-	-			
141A	EXIT	EX	3'-0" x 1'-0"	1.3/4"	-	-	-	METAL	EX	-	-	-	SAND AND PAINT-LEVER HARDWARE		
141B	EXIT	EX	3'-0" x 1'-0"	1.3/4"	-	-	-	METAL	EX	-	-	-	SAND AND PAINT- NEW HARDWARE - CARD READER, ELECTRIFIED EXIT DEVICE, REX, CLOSER		
142	SERVER	EX	3'-0" x 1'-0"	1.3/4"	-	-	-	-	-	-	-	-	SAND AND PAINT		
143A	CAFE ENTRY	D1	3'-0" x 1'-0"	1.3/4"	WALNUT	TEMP.	-	METAL	F4	-	-	-			
143B	CAFE ENTRY	D3	3'-0" x 1'-0"	1.3/4"	-	-	-	METAL	F1	-	-	-			
143C	CAFE CLOSET	D8	3'-0" x 1'-0"	1.3/4"	SOLID BIRCH	-	-	METAL	F1	-	-	-			
144	STORAGE	EX	3'-0" x 1'-0"	1.3/4"	-	-	-	METAL	EX	-	-	-	SAND AND PAINT		
145	STORAGE	D4	3'-0" x 1'-0"	1.3/4"	-	-	-	METAL	F1	-	-	-			
146	NOT USED	NO DOOR THIS NUMBER						NO FRAME THIS NUMBER							
147	NOT USED	NO DOOR THIS NUMBER						NO FRAME THIS NUMBER							
148	OFFICE	D2	3'-0" x 1'-0"	1.3/4"	WALNUT	TEMP.	-	METAL	F2	-	-	-			
149	OFFICE	D1	3'-0" x 1'-0"	1.3/4"	WALNUT	TEMP.	-	METAL	F3	-	-	-			
150	OFFICE	D2	3'-0" x 1'-0"	1.3/4"	WALNUT	TEMP.	-	METAL	F2	-	-	-			
151	OFFICE	D2	3'-0" x 1'-0"	1.3/4"	WALNUT	TEMP.	-	METAL	F2	-	-	-			
152	OFFICE	D2	3'-0" x 1'-0"	1.3/4"	WALNUT	TEMP.	-	METAL	F2	-	-	-			
153	OFFICE	D2	3'-0" x 1'-0"	1.3/4"	WALNUT	TEMP.	-	METAL	F2	-	-	-			
154	OFFICE	D2	3'-0" x 1'-0"	1.3/4"	WALNUT	TEMP.	-	METAL	F2	-	-	-			
155	COPY EXIT	EX	3'-0" x 1'-0"	1.3/4"	-	-	-	METAL	EX	-	-	-	SAND AND PAINT- NEW HARDWARE - CARD READER, ELECTRIFIED EXIT DEVICE, REX, CLOSER		
156	OFFICE	D1	3'-0" x 1'-0"	1.3/4"	WALNUT	TEMP.	-	METAL	F3	-	-	-			
157	NOT USED	NO DOOR THIS NUMBER						NO FRAME THIS NUMBER							
158	COFFEE	D4	3'-0" x 1'-0"	1.3/4"	WALNUT	TEMP.	-	METAL	EX	-	-	-			

GENERAL NOTES: DOORS & HARDWARE

- DOORS FRAMES AND HARDWARE, G.C TO COORDINATE WITH BDC, KAYCO SUPPLY CO
- INTERIOR WOOD DOORS AND METAL FRAMES
A. NEW WALNUT CUSTOM COLOR DOORS TO BE STAINED/ EXISTING DOORS TO BE PAINTED AS NOTED.
B. 3/4" WELDED HOLLOW METAL FRAMES - PAINTED (REFER TO FINISH SCHEDULE).
- CUSTOM STAINED WOOD GLASS STOP AT DOOR LITES TO BE SQUARE AND FLUSH WITH DOOR FRAME.
- INTERIOR LM DOOR FRAMES:
PAINTED - REFER TO FINISH SCHEDULE)
- ALL HARDWARE SHALL COMPLY WITH A.D.A. REQUIREMENTS AND STANDARDS.
- ALL DOORS SHALL HAVE LEVER HANDLE.
- HARDWARE FINISH - US360 "CHROME PLATED, DULL"
- CONTRACTOR TO FIELD VERIFY ALL OPENINGS BEFORE FABRICATION.
- GLAZING GLASS A - CLEAR TEMPERED GLASS, REFER TO MANUFACTURER FOR SAFETY GLAZING.
- CLOSET DOORS, LATCHES SHALL BE ABLE TO OPEN FROM INSIDE THE CLOSET.



DOOR ELEVATIONS
SCALE: 1/4" = 1'-0"



FRAME TYPES
SCALE: 1/4" = 1'-0"