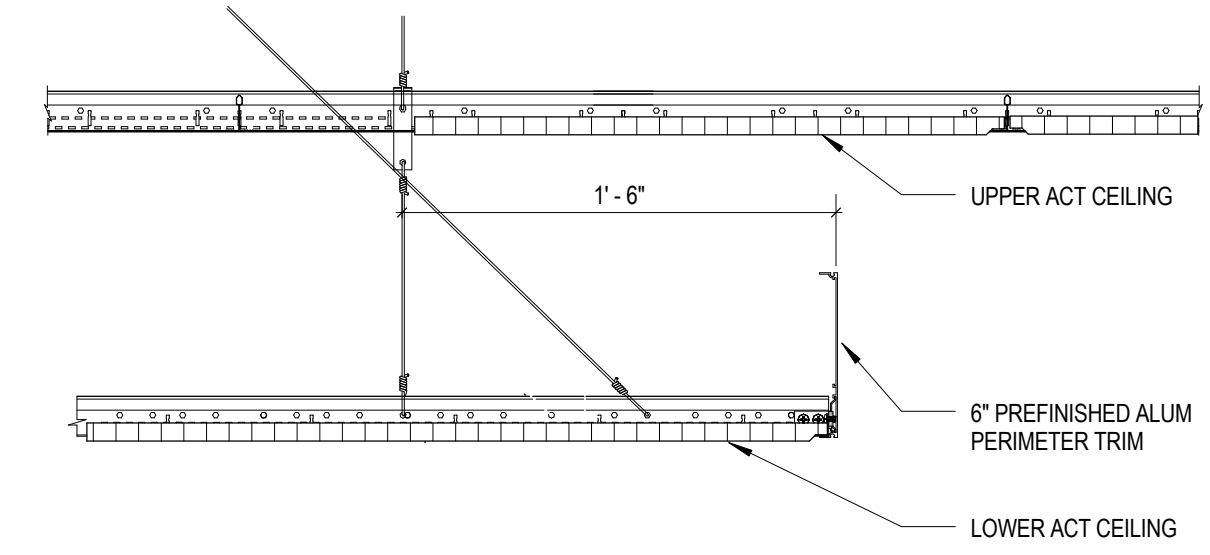
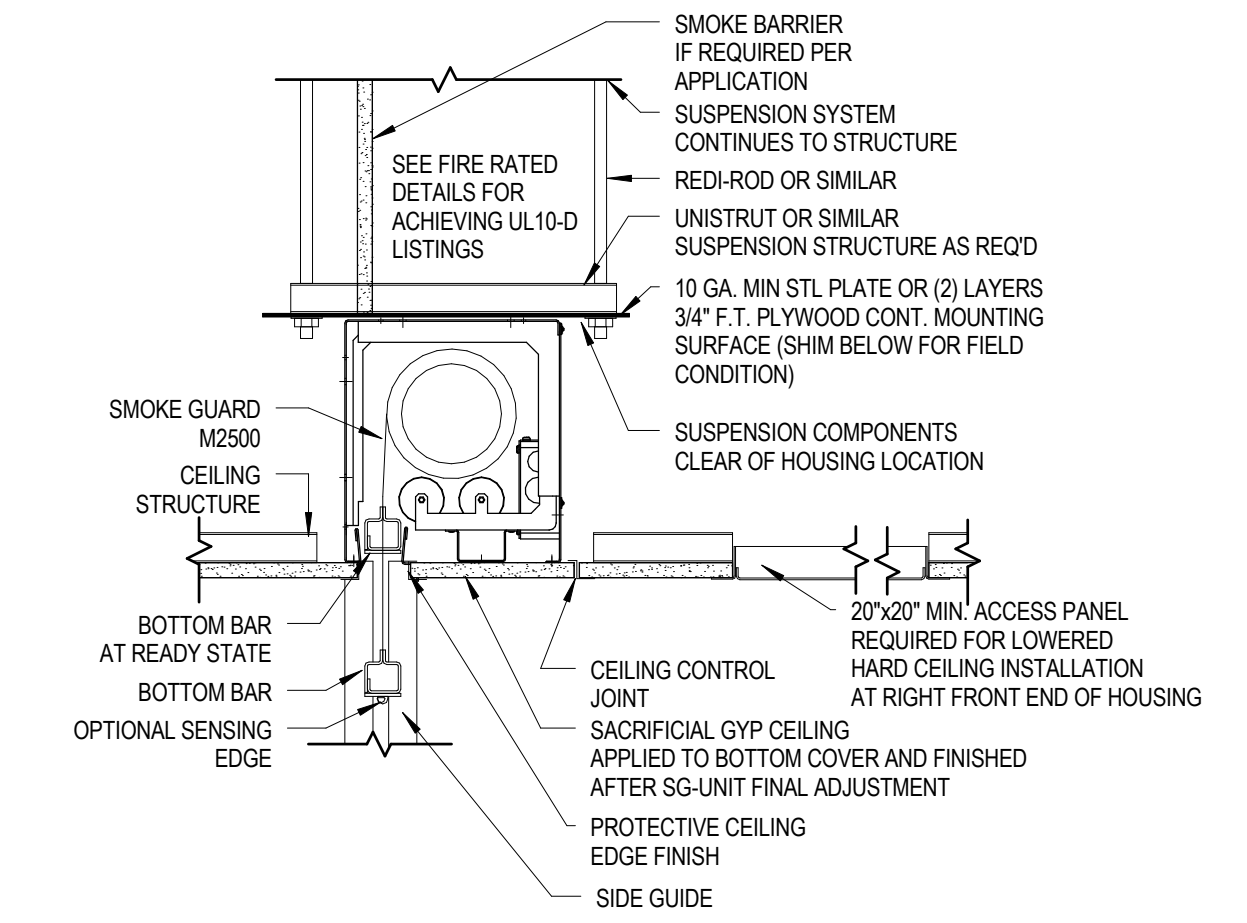


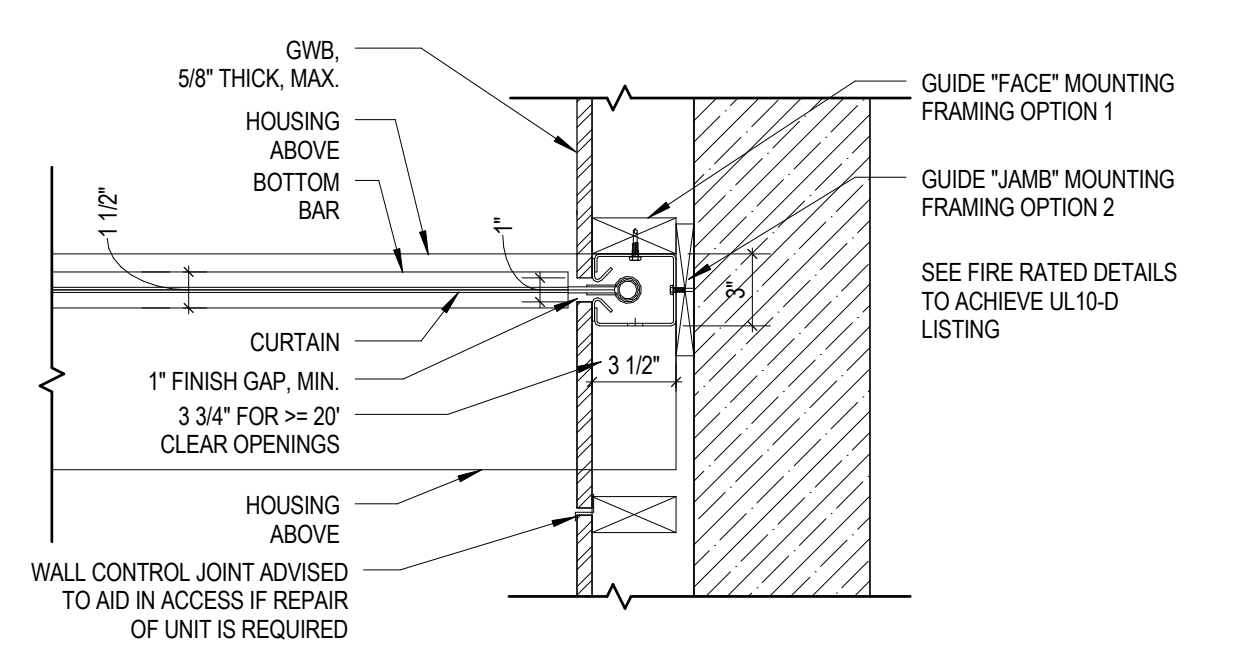
13 LONGITUDINAL DTL @ ARCHED WOOD CEILING
 1 1/2" = 1'-0"



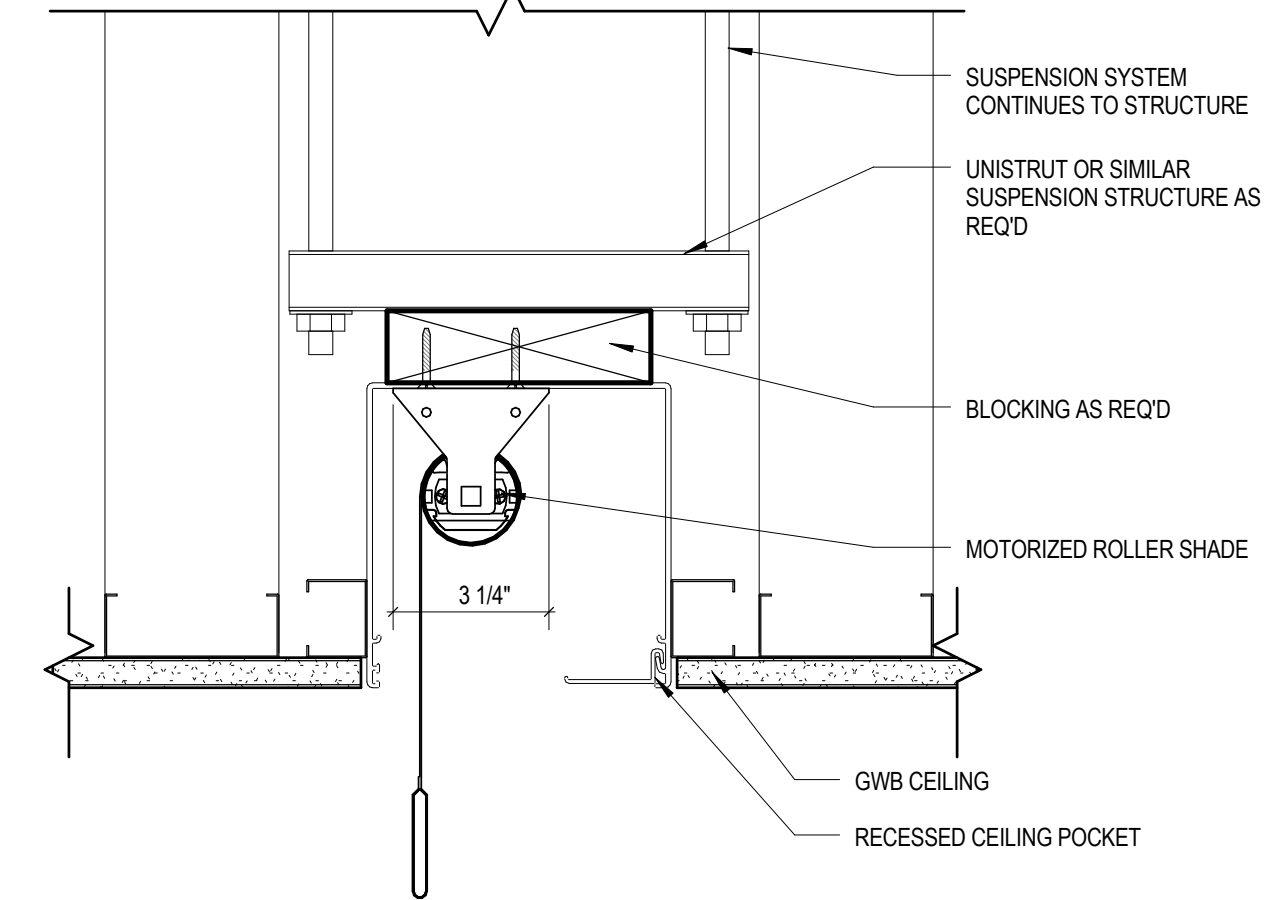
14 OPEN ACT PERIMETER TRIM DETAIL
 1 1/2" = 1'-0"



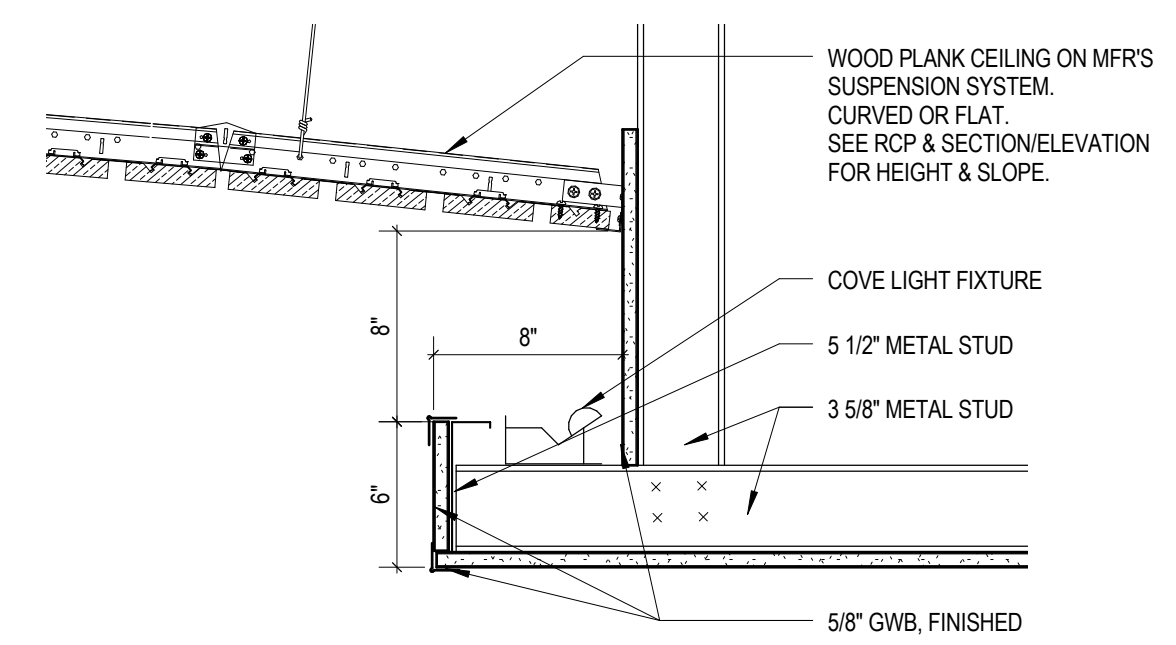
9 ROLL DOWN SMOKE SCREEN HEAD DETAIL
 1 1/2" = 1'-0"



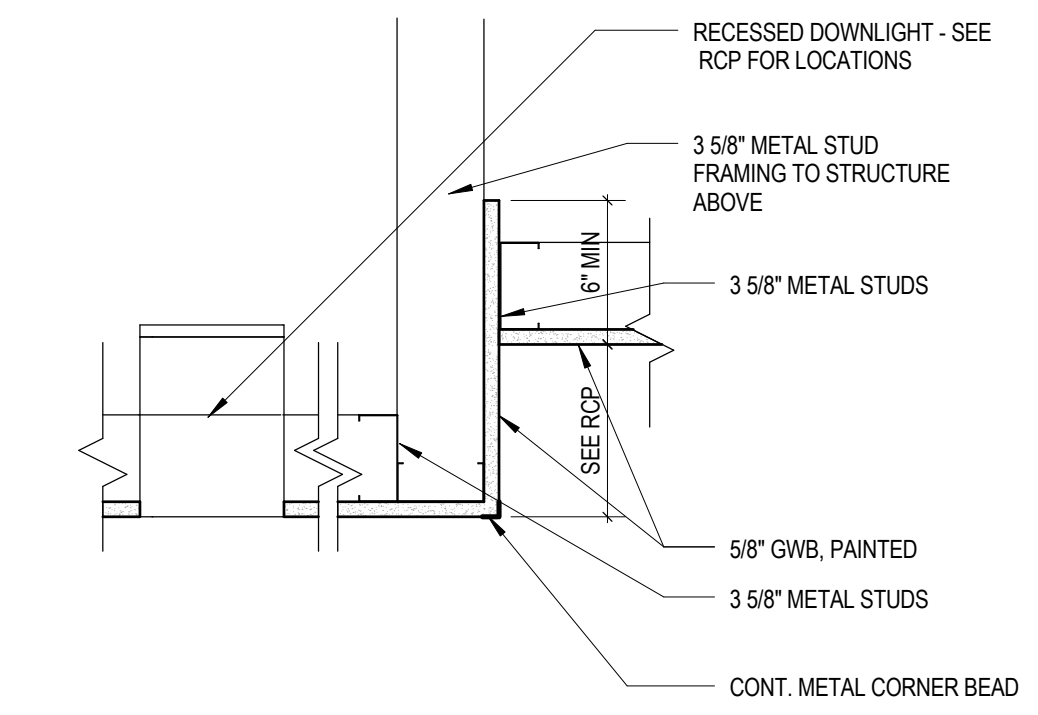
10 ROLL DOWN SMOKE SCREEN JAMB DETAIL
 1 1/2" = 1'-0"



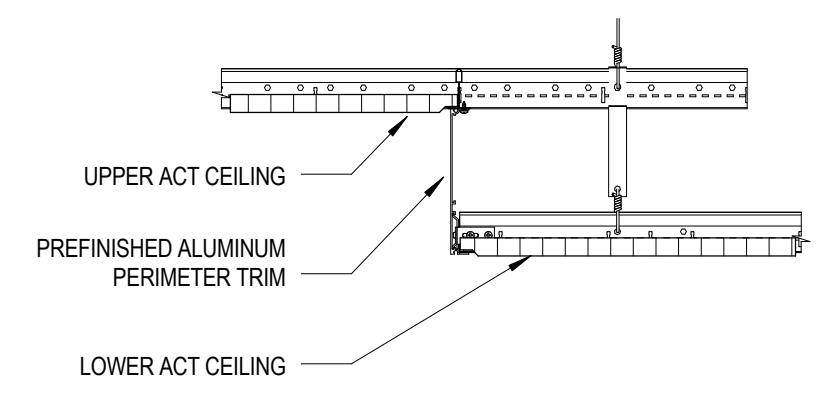
11 ROLLER SHADE RECESSED POCKET DETAIL
 3' = 1'-0"



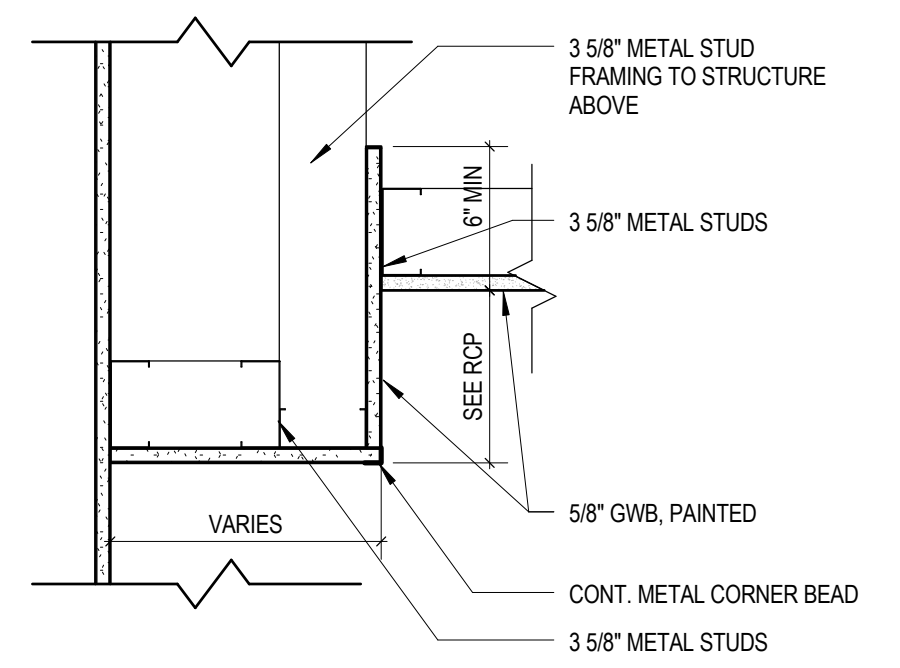
12 LIGHT COVE DTL @ WOOD CLG
 1 1/2" = 1'-0"



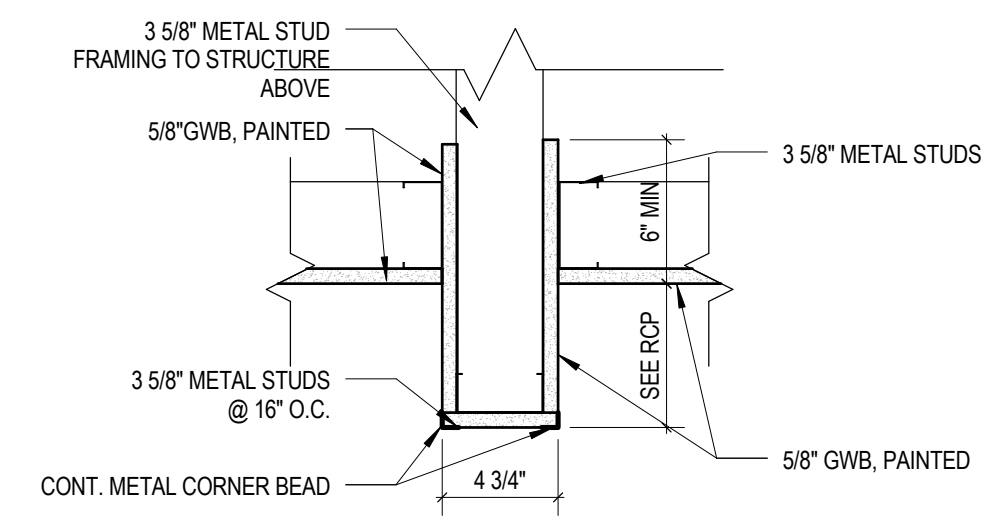
5 RECESSED CAN SOFFIT DETAIL
 1 1/2" = 1'-0"



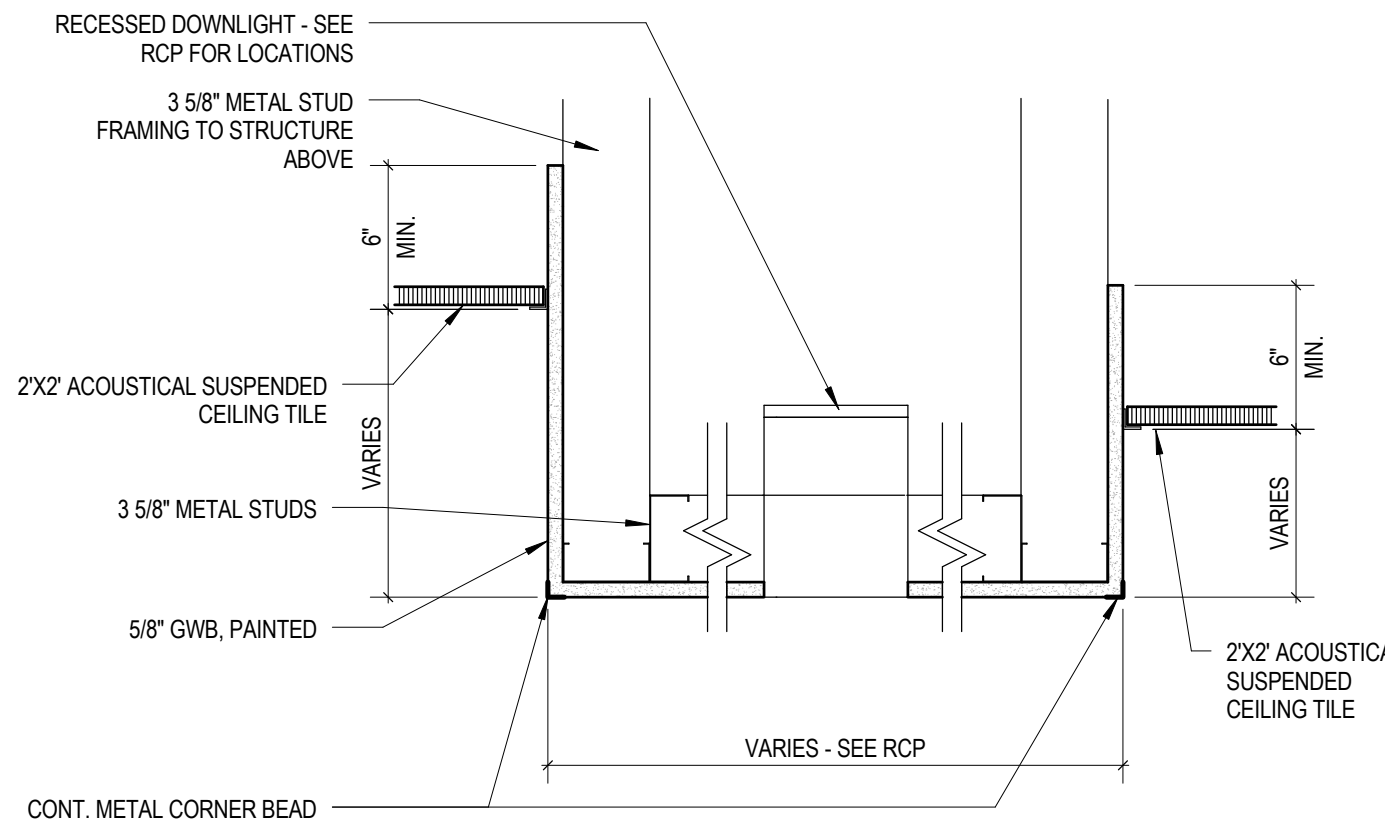
6 CLOSED ACT PERIMETER TRIM DETAIL
 1 1/2" = 1'-0"



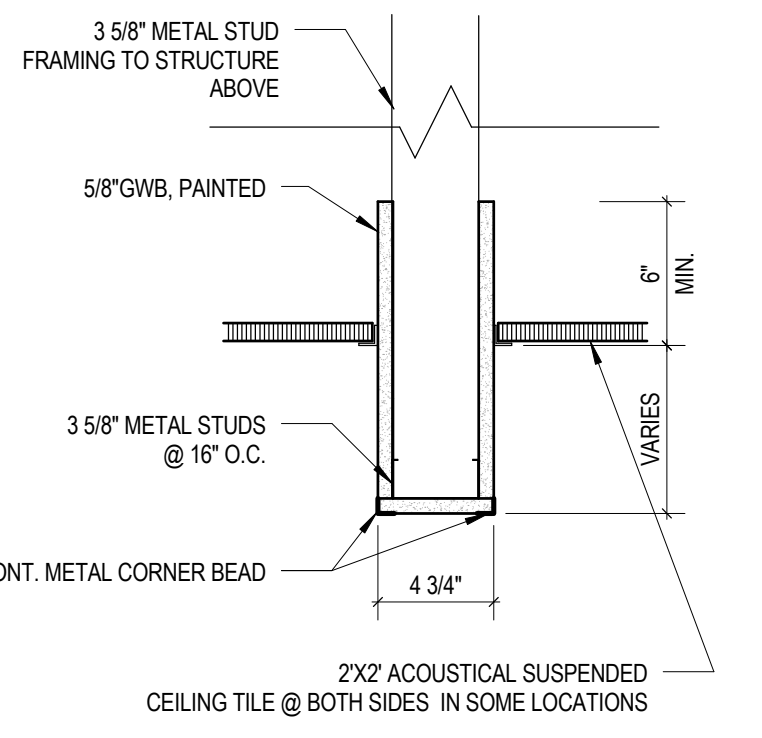
7 SOFFIT DETAIL
 1 1/2" = 1'-0"



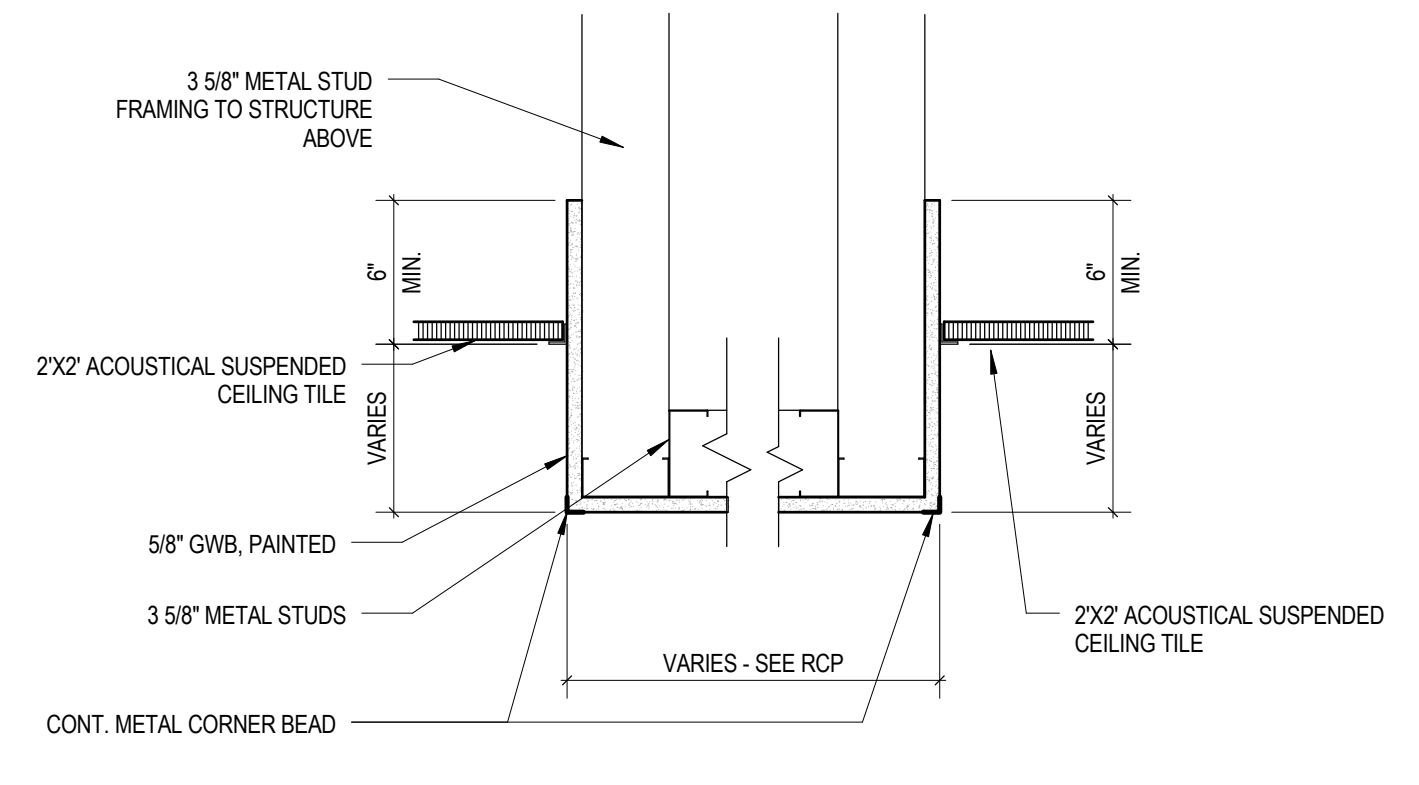
8 TRANSITION SOFFIT DETAIL
 1 1/2" = 1'-0"



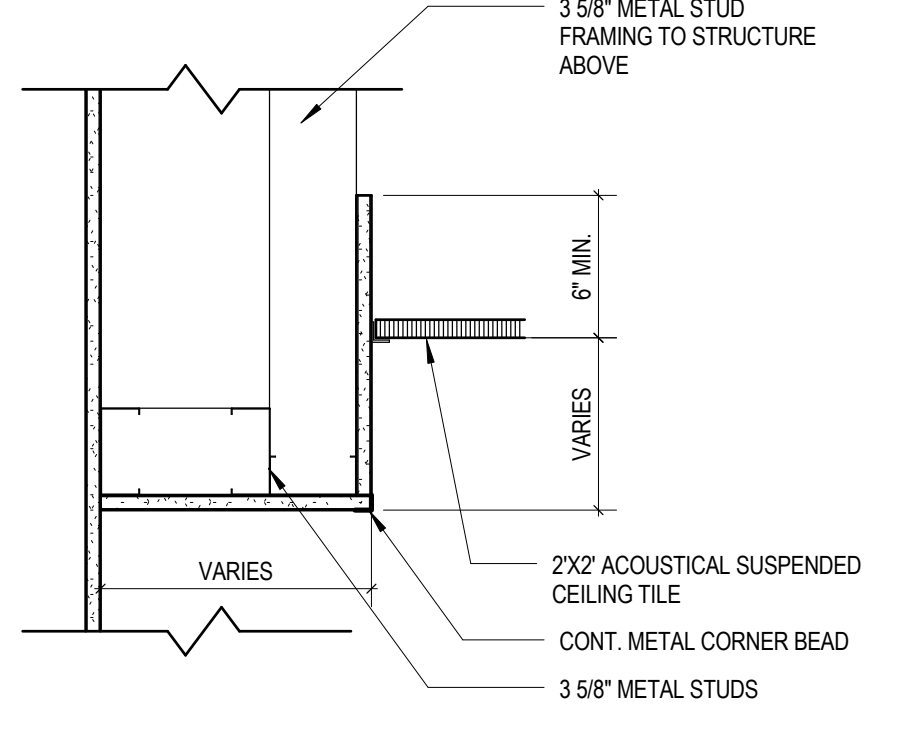
1 RECESSED CAN TRANSITION SOFFIT ACT CEILING DETAIL
 1 1/2" = 1'-0"



2 GWB TRANSITION ACT CEILING DETAIL
 1 1/2" = 1'-0"



3 WIDE SOFFIT ACT CEILING DETAIL
 1 1/2" = 1'-0"



4 SOFFIT ACT CEILING DETAIL
 1 1/2" = 1'-0"

THIS DRAWING IS THE PROPERTY OF CANAL 5 STUDIO AND IS NOT TO BE COPIED OR REPRODUCED IN PART OR WHOLE. 2014 © CANAL 5 STUDIO

Mark	Date	Description
------	------	-------------

Project Status
**ISSUED FOR
 CONSTRUCTION**
 SEPTEMBER 21, 2016

Drawing Title
CEILING DETAILS
 Scale: As indicated
 Drawing Number

A71.1