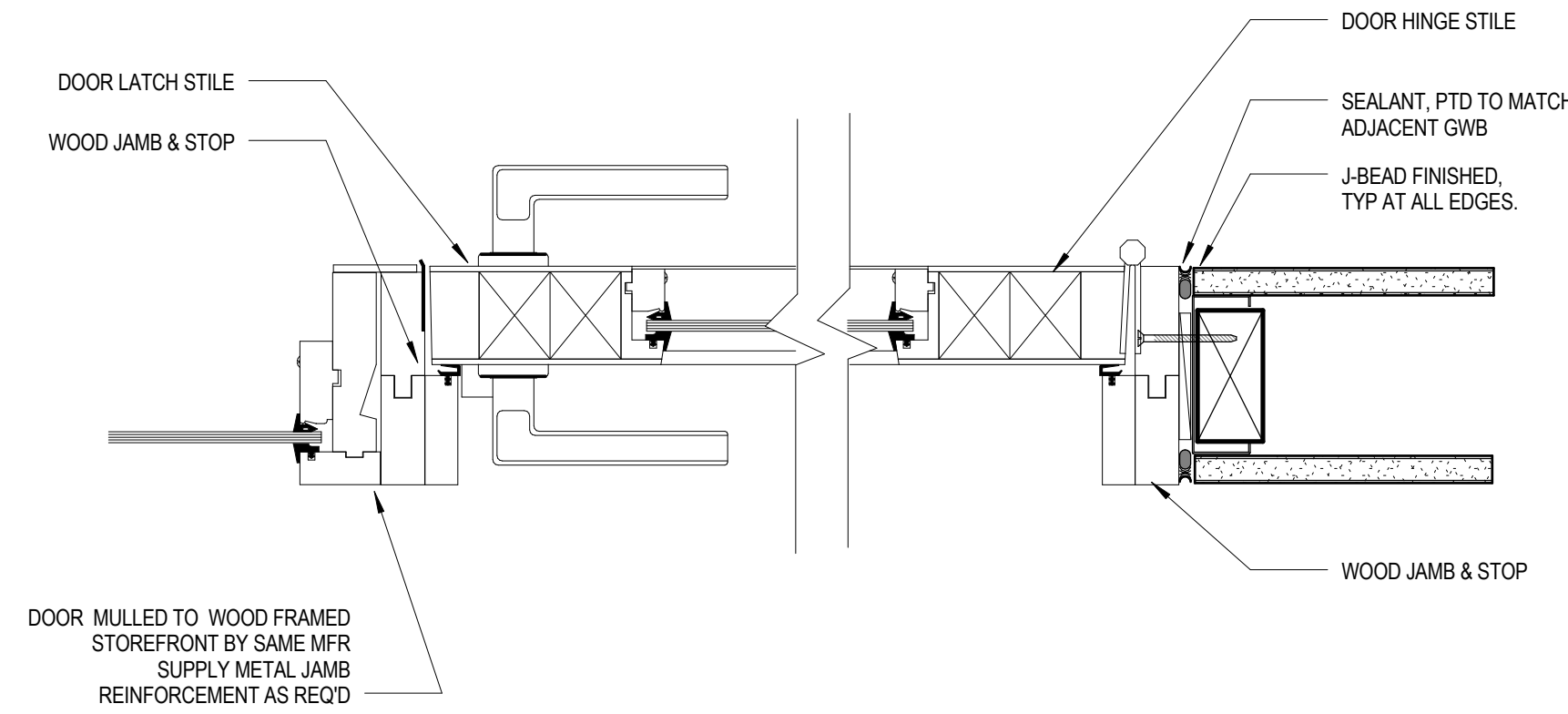
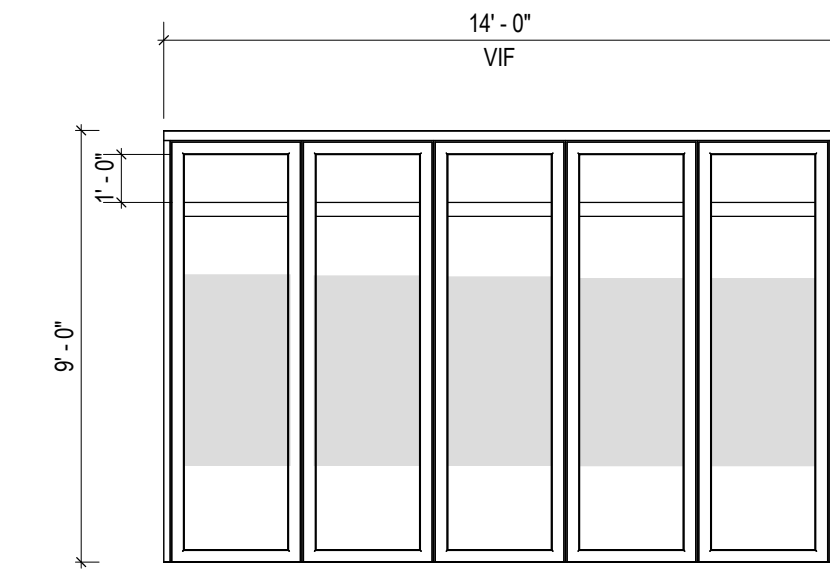


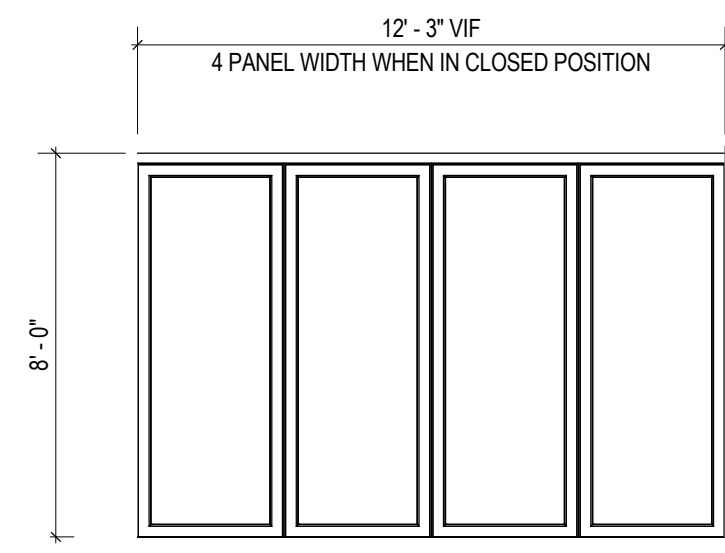
13 JAMB DTL @ FOLDING DOOR 10-01D
1/12" = 1'-0"



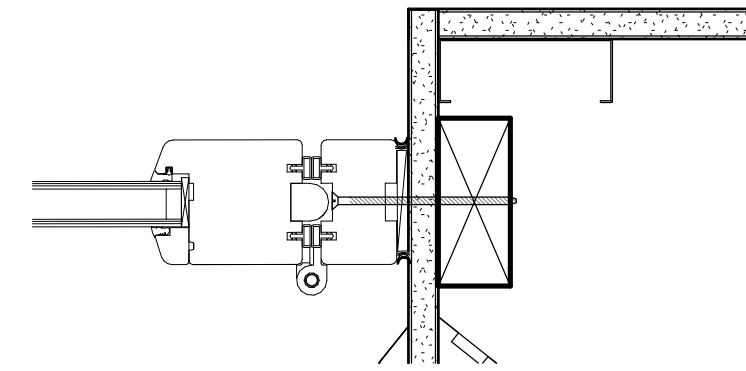
6 WOOD FRAME JAMB DTL
3" = 1'-0"



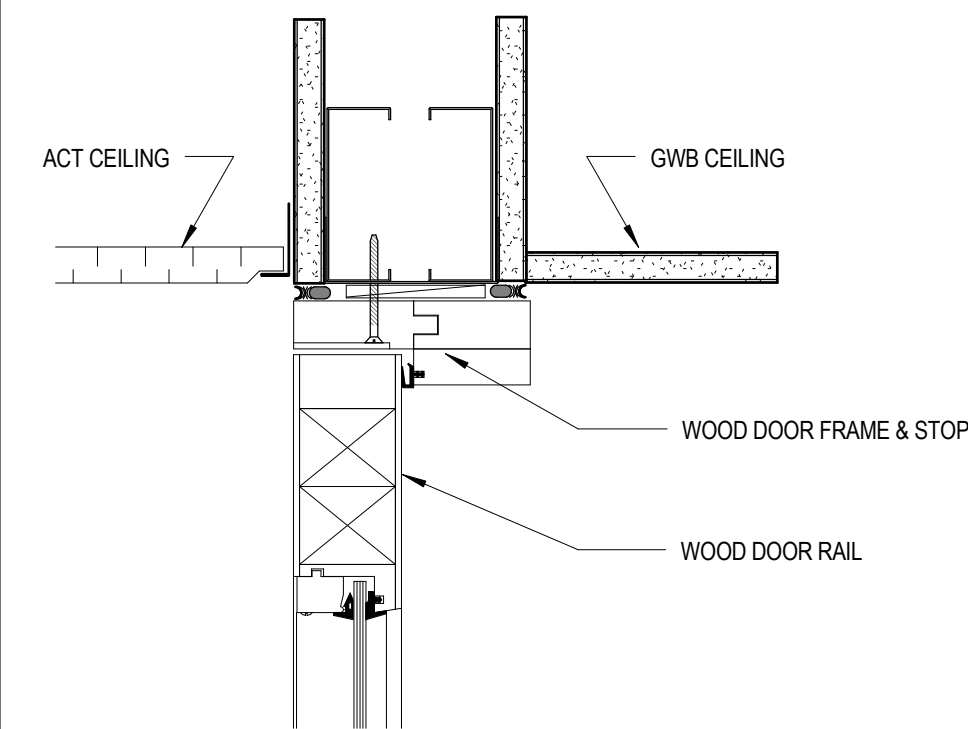
2 ELEVATION @ FOLDING DOOR 995C
1/4" = 1'-0"



12 ELEVATION @ FOLDING DOOR 10-01D
1/4" = 1'-0"

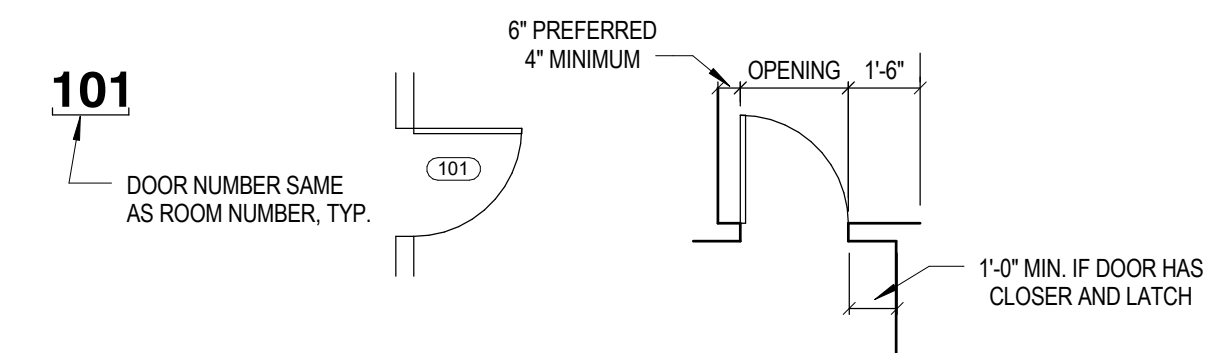


9 JAMB DTL @ FOLDING DOOR 995C
3" = 1'-0"



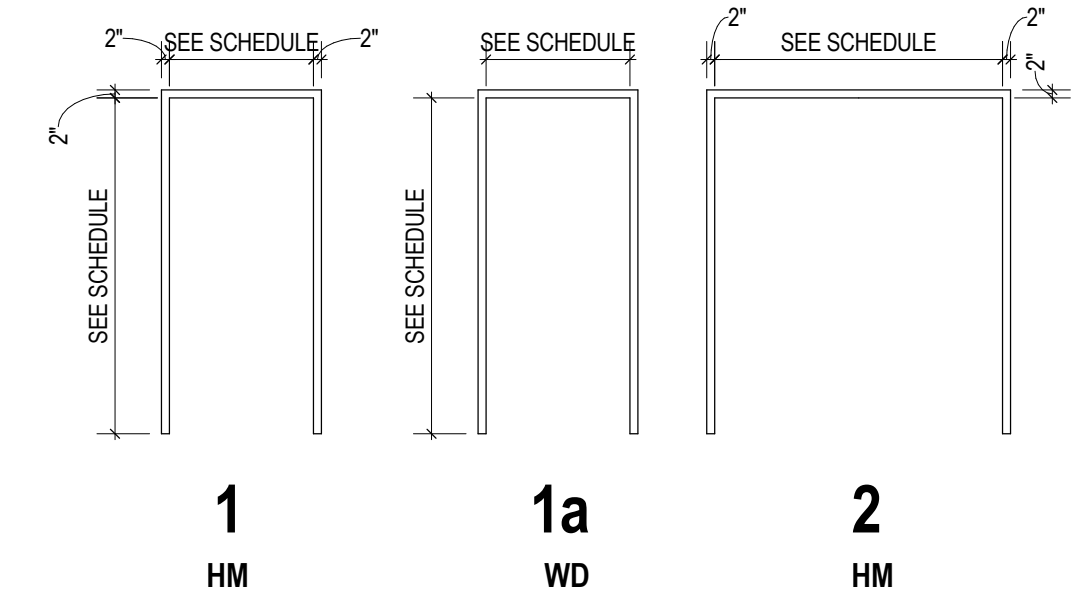
5 WOOD FRAME HEAD DTL
3" = 1'-0"

DOOR PLAN DESIGNATION

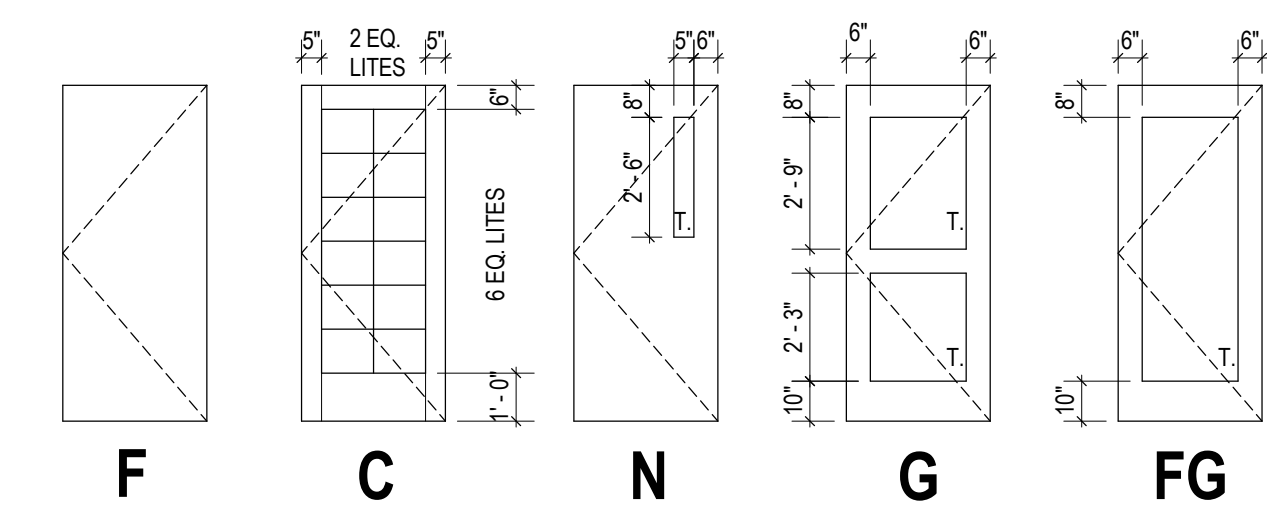


DOOR OPENING LOCATION
A. DOORS SHOWN ADJACENT TO A FLANKING WALL OR OTHER FIXED OBSTRUCTION, SHALL BE LOCATED AS SHOWN ABOVE UNLESS NOTED OTHERWISE.

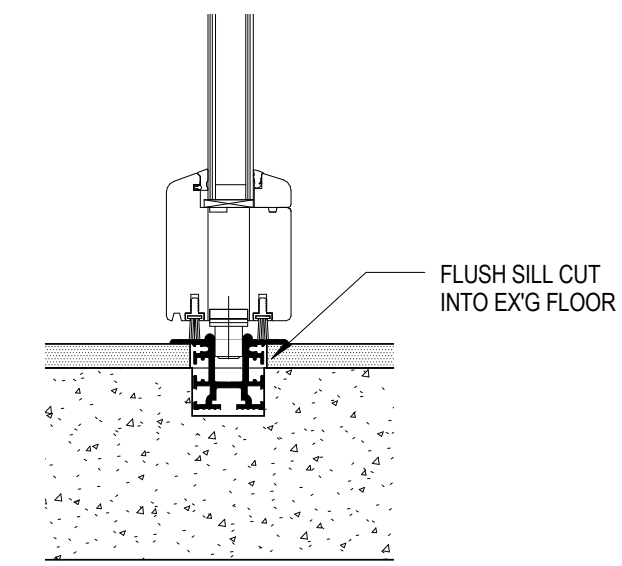
FRAME TYPES



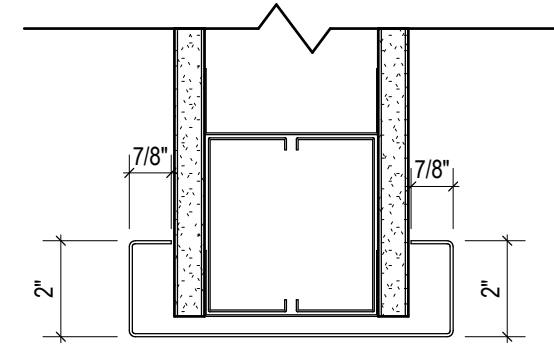
DOOR TYPES



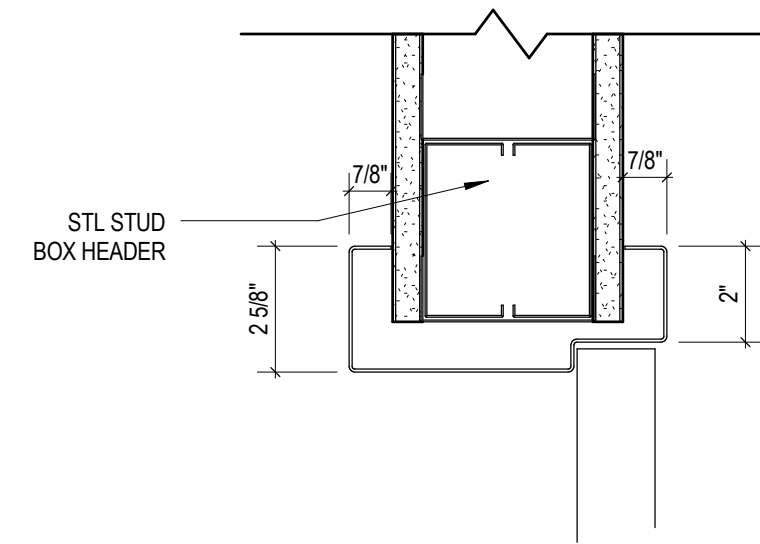
T. = TEMPERED SAFETY GLASS



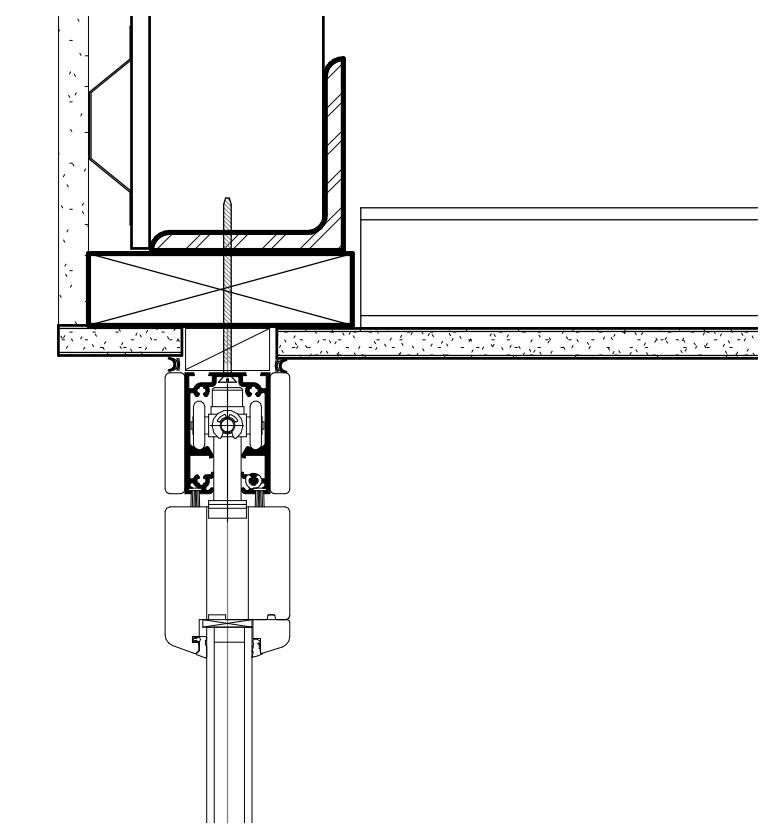
11 SILL DTL @ FOLDING DOOR
3" = 1'-0"



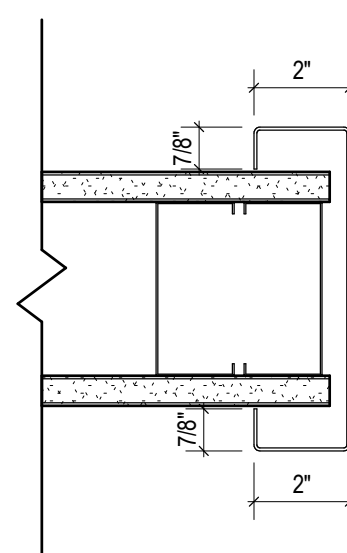
8 HM HEAD DETAIL - CASED OPENING
3" = 1'-0"



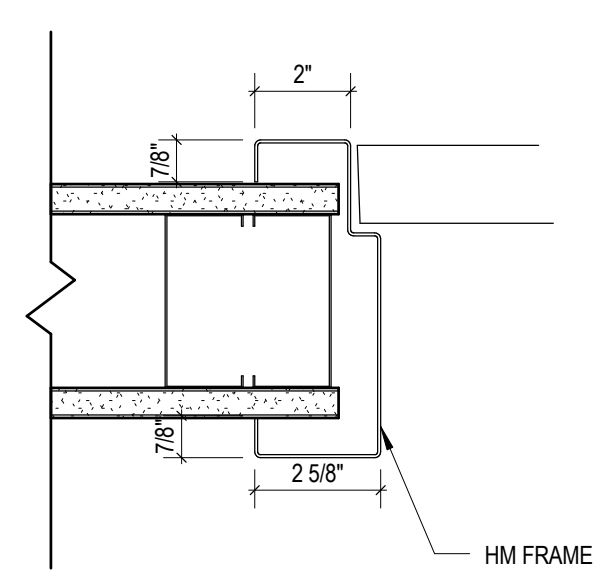
4 HM HEAD DETAIL
3" = 1'-0"



10 HEAD DTL @ FOLDING DOOR 995C
3" = 1'-0" DOOR 10-01D SIMILAR

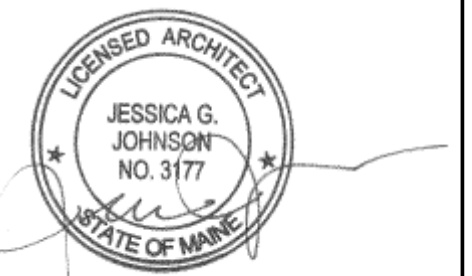


7 HM JAMB DETAIL - CASED OPENING
3" = 1'-0"



3 HM JAMB DETAIL
3" = 1'-0"

1 DOOR & FRAME TYPES
1/4" = 1'-0"



THIS DRAWING IS THE PROPERTY OF CANAL 5 STUDIO AND IS NOT TO BE COPIED OR REPRODUCED IN PART OR WHOLE. 2014 © CANAL 5 STUDIO

Mark	Date	Description

Project Status
ISSUED FOR
CONSTRUCTION
SEPTEMBER 21, 2016

Drawing Title
DOOR AND
FRAME TYPES &
DETAILS

Scale: As indicated

Drawing Number

A60.1