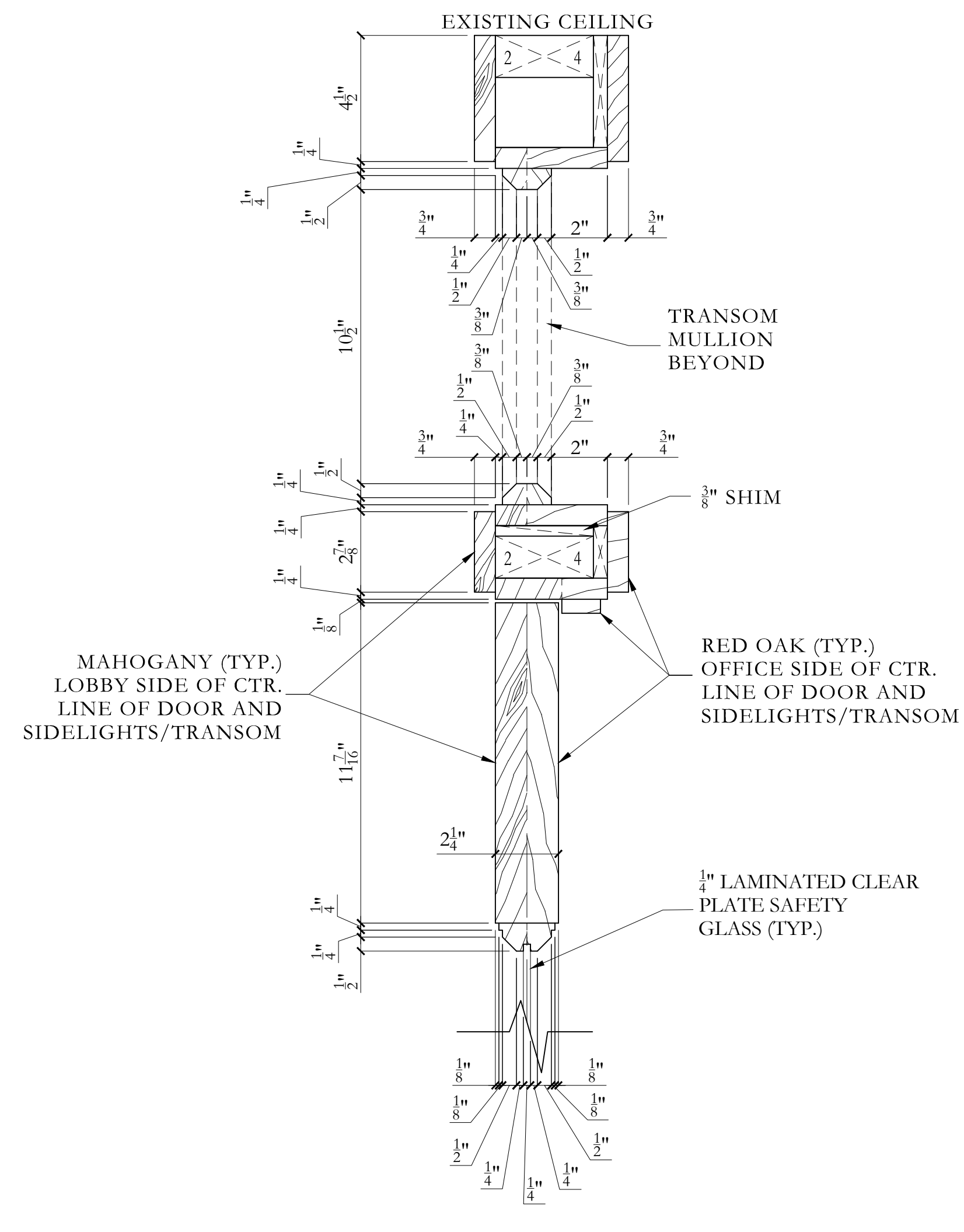
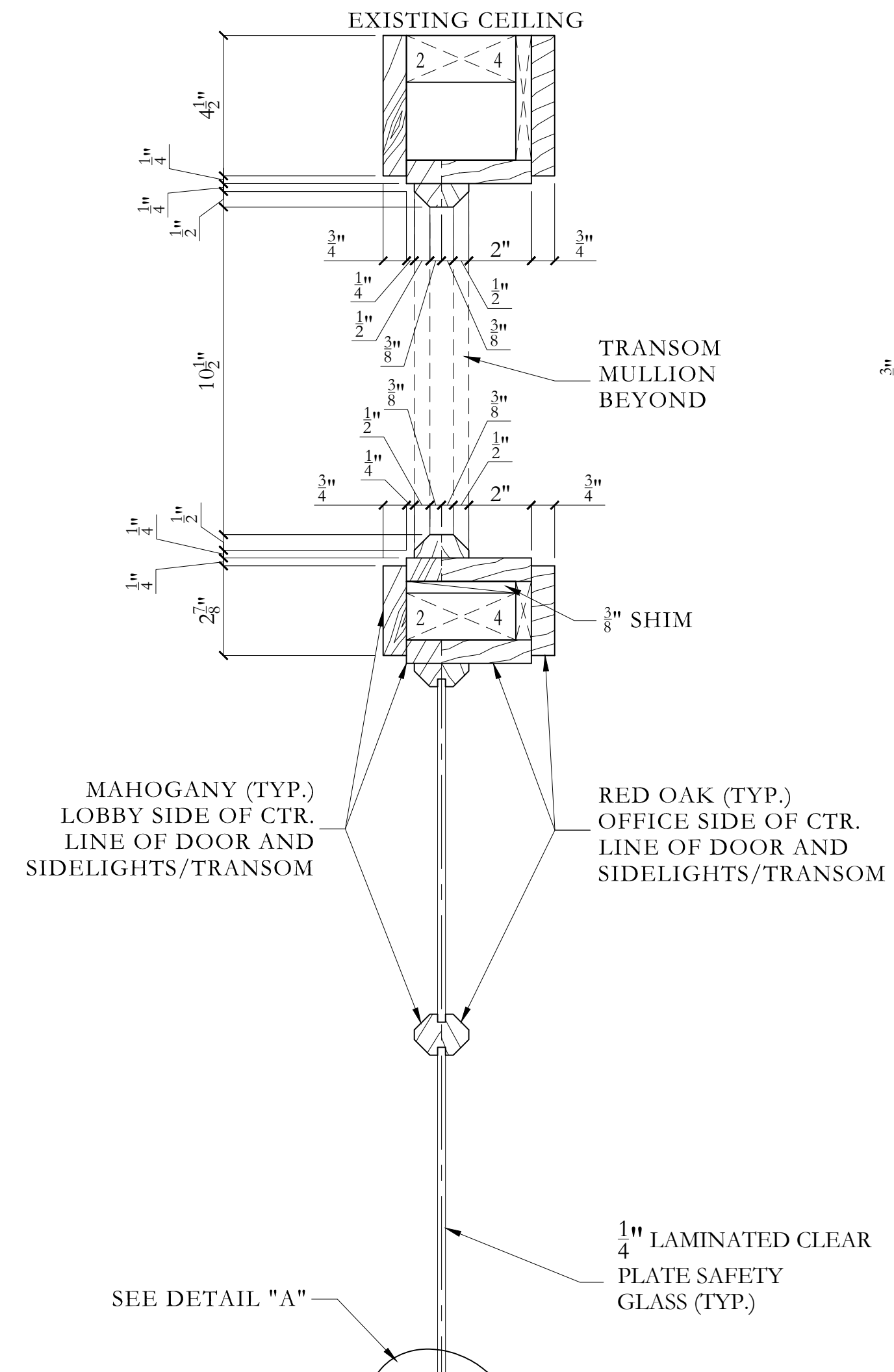


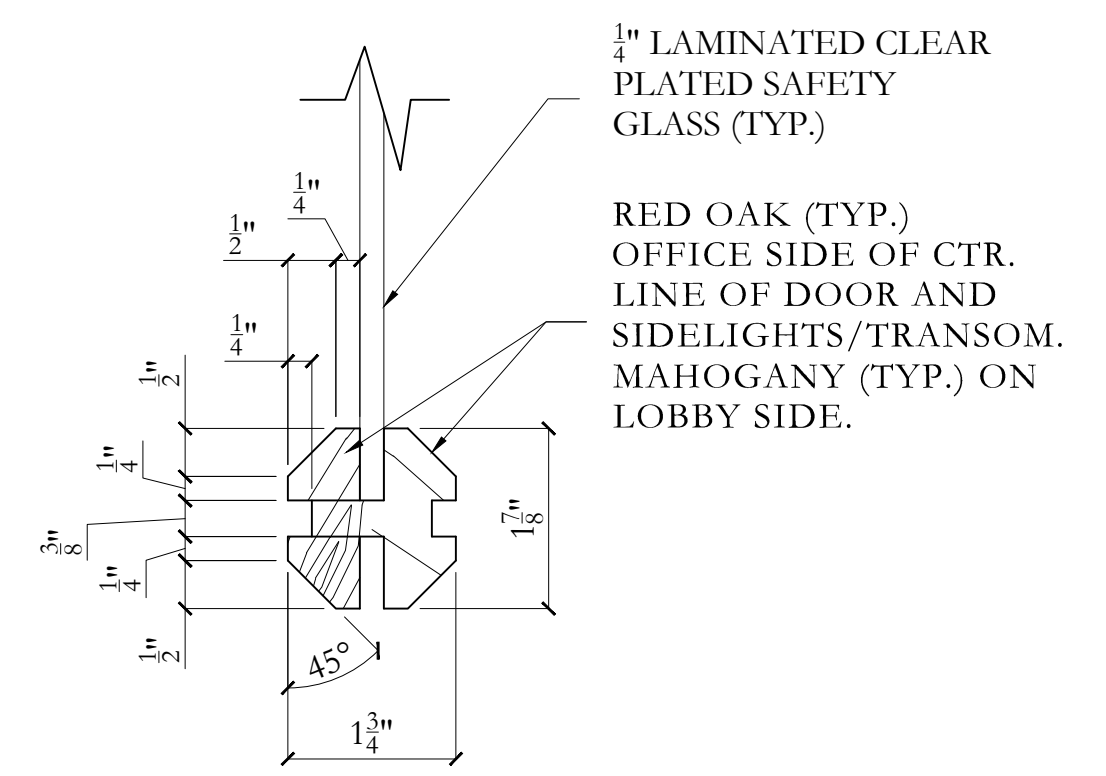
DOOR ELEVATION - LOBBY SIDE SHOWN
SCALE: 1" = 1'-0"



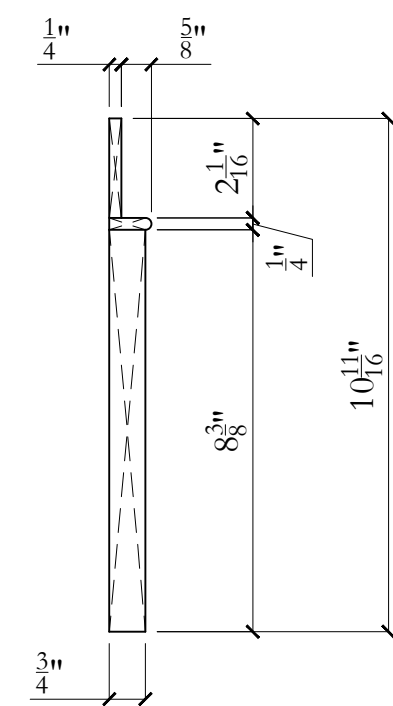
3 SECTION
SCALE: 3" = 1'-0"



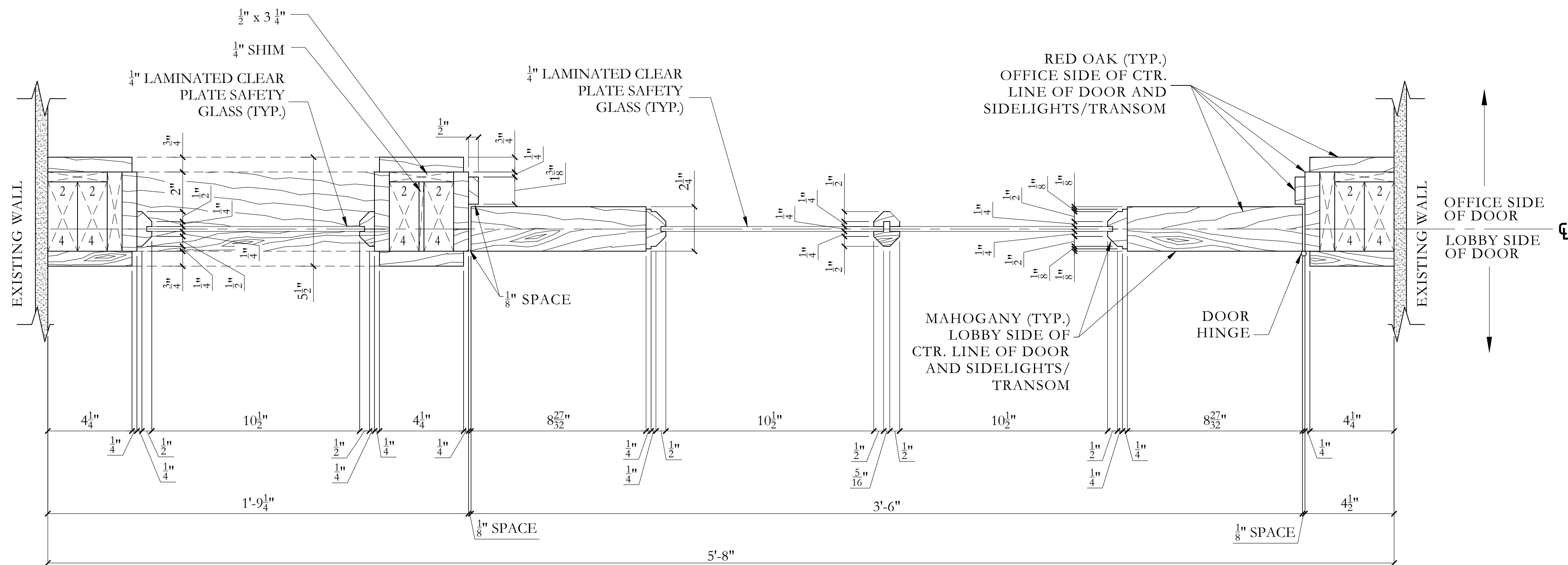
2 SECTION
SCALE: 3" = 1'-0"



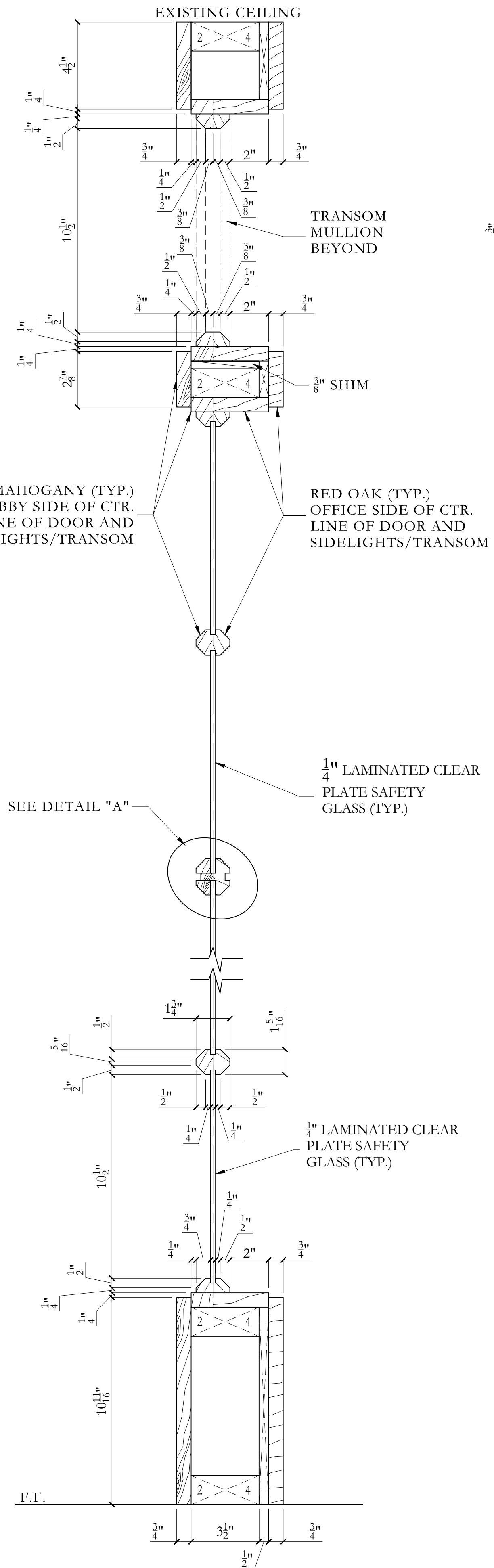
A DETAIL
SCALE: 6" = 1'-0"



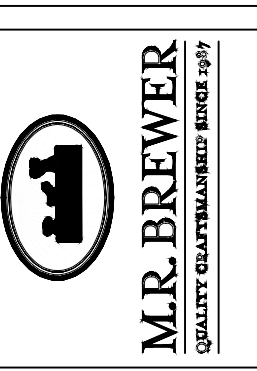
B BASE Moulding PROFILE
SCALE: 3" = 1'-0"



1 SECTION
SCALE: 3" = 1'-0"



COPYRIGHT: reuse or reproduction of the contents of this document is not permitted without written permission of M.R. Brewer, Inc.



No.	DESCRIPTION	BY	DATE

SHEET TITLE:

PROJECT DESCRIPTION:
H. M. PAYSON
1 Portland Square
Portland, ME 04101

DRAWINGS PROVIDED BY:
M.R. BREWER, Inc.
91 Bell Street, Portland, Maine 04101
T. 207.797.7534 F. 207.797.0973
www.mrbrewer.com

JOB No:

DATE:

JULY 24, 2013

SCALE:

AS NOTED

SHEET:

1