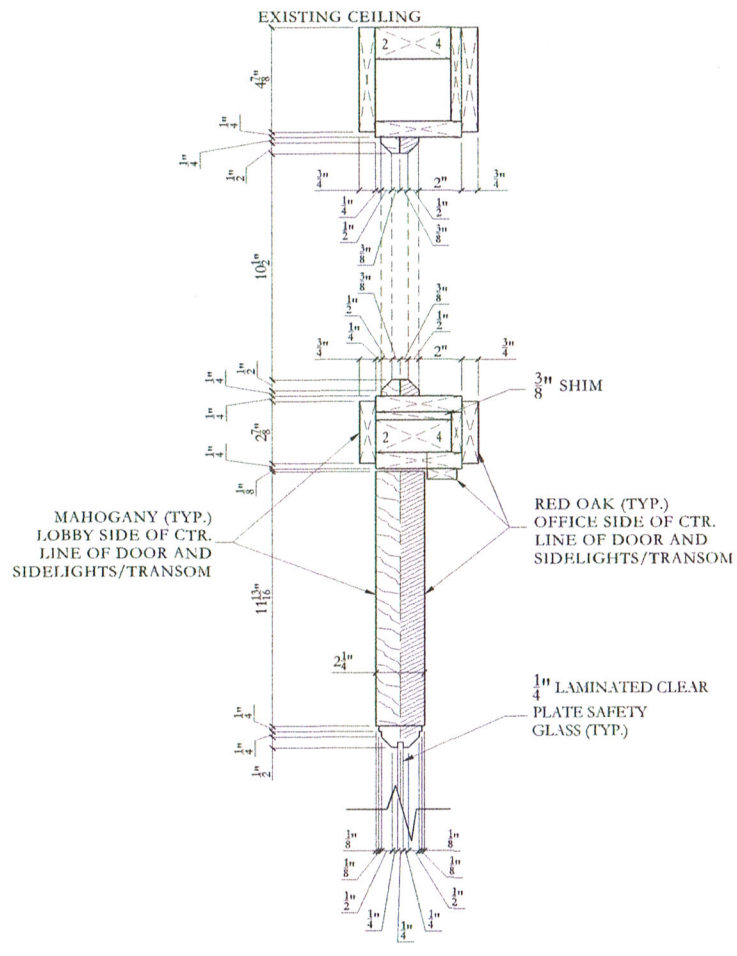
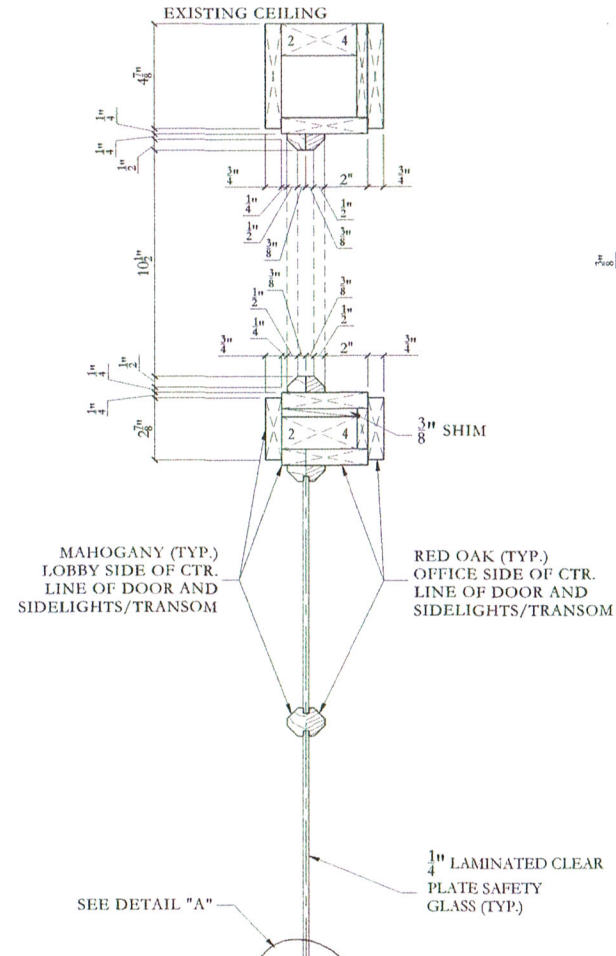


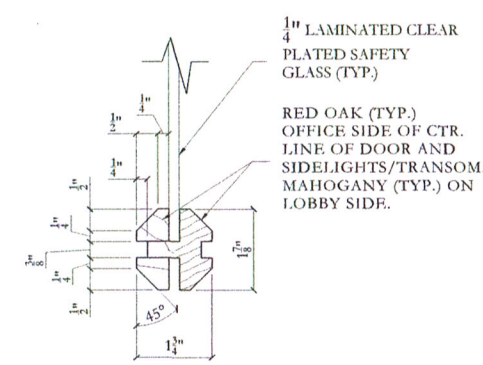
DOOR ELEVATION - LOBBY SIDE SHOWN  
SCALE: 1" = 1'-0"



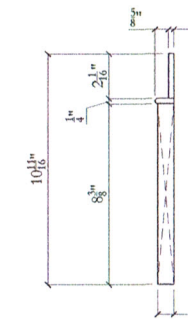
3 SECTION  
SCALE: 3" = 1'-0"



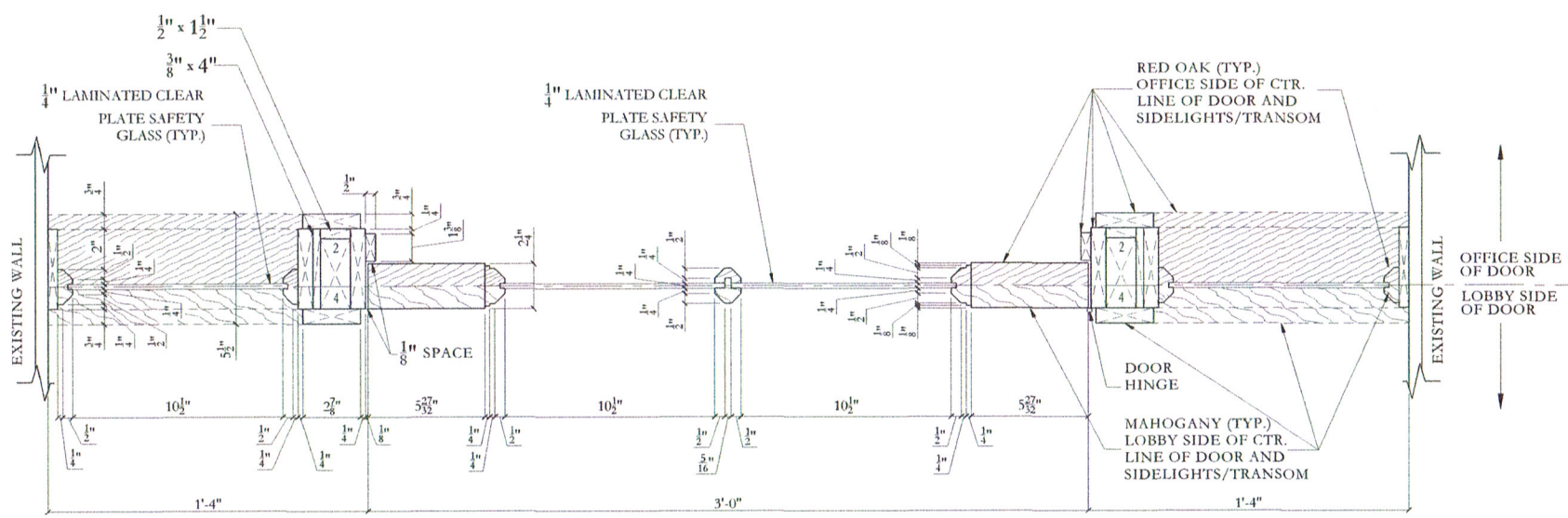
2 SECTION  
SCALE: 3" = 1'-0"



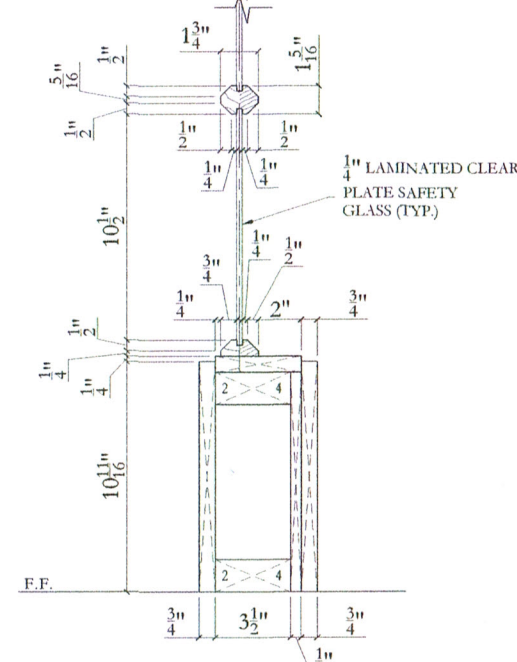
A DETAIL  
SCALE: 6" = 1'-0"



B BASE MOULDING PROFILE  
SCALE: 3" = 1'-0"



1 SECTION  
SCALE: 3" = 1'-0"



COPYRIGHT: reuse or reproduction of the contents of this document is not permitted without written permission of M.R. Brewer, Inc.

<b>M.R. BREWER</b> QUALITY CUSTOMER SERVICE	
NO.	DESCRIPTION
BY	DATE
SHEET TITLE:	
PROJECT DESCRIPTION: <b>H. M. PAYSON</b> 1 Portland Square Portland, ME 04101	
DRAWINGS PROVIDED BY: <b>M.R. BREWER, Inc.</b> 91 Bell Street, Portland, Maine 04101 T: 207.797.7534 F: 207.797.0973 www.mrbrewer.com	
JOB No:	
DATE:	
SCALE: AS NOTED	
SHEET: <b>1</b>	