

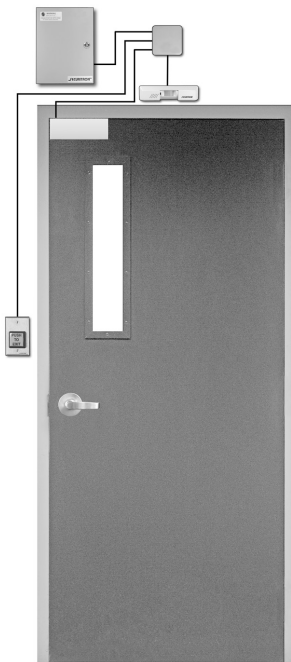
## EEB Emergency Exit Buttons



EEB2



EEB3N



### Product Features

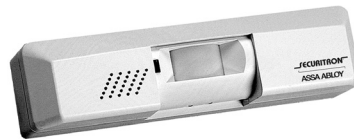
- Emergency Exit Buttons offer additional safety, as required by code, for possible malfunction of motion exit sensor
- Mounted next to door
- Momentarily pressing the button releases the door for 30 seconds
- Retriggerable
- Single gang or narrow stile
- SPST 3 Amp wet N/C contacts
- Operates on 12 or 24VDC (must be same voltage as the installed lock)
- For indoor use only
- EEB2 includes switchable green, red and blue ADA lenses
- EEB3N includes switchable green and red lenses
- UL Listed

Lense color samples shown on page 83

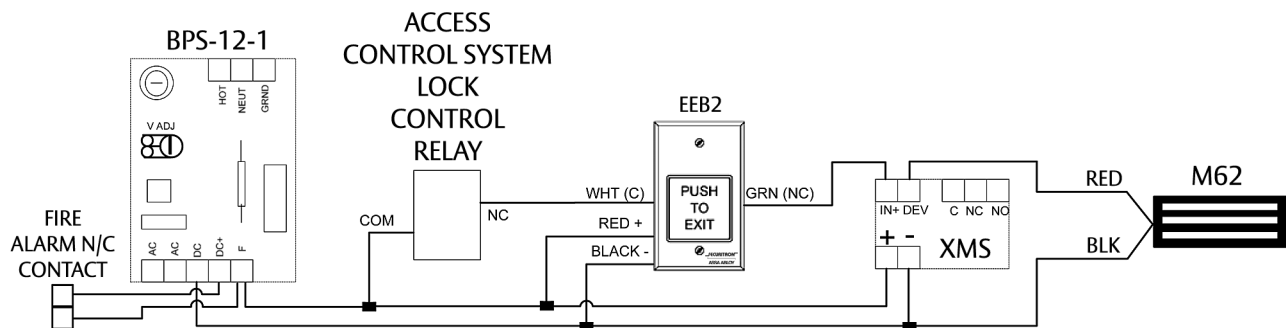
### How To Order

Part #	Description
EEB2	2" Square Emergency Exit
EEB3N	1" x 3/4" Rectangle Emergency Exit
PB2-LK	Illumination kit for EEB2
PB3-LK	Illumination kit for EEB3N

**Safety Note:** Securitron's UL294 certification indicates that when the EEB is used with the XMS Motion Sensor, it meets the NFPA Life Safety Code 101 requirements for exit of access controlled egress doors.



See Securitron's XMS on page 67



### Note

The red and white wires from the EEB2/3N must receive voltage from the same power supply

### Approvals and Listings

EEB2 and EEB3N - Underwriter's Laboratories: File BP7041 (UL 294)  
 California State Fire Marshal: 3774-0923:104

