



**EL RAYO - FREE STREET**  
 PORTLAND, MAINE  
 RENOVATION

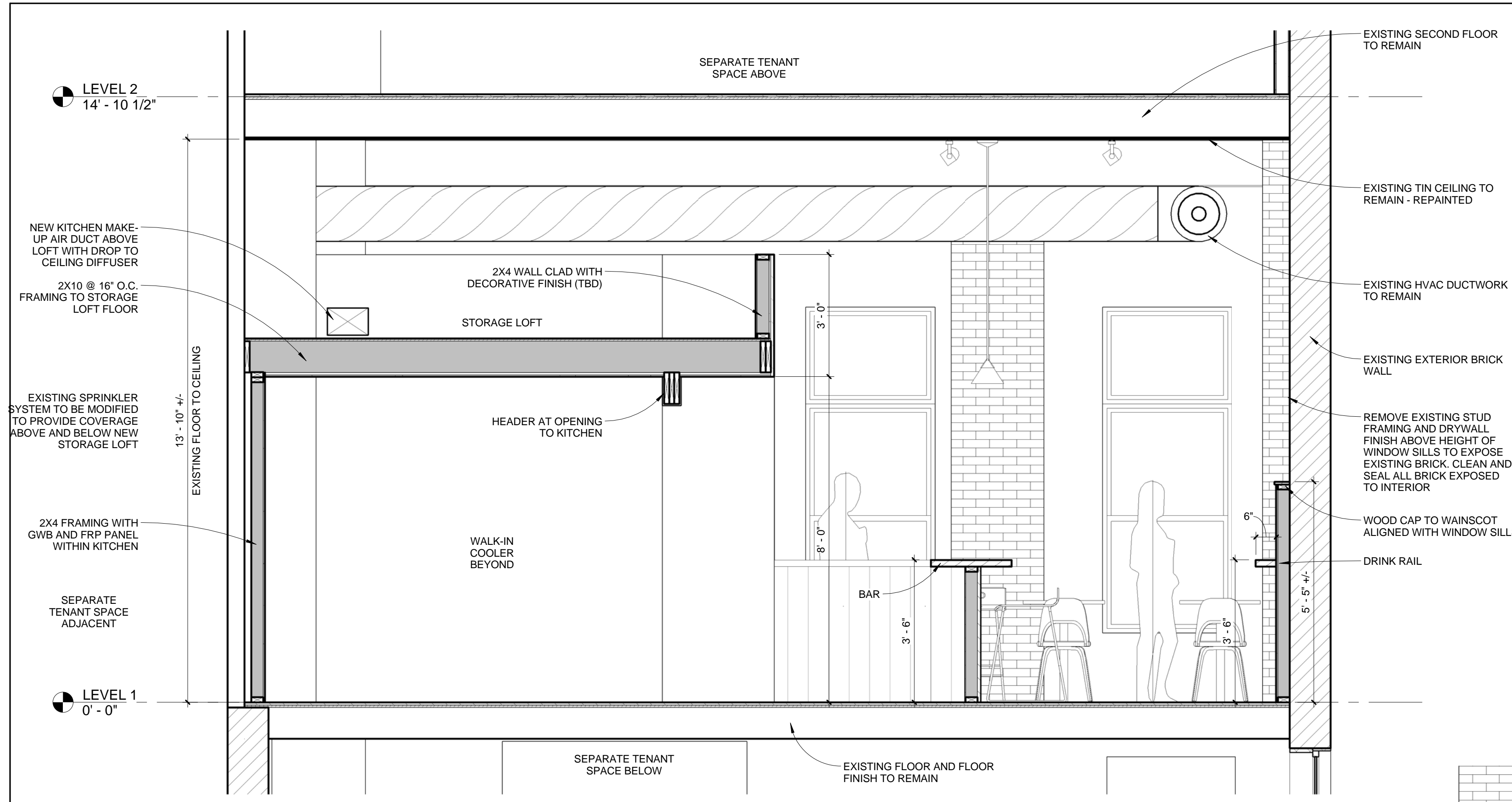
**BR BURN**  
 architecture for life  
 28 Maple St. Suite 202 Portland, ME 04101 207-774-8452

CONSULTANTS:

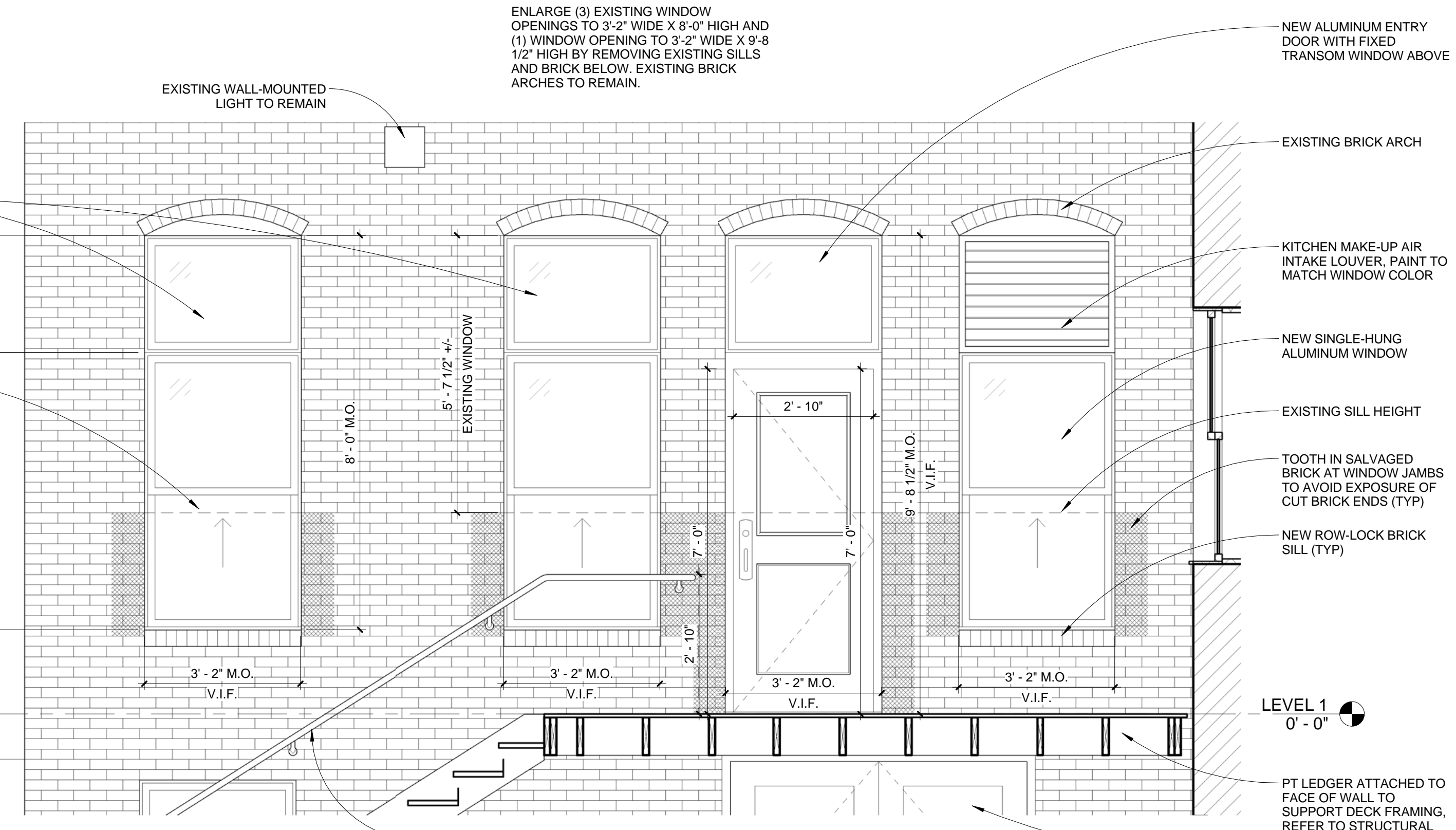
REVISIONS:

ISSUED: 01/15/16  
 PROJECT No: 1523  
 DRAWN BY: RIP  
 CHECKED BY: RIP  
 SHEET TITLE:  
 BUILDING SECTIONS & ELEVATION DETAIL

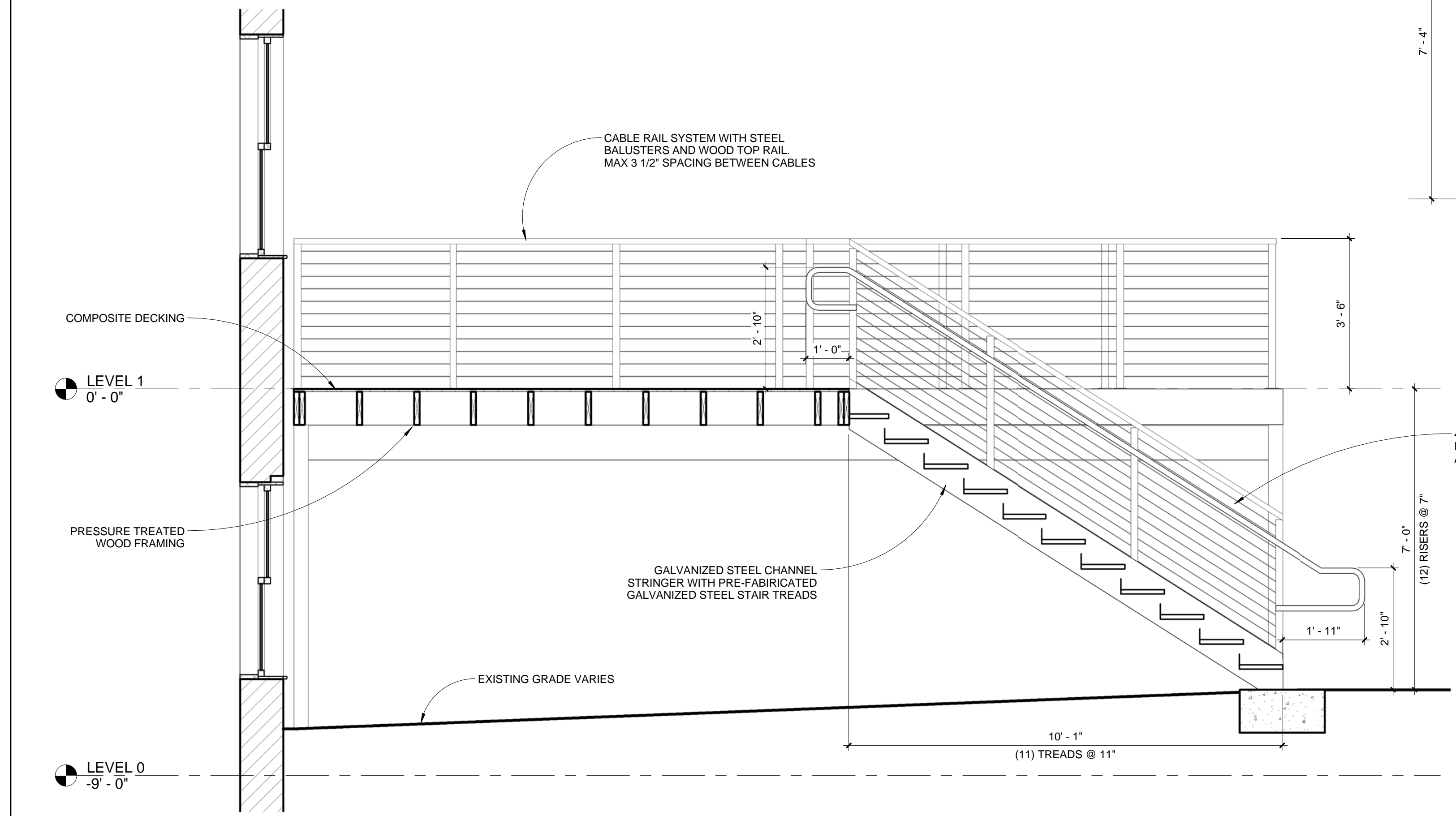
**A301**



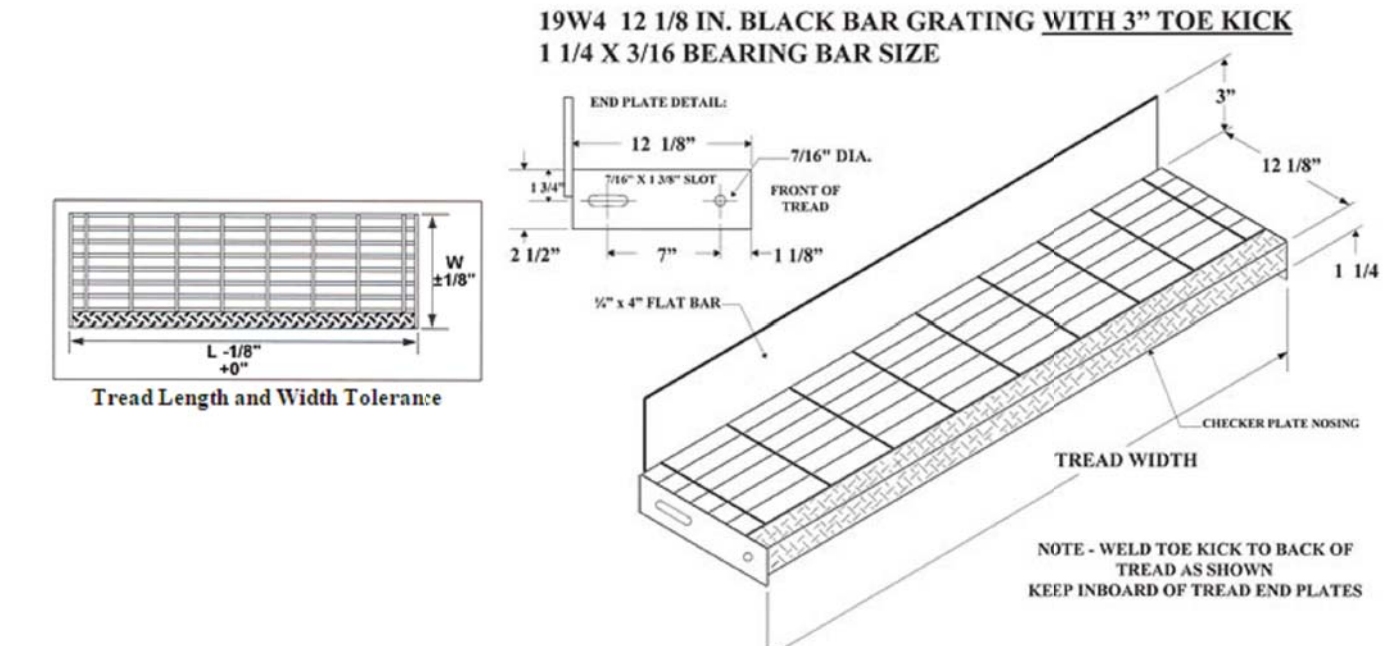
1 BUILDING SECTION  
 1/2" = 1'-0"



3 ENLARGED SOUTH ELEVATION  
 1/2" = 1'-0"



2 STAIR/DECK SECTION  
 1/2" = 1'-0"



4 PREFABRICATED STAIR TREAD DETAIL  
 12" = 1'-0"