



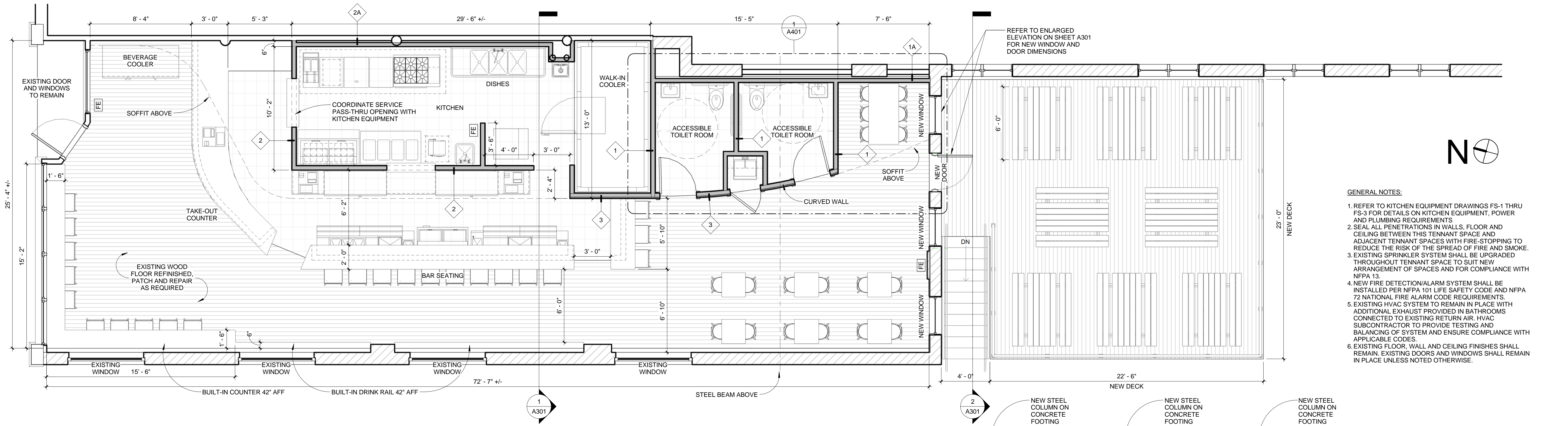
EL RAYO - FREE STREET
 PORTLAND, MAINE
 RENOVATION

BRURN
 architecture for life
28 Maple St Suite 202 Portland, ME 04101 207-774-8422

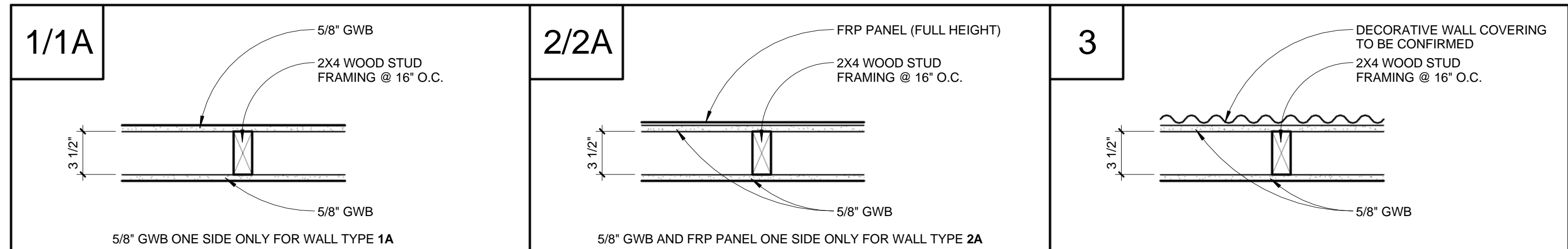
CONSULTANTS:

REVISIONS:

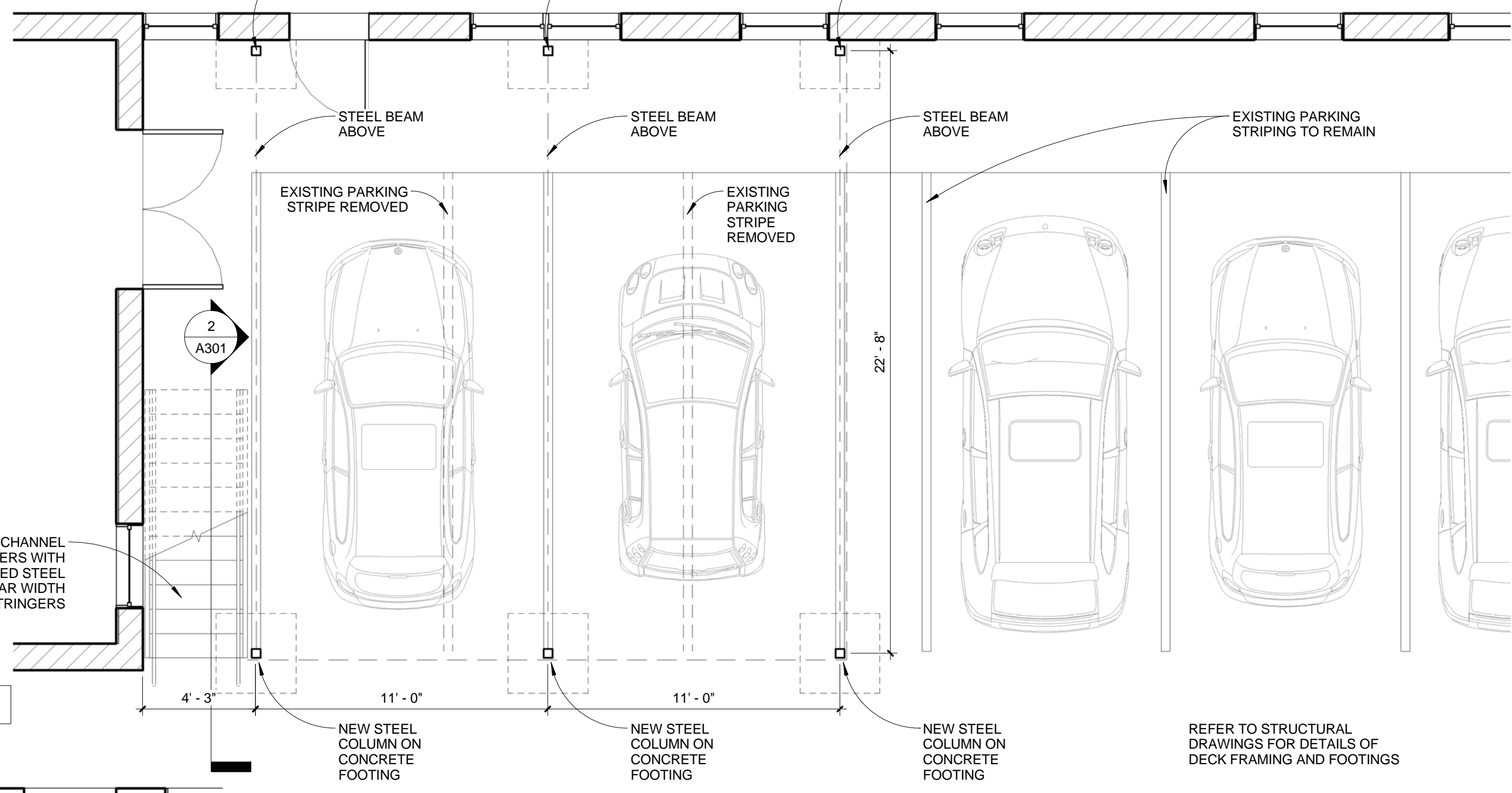
ISSUED: 01/15/16
 PROJECT No: 1523
 DRAWN BY: RIP
 CHECKED BY: RIP
 SHEET TITLE:
FLOOR PLANS & REFLECTED CEILING PLAN



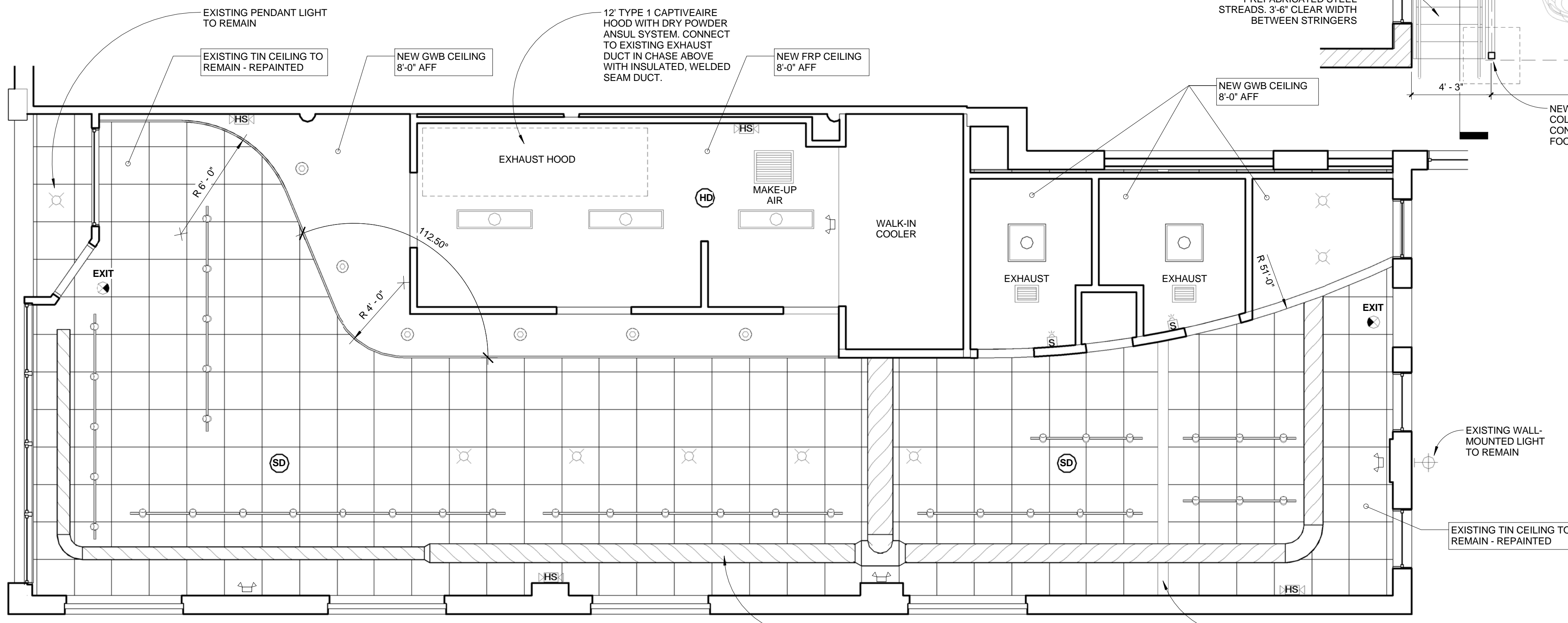
1 MAIN FLOOR PLAN
 1/4" = 1'-0"



WALL TYPES
 1 1/2" = 1'-0"



2 LOWER LEVEL PLAN
 1/4" = 1'-0"



3 REFLECTED CEILING PLAN
 1/4" = 1'-0"

	SURFACE MOUNTED LIGHT FIXTURE		4' SURFACE MOUNTED FLUORESCENT LIGHT FIXTURE
	RECESSED LIGHT FIXTURE		UNDER-CABINET LIGHT FIXTURE
	WALL MOUNTED LIGHT FIXTURE		PENDANT LIGHT FIXTURE
	EXHAUST FAN/LIGHT		WALL MOUNTED STRIP LIGHT
	GARAGE DOOR OPENER		CEILING FAN/LIGHT
	TRACK LIGHT SYSTEM		COMBINATION HORN/STROBE NOTIFICATION DEVICE
	ILLUMINATED EXIT SIGN		STROBE ONLY NOTIFICATION DEVICE
	EMERGENCY LIGHT PACK		SMOKE / HEAT DETECTOR

LIGHT FIXTURES TO BE SELECTED BY OWNER