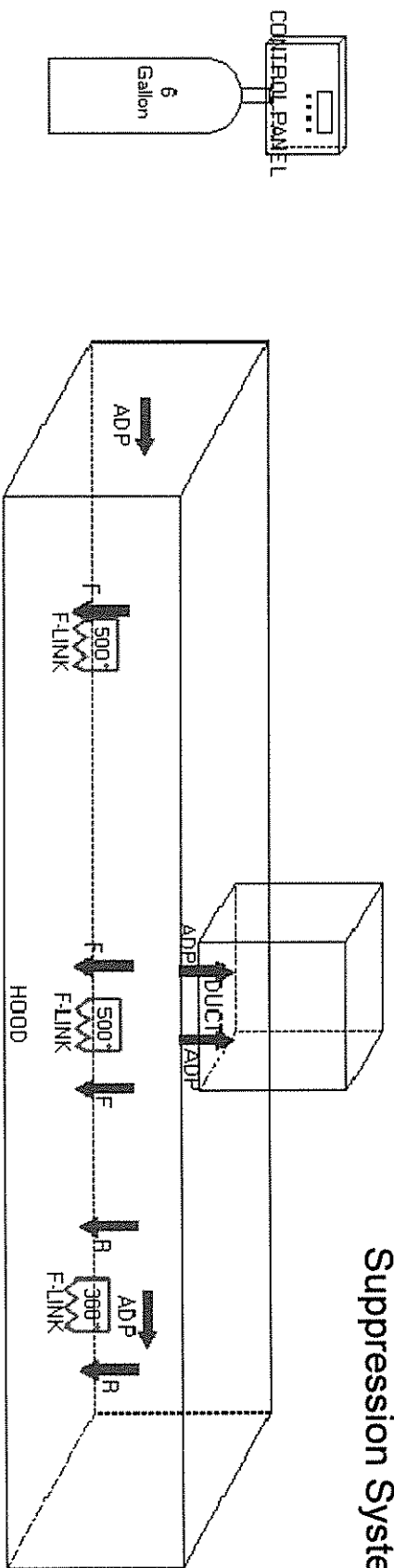
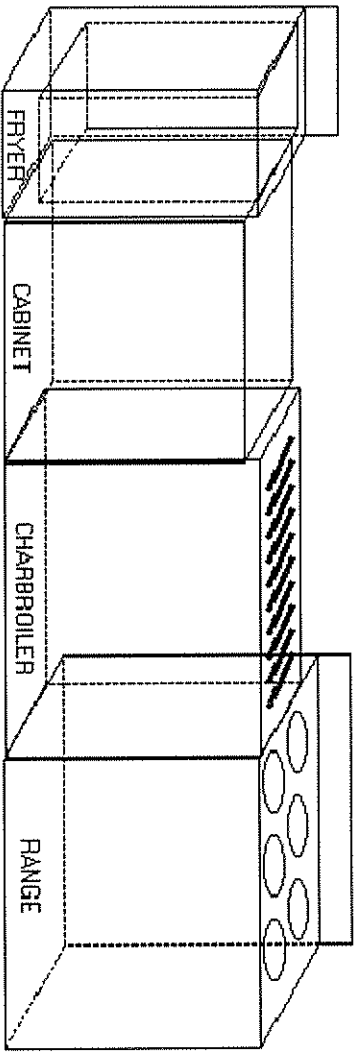


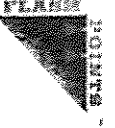
Range Guard Wet Chemical Systems Pre-Engineered Fire Suppression System



Remote Pull

M
1" Gas Val



	Designed & Installed by: Firesafe Equipment Po Box 1355 Auburn, ME 04211 207-784-7525	For: EL RAYO	Lic #: Designer: Job #: Date: 6/8/2016	Stamp
	FLAKE		Stamp	