

**STRUCTURAL DESIGN CRITERIA:**

- BUILDING CODE: 2009 EDITION OF THE INTERNATIONAL BUILDING CODE.
- EXTERIOR DECK LIVE LOAD = 100 PSF
- SECOND FLOOR LIVE LOAD = 50 PSF + 20 PSF PARTITION ALLOWANCE
- SNOW LOAD:  
DECK SNOW LOAD = 42 PSF + DRIFT

**GENERAL NOTES:**

- STRUCTURAL DRAWINGS SHALL BE USED IN CONJUNCTION WITH JOB SPECIFICATIONS, ARCHITECTURAL AND SITE DRAWINGS.
- ALL DIMENSIONS AND CONDITIONS MUST BE VERIFIED IN THE FIELD.
- ALL APPLICABLE FEDERAL, STATE, AND MUNICIPAL REGULATIONS SHALL BE FOLLOWED, INCLUDING THE FEDERAL DEPARTMENT OF LABOR OCCUPATIONAL SAFETY AND HEALTH ACT.

**FOUNDATION NOTES:**

- FOUNDATION DESIGN BASED ON AN ASSUMED MAXIMUM ALLOWABLE BEARING PRESSURE OF 2500 PSF. IT IS THE RESPONSIBILITY OF THE OWNER/CONTRACTOR TO VERIFY THE SOIL BEARING CAPACITY. NOTIFY THE ENGINEER AND STOP WORK IF CLAY, WET SOILS, FILL, OR OTHER DELETERIOUS MATERIALS ARE ENCOUNTERED.
- DESIGN OF EXTERIOR FOUNDATIONS IS BASED ON A FROST DEPTH OF 4'-0" BELOW FINISHED GRADE.

**WOOD FRAMING NOTES:**

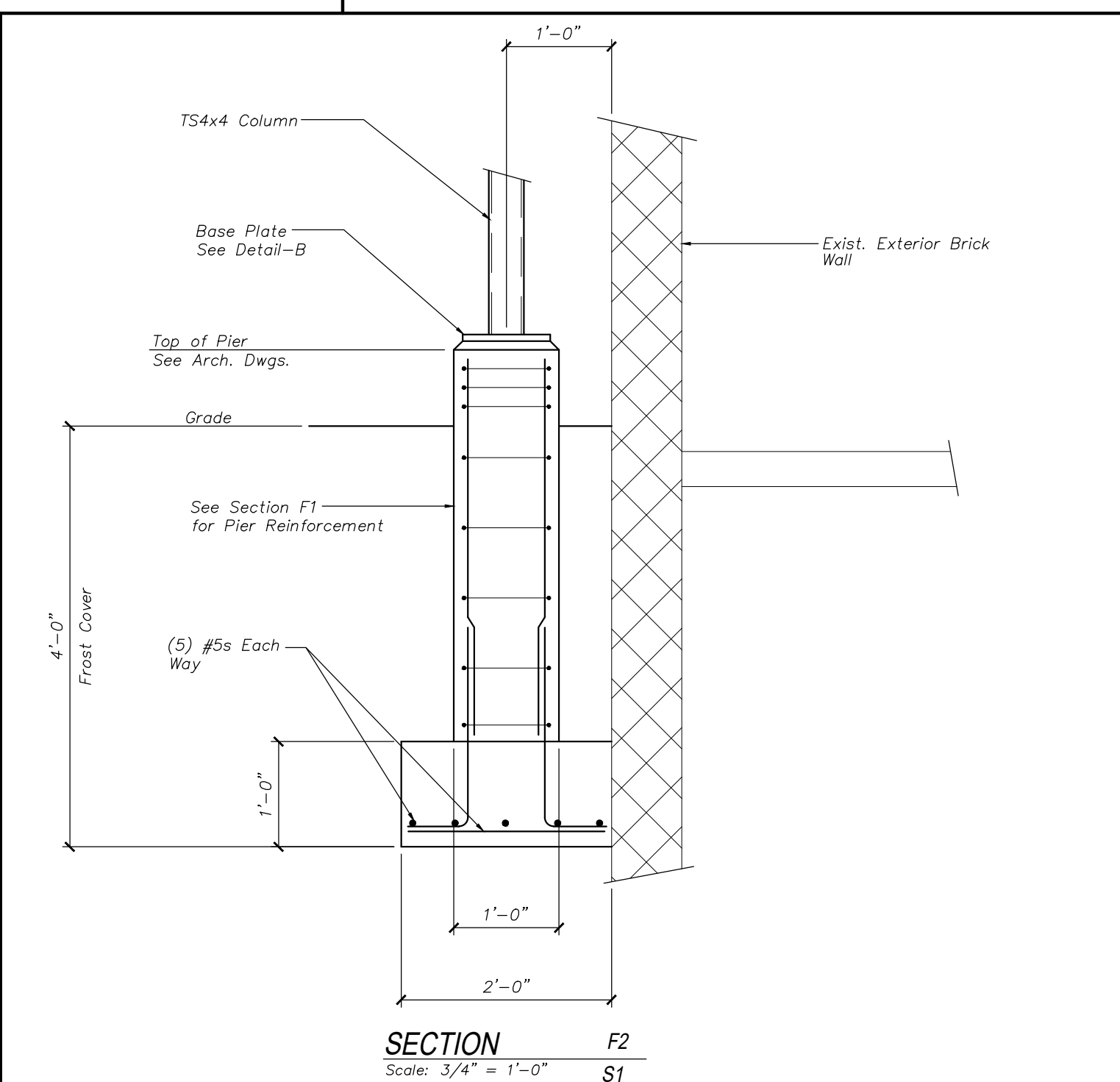
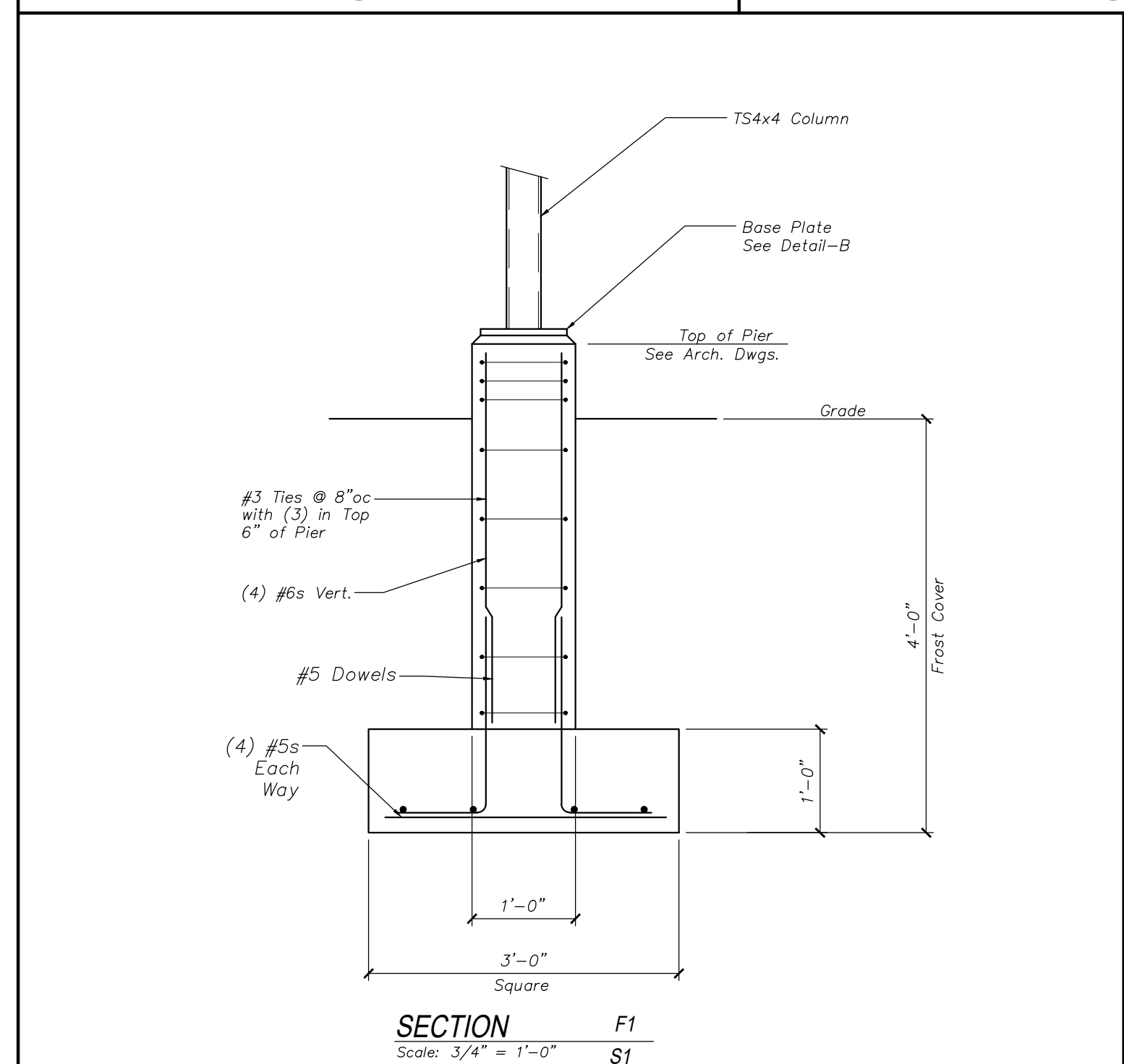
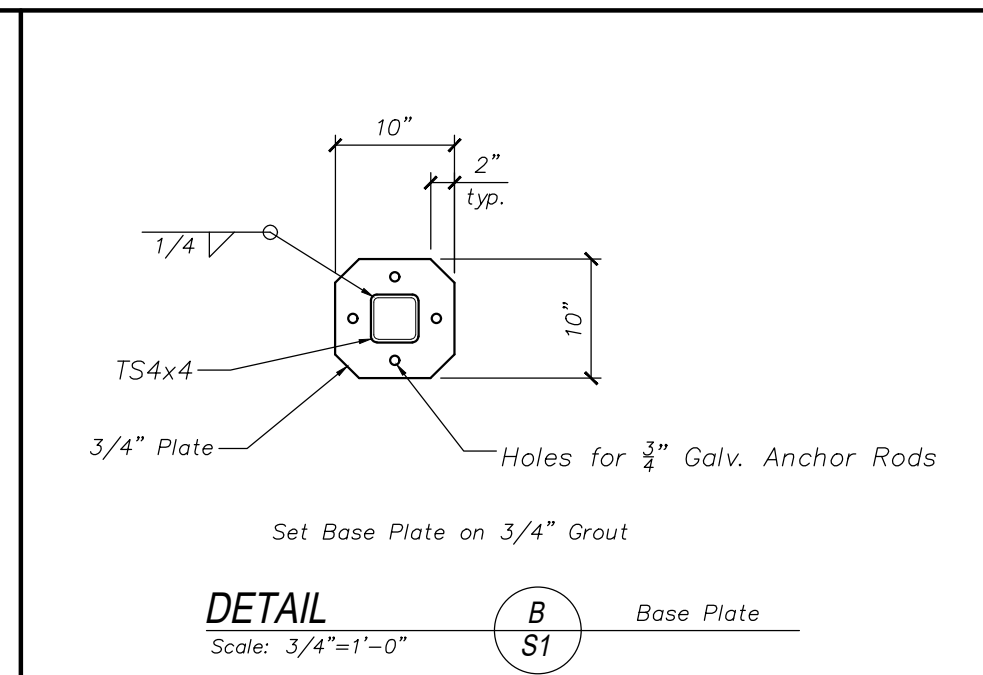
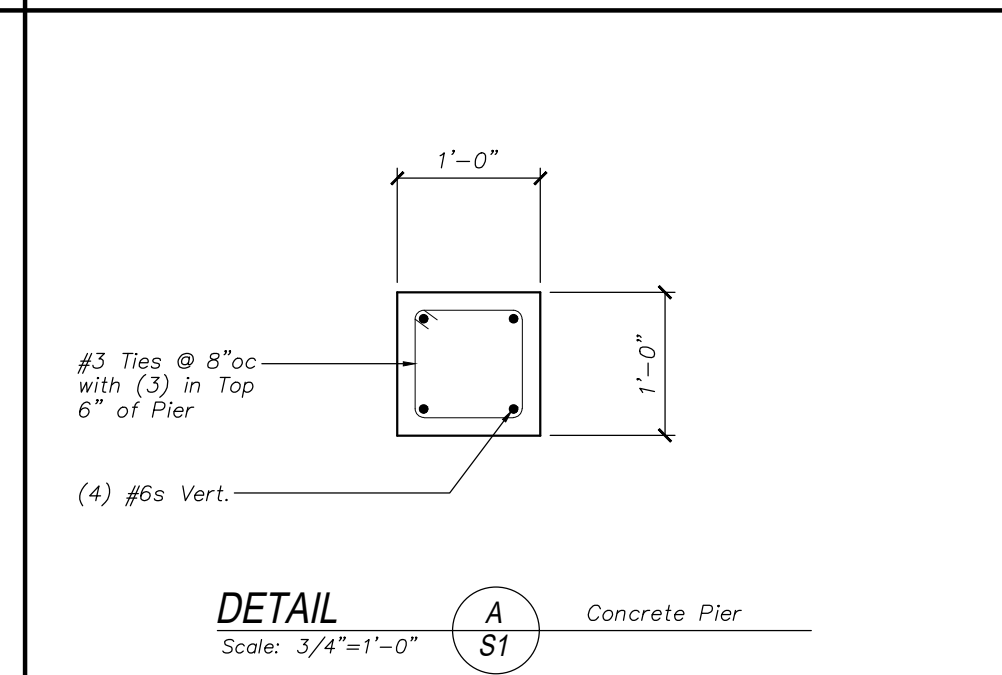
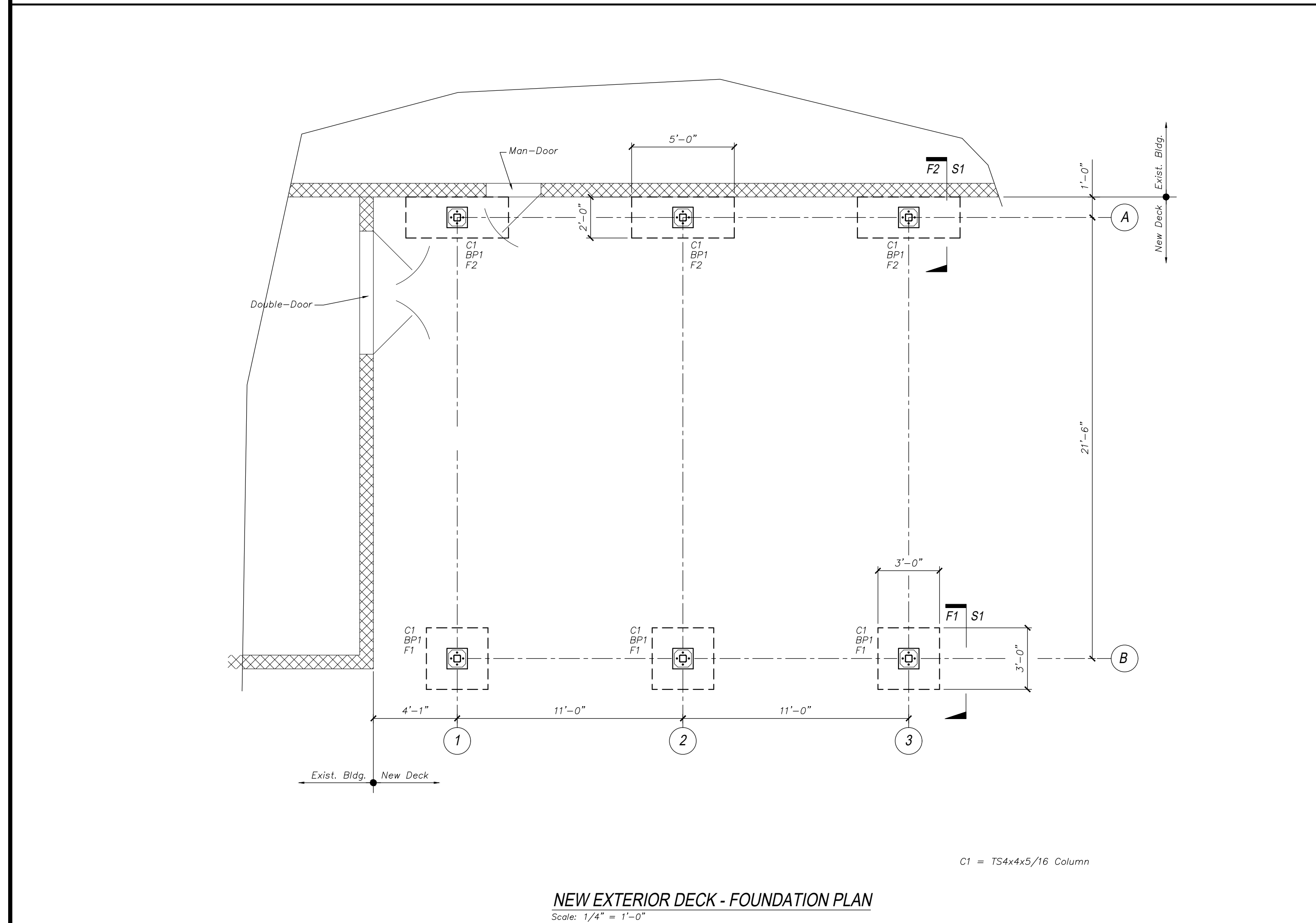
- STRUCTURAL LUMBER: No. 1 SOUTHERN YELLOW PINE, PRESSURE TREATED  
F<sub>b</sub> = 850 PSI F<sub>v</sub> = 70 PSI  
F<sub>c</sub> = 975 PSI E = 1100000 PSI
- DESIGN CODE: NATIONAL DESIGN SPECIFICATIONS FOR WOOD CONSTRUCTION BY THE NATIONAL FOREST PRODUCTS ASSOCIATION
- FASTENERS: COMPLY WITH RECOMMENDED FASTENING SCHEDULE OF THE INTERNATIONAL BUILDING CODE, 2009 EDITION, UNLESS SHOWN OTHERWISE ON THE DRAWINGS.

**STRUCTURAL STEEL NOTES - GENERAL:**

- STRUCTURAL STEEL FABRICATION, ERECTION, AND CONNECTION DESIGN SHALL CONFORM TO AISC "SPECIFICATION FOR THE DESIGN, FABRICATION, AND ERECTION OF STRUCTURAL STEEL" 13TH EDITION.
- STRUCTURAL TUBING SHALL CONFORM TO ASTM A500, GRADE B. STEEL PIPES SHALL BE A53, GRADE B
- ALL BOLTED CONNECTIONS SHALL BE MADE WITH 3/4" DIA. ASTM A325 HIGH STRENGTH BOLTS.
- WELDING SHALL BE IN ACCORDANCE WITH AWS D1.1 - LATEST EDITION. ALL WELDS SHALL BE MADE WITH E70XX ELECTRODES.
- STRUCTURAL STEEL SHALL BE GALVANIZED.
- SUBMIT COMPLETE STRUCTURAL STEEL SHOP DRAWINGS FOR REVIEW PRIOR TO ANY STEEL FABRICATION.

**CONCRETE NOTES:**

- ALL CONCRETE WORK SHALL CONFORM TO ACI-318-LATEST EDITION.
- CONCRETE COMPRESSIVE STRENGTH AT 28 DAYS SHALL BE 3000 PSI. MAXIMUM SIZE AGGREGATE SHALL BE 3/4"
- CONCRETE TO REMAIN EXPOSED TO WEATHER SHALL BE AIR ENTRAINED.
- CONCRETE SHALL NOT BE PLACED IN WATER OR ON FROZEN GROUND.
- REINFORCING BARS SHALL CONFORM TO ASTM A615 GRADE 60.



Shelley Engineering, Inc.  
Structural Consultants  
P.O. Box 1030  
Gray, Maine 04039  
Phone (207) 687-8031  
www.ShelleyEngineering.com

ME

**EL RAYO, Free Street**

Portland

Issue	Date
Review	1/16/16
Review	2/10/16

STATE OF MAINE  
TIMOTHY G. SHELLEY  
No. 5852  
LICENSED PROFESSIONAL ENGINEER

**SHEET TITLE:**

Structural

S1 of 2

SEI Job # 2016-011