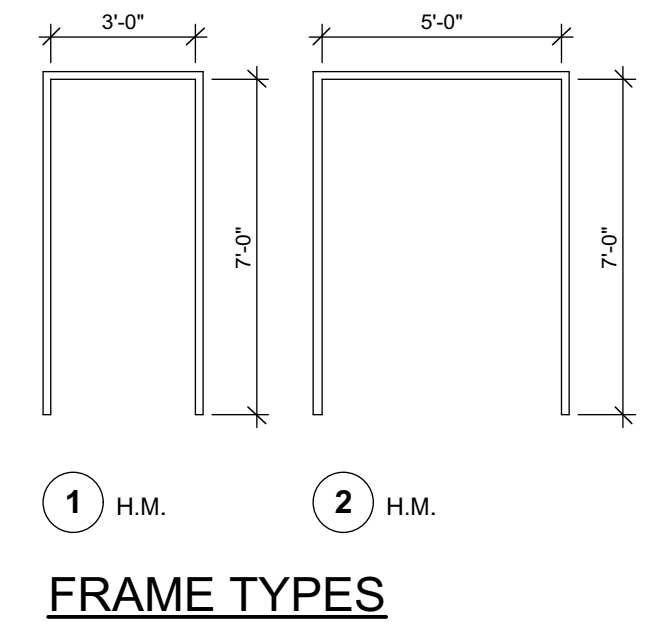


DOOR TYPES-SUMMARY BY TYPE

Door Elevation	Type	Qty	Nominal Size		Matl	Label
			Unit Width	Unit Height		
	1	7	3'0"	7'0"	WD	
	2	1	3'0"	7'0"	WD	
	3	1	5'0"	7'0"	WD	



DOOR SCHEDULE

Prefix Mark Suffix	Nominal Size			Location	Door Style			Glazing		Door Frame					Fire Rating		Hdwr	Openings		Door Data	
	Width	Height	Thickness		Room	Door Operation	Door Matl	Door Type	Glass Type	Frame Matl	Frame Type	Head Detail	Jamb Detail	Sill Detail	Frame	Door Slab		HW Set See Spec	RO Width Nom.	RO Height Nom.	Accessories
1 01 .1	3'0"	7'0"	1 3/4"	106	Swing Simple	WD	1	Glazing-Clear	HM	1	2/A-401	1/A-401	-	-	-	-	3'4 1/2"	7'2 1/4"			
1 02 .1	3'0"	7'0"	1 3/4"	106	Swing Simple	WD	1	Glazing-Clear	HM	1	2/A-401	1/A-401	-	-	-	-	3'4 1/2"	7'2 1/4"			
1 03 .1	3'0"	7'0"	1 3/4"	106	Swing Simple	WD	1	Glazing-Clear	HM	1	2/A-401	1/A-401	-	-	-	-	3'4 1/2"	7'2 1/4"			
1 04 .1	3'0"	7'0"	1 3/4"	106	Swing Simple	WD	1	Glazing-Clear	HM	1	2/A-401	1/A-401	-	-	-	-	3'4 1/2"	7'2 1/4"			
1 05 .1	3'0"	7'0"	1 3/4"	106	Swing Simple	WD	1	Glazing-Clear	HM	1	2/A-401	1/A-401	-	-	-	-	3'4 1/2"	7'2 1/4"			
1 06 .1	3'0"	7'0"	1 3/4"	106	Swing Simple	WD	1	Glazing-Clear	HM	1	2/A-401	1/A-401	-	-	-	-	3'4 1/2"	7'2 1/4"			
1 07 .1	3'0"	7'0"	1 3/4"	106	Swing Simple	WD	2		HM	1	2/A-401	1/A-401	-	-	-	-	3'4 1/2"	7'2 1/4"			
1 08 .1	5'0"	7'0"	1 3/4"	106	Swing Bi-part	WD	3		HM	2	2/A-401	1/A-401	-	-	-	-	5'4 1/2"	7'2 1/4"			
1 09 .1	3'0"	7'0"	1 3/4"	106	Swing Simple	WD	1	Glazing-Clear	HM	1	2/A-401	1/A-401	-	-	-	-	3'4 1/2"	7'2 1/4"			

WINDOW SCHEDULE

Prefix Mark Suffix	Nominal Size		Location	Window Style		Glazing			Frame Details			Code	Openings			Window Data	
	Unit Width	Unit Height		Space	Sash Operation	Frame Matl	Window Type	Glass	Head Detail	Jamb Detail	Sill Detail		Egress Window	RO Width	RO Height	Rough Sill Hgt	Accessories
1 01 .1	4'0"	6'4"	101	Fixed Glass	HM	3	Safety	5/A-401	4/A-401	6/A-401	-	4'0 1/2"	6'4 1/2"	10"			
1 02 .1	4'0"	6'4"	102	Fixed Glass	HM	3	Safety	5/A-401	4/A-401	6/A-401	-	4'0 1/2"	6'4 1/2"	10"			
1 03 .1	4'0"	6'4"	103	Fixed Glass	HM	3	Safety	5/A-401	4/A-401	6/A-401	-	4'0 1/2"	6'4 1/2"	10"			
1 04 .1	4'0"	6'4"	104	Fixed Glass	HM	3	Safety	5/A-401	4/A-401	6/A-401	-	4'0 1/2"	6'4 1/2"	10"			
1 06 .1	3'6"	6'4"	106	Fixed Glass	HM	2	Safety	5/A-401	4/A-401	6/A-401	-	3'6 1/2"	6'4 1/2"	10"			
1 09 .1	2'0"	6'4"	109	Fixed Glass	HM	1	Safety	5/A-401	4/A-401	6/A-401	-	2'0 1/2"	6'4 1/2"	10"			

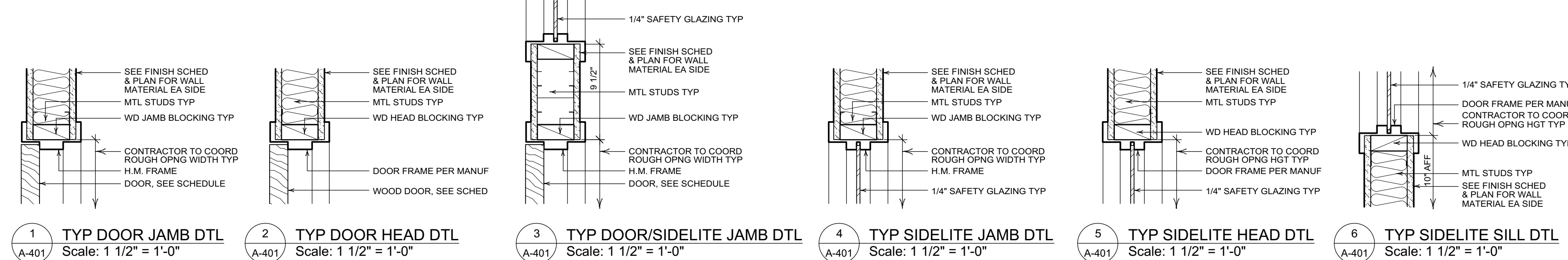
- FINISHES LEGEND**
- CEILING C1 PAINTED GWB
 - WALL PEX PAINT EXISTING SURFACES
 - PGB PAINTED GYPSUM WALL BOARD
 - BASE VJB VINYL BASE - 4"
 - FLOOR CPT1 CARPET 1
 - CPT2 CARPET 2
 - VCT VINYL COMPOSITION TILE

ROOM FINISH SCHEDULE

Room Number	Room Name	Floor		Wall				Ceiling	Remarks
		Matl	Base	North	East	South	West	Matl	
101	OFFICE 1	CPT1	VB	PGB	PGB	PEX	PEX	C1	
102	OFFICE 2	CPT1	VB	PGB	PGB	PEX	PEX	C1	
103	OFFICE 3	CPT1	VB	PEX	PGB	PGB	PGB	C1	
104	OFFICE 4	CPT1	VB	PGB	PEX	PEX	PGB	C1	
105	SMALL CONFERENCE	CPT1	VB	PEX	PEX	PGB	PGB	C1	
106	LARGE CONFERENCE	CPT1	VB	PEX	PEX	PEX	PEX	C1	Paint new GWB @ door/sidelite
107	SERVER	VCT	VB	PGB	PEX	PEX	PEX	C1	
108	STORAGE	CPT2	VB	PGB	PGB	PEX	PEX	C1	
109	RECEPTION	CPT2	VB	PEX	PEX	PEX	PGB	C1	
110	BREAK RM	VCT	VB	PEX	PEX	PEX	PEX	C1	
111	OPEN OFFICE	CPT2	VB	PEX	PGB	PEX	PGB	C1	

WINDOW TYPES-SUMMARY BY TYPE

Window Elevation	Type	Qty	Nominal Size		Operation
			Unit Width	Unit Height	
	1	1	2'0"	6'4"	Fixed Glass
	2	1	3'6"	6'4"	Fixed Glass
	3	4	4'0"	6'4"	Fixed Glass



Date	8/25/15
Revision	
Project ID	2015009
Drawing Code	JBB 22 Free St.vvwx
Scale	1/8" = 1'-0"
Print Date	8/25/15

HKTA/architects
 30 Danforth Street
 Portland, Maine 04101

22 Free St Renovations
 J.B. Brown & Sons
 Portland, Maine

SCHEDULES
 DOOR & WINDOW DETAILS

HKTA / architects
 30 Danforth Street Suite 209
 Portland, Maine 04101
 phone: 207.774.6016
 fax: 207.774.9128
 email: hkta@maine.rr.com

Sheet Scale
 Drawing No.
A-401
 of
 8 Total Sheets