

SUBMITTAL DATA SHEET

SPLIT-SYSTEM EVAPORATOR BLOWERS

7.5, 10, 15, 20 & 25 TONS

MODELS: NH-07 thru -25, 2-PIPE

NJ-10 thru -20, 4-PIPE



JOB NAME:			LOCATION:		
PURCHASER:			ORDER NO:		
ENGINEER:					
SUBMITTED TO:		FOR:	REF:	APPROVAL:	CONSTRUCTION:
SUBMITTED BY:			DATE:		
UNIT DESIGNATION:			SCHEDULE NO.	MODEL NO.	

PRODUCT DATA

Cooling Performance

Total Capacity MBH
 Sensible Capacity MBH
 Evaporator Pressure at Saturation PSIG
 Evaporator Temperature at Saturation °F
 Total Supply Air CFM
 Temp. of air Entering Evaporator Coil / °F DBWB

Heating Performance

Refer to field-installed accessories on reverse side.

Supply Air Blower Performance

Total Supply Air CFM
 Total Resistance External To Unit IWG
 Blower Speed RPM
 Blower Output Requirement BHP
 Motor Rating HP
 Power Input Requirement KW

Electrical Data

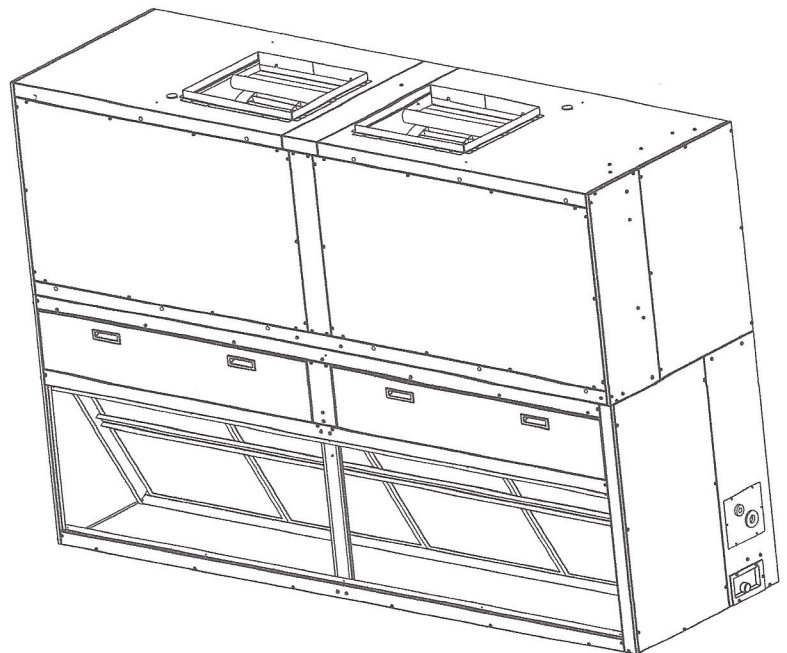
Power Supply / /
 Total Unit Ampacity AMPS
 Minimum Wire Size AWG (Copper Conductors)
 Maximum Fuse Size Dual Element AMPS

Unit Weight

Total Operating Weight LBS (including field-installed accessories)

FEATURES

- R-410A REFRIGERANT
- POWDER PAINT FOR DURABILITY
- INHERENTLY PROTECTED FAN MOTORS 7.5-20 TON
- SINGLE AND DUAL REFRIGERATION CIRCUITS (SINGLE ON NH AND DUAL ON NJ MODELS)
- PROVISIONS FOR HOT GAS BYPASS
- CSA APPROVAL
- 2" AND 4" FILTER RACK (4" FILTERS FIELD SUPPLIED) 7.5-20 TON
- ELECTRIC HEAT (FIELD INSTALLED) 7.5-20 TON
- HOT WATER HEATING COILS (FIELD INSTALLED)
- STEAM HEATING COILS (FIELD INSTALLED)
- FACTORY SELECTABLE MOTOR AND DRIVE OPTIONS 7.5-20 TON
- ADJUSTABLE TXV'S
- CAN BE APPLIED VERTICALLY OR HORIZONTALLY
- SINGLE POINT POWER CONNECTION
- ONE YEAR LIMITED PARTS WARRANTY ON COMPLETE UNIT
- 5 YEAR LIMITED WARRANTY ON ELECTRIC HEATING ELEMENTS 7.5-20 TON
- DESIGNED TO OPERATE WITH COOLING ONLY UNITS OR HEAT PUMPS 7.5-20 TON



NH/NJ-20 INDOOR UNIT