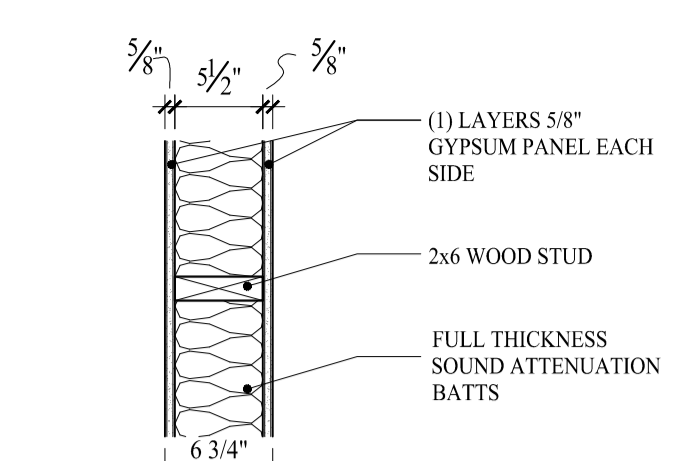


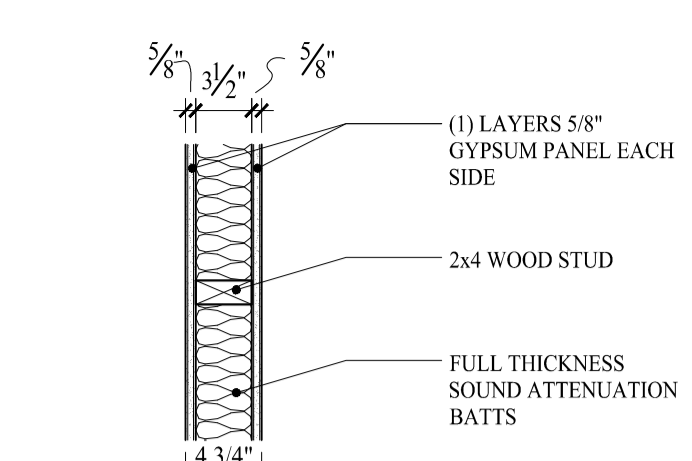


Date: 02/18/16

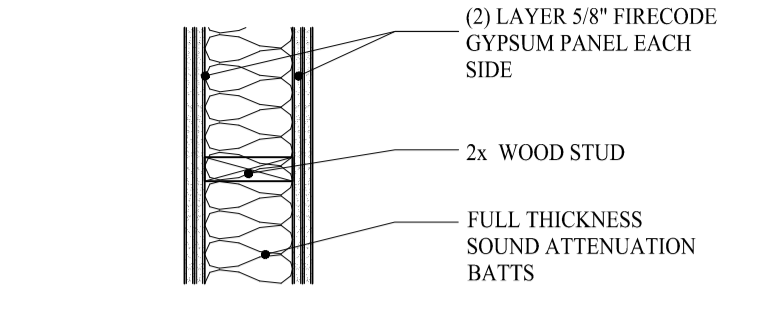


3.1 INTERIOR 2x6 WOOD STUD WALL
CAULK PERIMETER

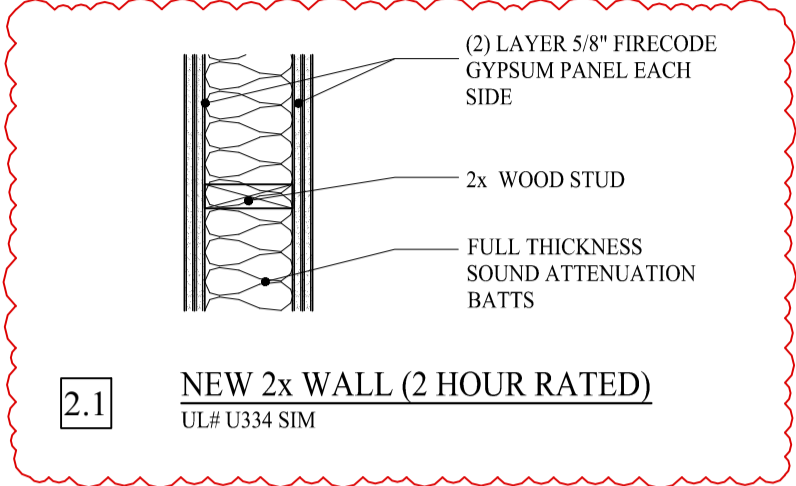
3.2 INTERIOR 2x6 WOOD STUD WALL (1 HOUR RATED)
UL# U305 SIM



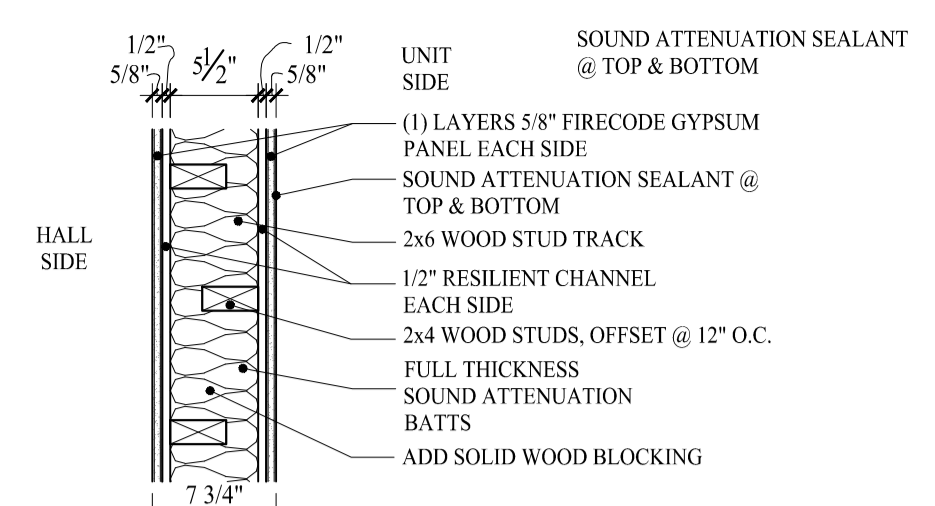
3.0 INTERIOR 2x4 WOOD STUD WALL
CAULK PERIMETER



2 EXIST 2x STAIR WALL (2 HOUR RATED)
UL# U334 SIM

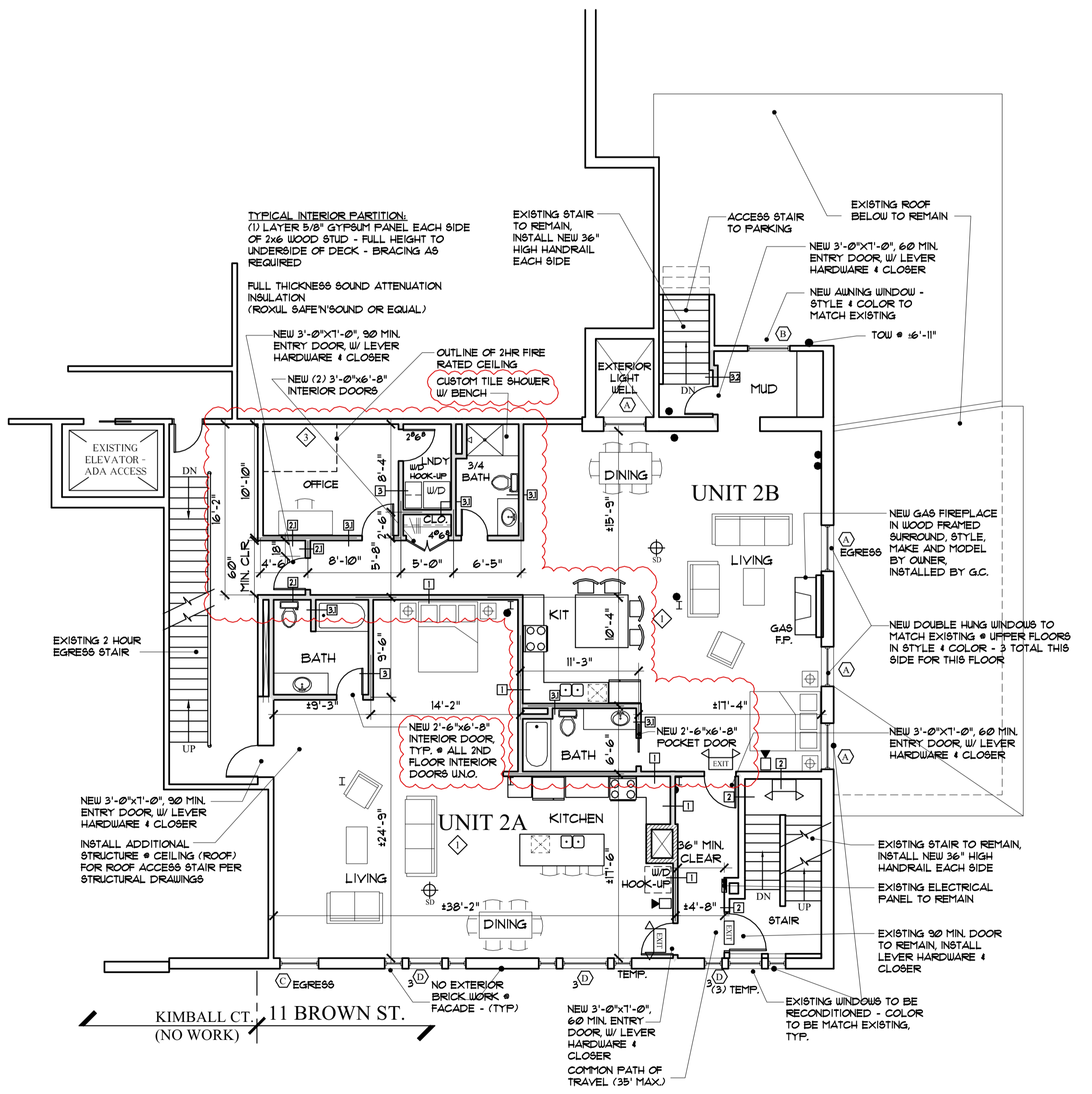
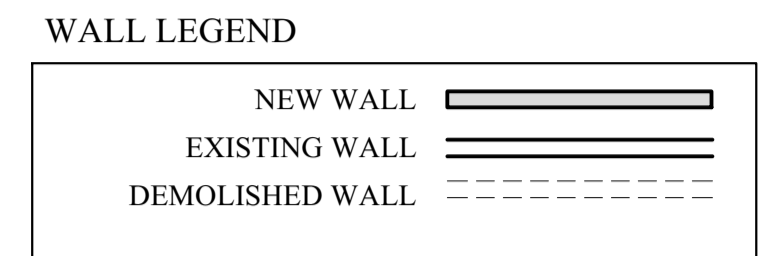


2.1 NEW 2x WALL (2 HOUR RATED)
UL# U334 SIM

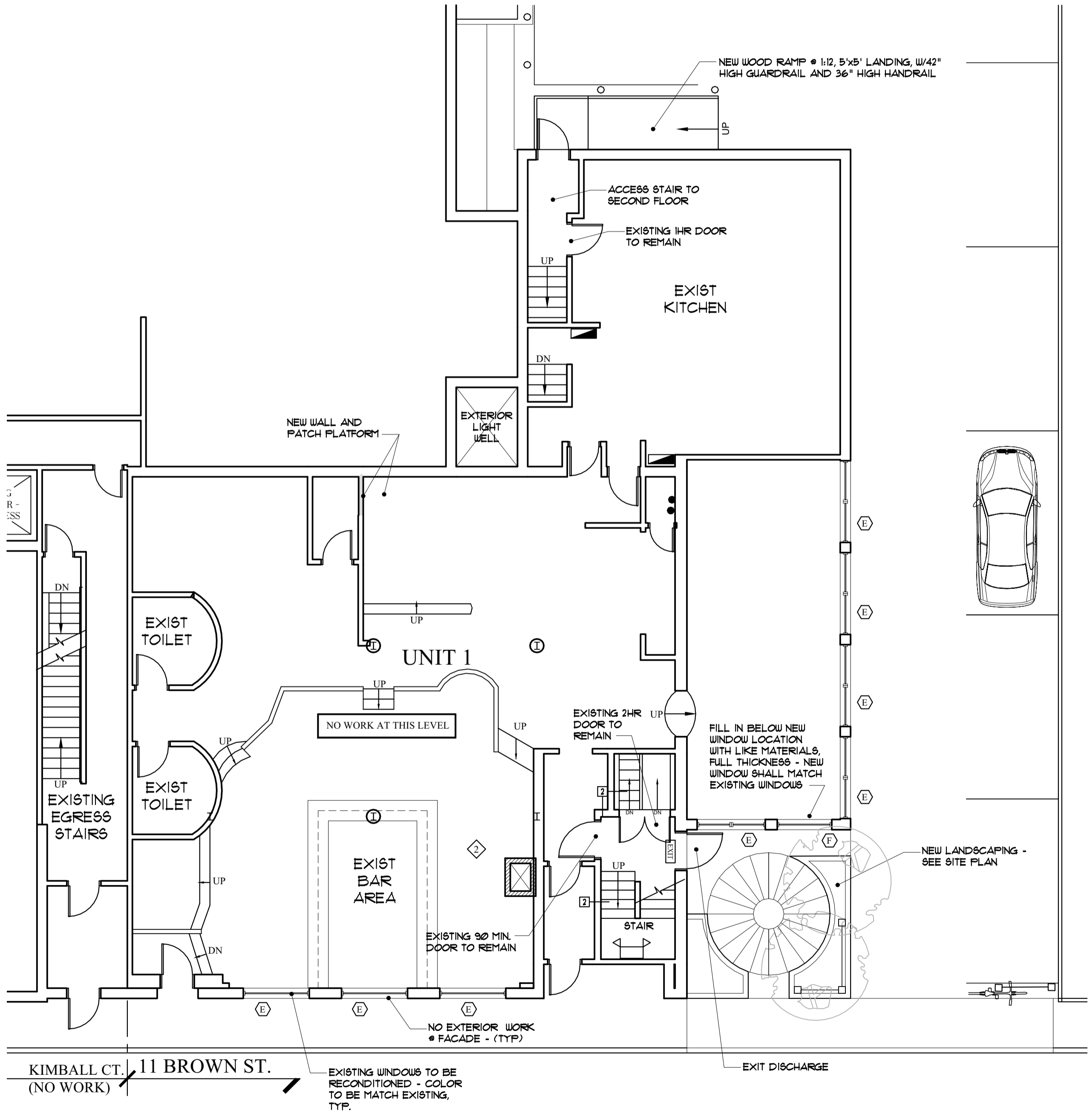


1 2x6 STUD WALL (1 HR. RATED)
(UL DESIGN: U375m) FIRE CAULK PERIMETER

NOTES: MOISTURE RESISTANT FIRECODE GWB @ BATHROOMS (DO NOT REMOVE GWB @ TUB-SHOWER LOCATIONS) EXTEND PARTY WALLS @ DETAIL 3.2 TO UNDERSIDE OF ROOF DECK FOR FIRE RATING AND SOUND ATTENUATION



SECOND FLOOR PLAN
SCALE: 1/8"=1'-0"



FIRST FLOOR PLAN
SCALE: 1/8"=1'-0"

- WINDOW NOTES:**
EGRESS AND TEMPERED AS PER PLAN.
- WINDOW SAFETY GLAZING SHALL BE LOCATED AS FOLLOWS, BUT NOT LIMITED TO:
ALL WINDOWS WITHIN 60" HORIZ. & VERT. DIMENSION OF STAIRS MUST BE TEMPERED.
ALL WINDOWS WITHIN 24" OF A DOOR SWING MUST BE TEMPERED.
ALL WINDOWS WITHIN A SHOWER ENCLOSURE MUST BE TEMPERED.
- ALL WINDOWS WITH SILLS BELOW 24" A.F.F. AND 72" ABOVE GRADE OR DECKS/ROOFS BELOW SHALL BE PROVIDED WITH WINDOW OPENING LIMITER DEVICES.
- A NEW DOUBLE HUNG WINDOW TO MATCH EXISTING. DOUBLE HUNG WINDOWS STYLE AND COLOR. MODIFY/CREATE OPENING PER PLAN
 - B NEW AWNING WINDOW TO MATCH EXISTING, DOUBLE HUNG WINDOWS STYLE AND COLOR. MODIFY/CREATE OPENING PER PLAN
 - C EXISTING WINDOW FRAME TO REMAIN, REPLACE SASHES, REFURBISH FRAME
 - D REFURBISH EXISTING WINDOW; STYLE, SHAPE AND COLOR TO REMAIN
 - E EXISTING TO REMAIN, NO WORK
 - F NEW WINDOW TO MATCH ADJACENT WINDOW.

FOR CONSTRUCTION

REVISED: FEBRUARY 15, 2016
BUILDING PERMIT: OCTOBER 20, 2015

MARK L. MUELLER ARCHITECTS
A.I.A.
100 Commercial Street
Suite 205
Portland, Maine 04101
Phone: 207.774.9057
Email: rfm@muellerarchitects.com

EASTMAN BLOCK CONDOS
11 BROWN STREET
PORTLAND, MAINE

PROJECT	11 BROWN STREET
DRAWN BY	MLM/TJD
CHECK BY	MLM

A-1.1