

**MONUMENT SQUARE
BUS SHELTER**

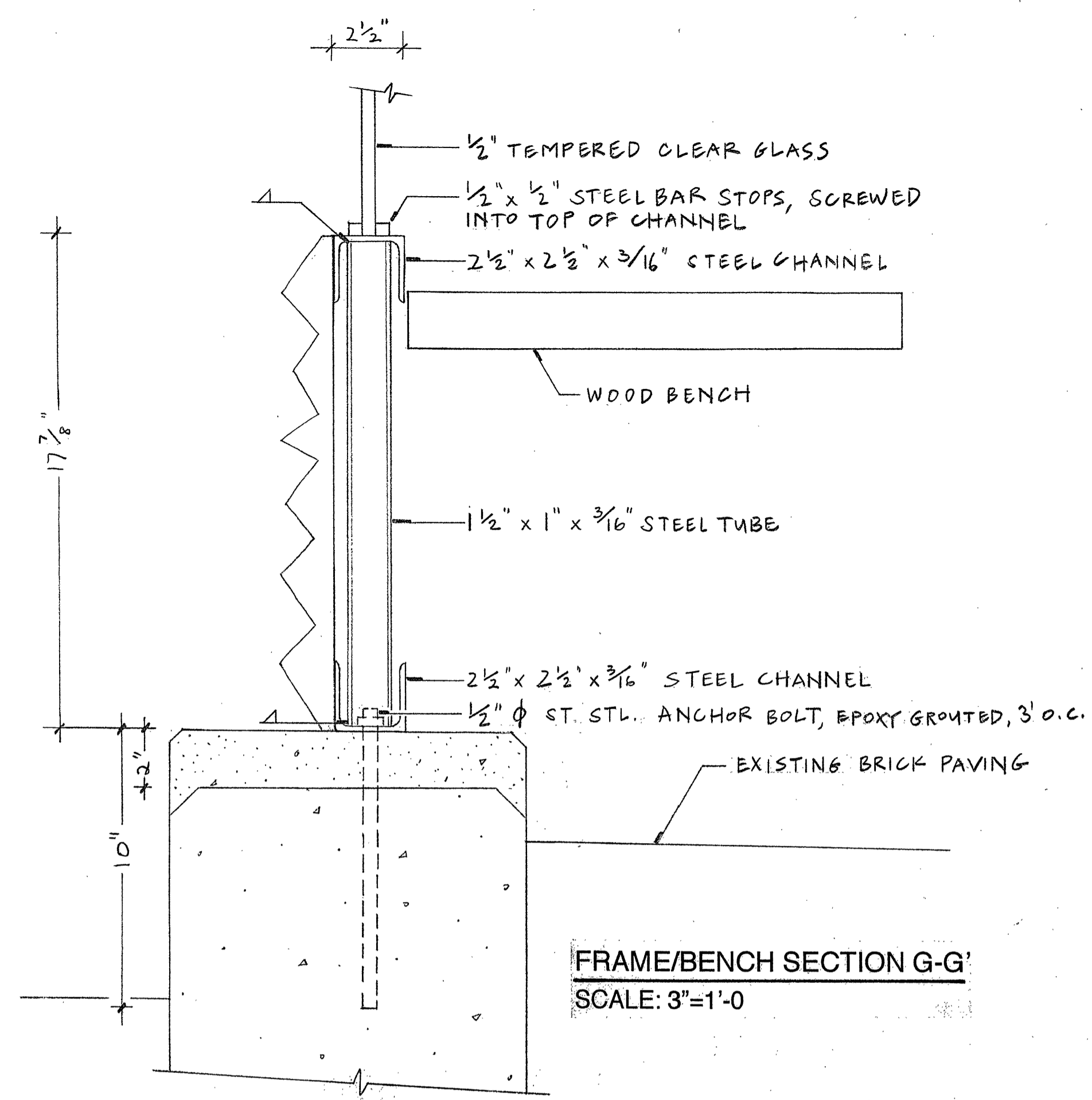
CONGRESS STREET
PORTLAND, MAINE

ARTISTS:

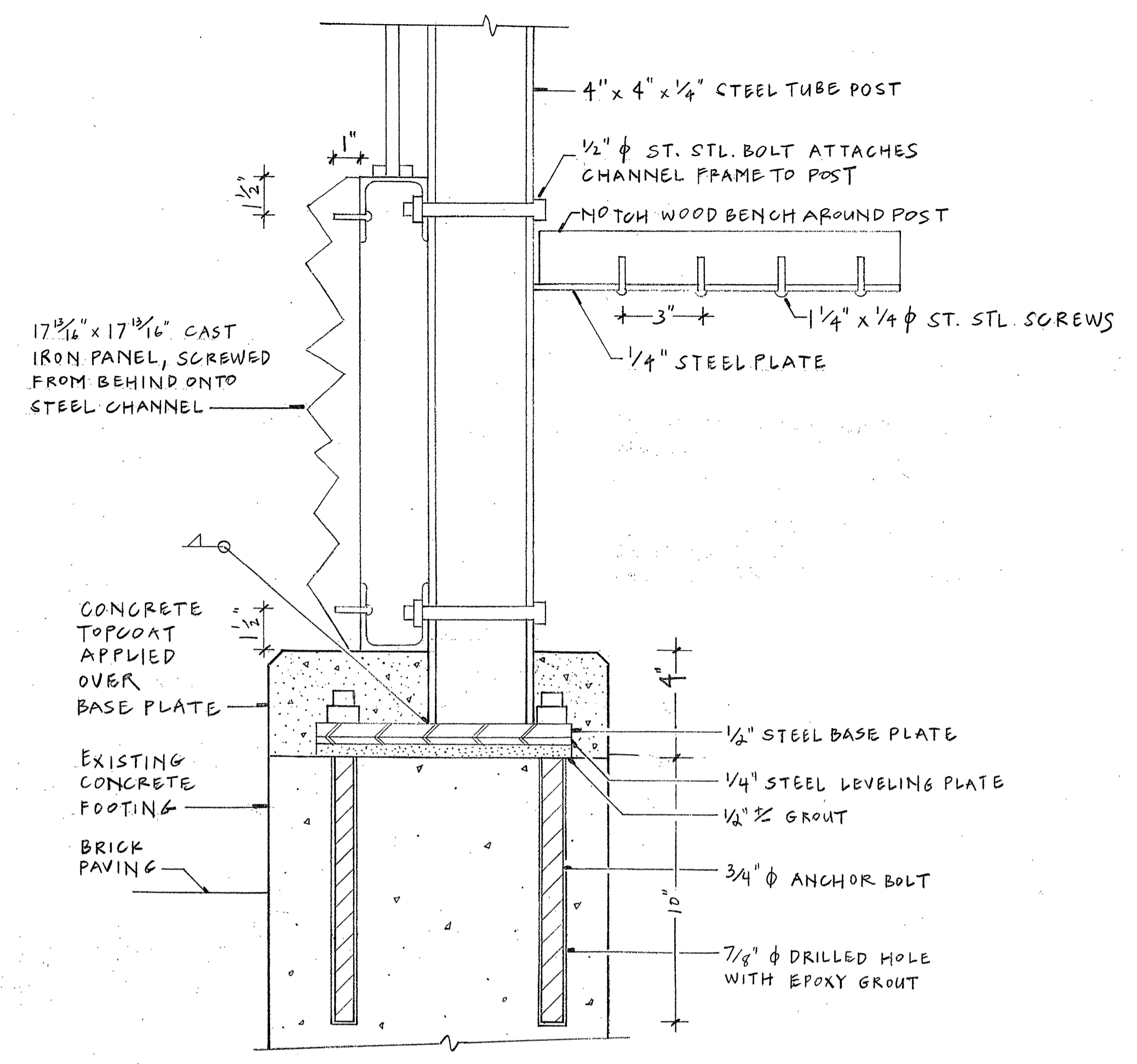
HADDAD|DRUGAN LLC
2803 S. Bayview Street
Seattle, Washington 98144
www.haddad-drugan.com
206-523-4256

**STRUCTURAL
ENGINEER:**

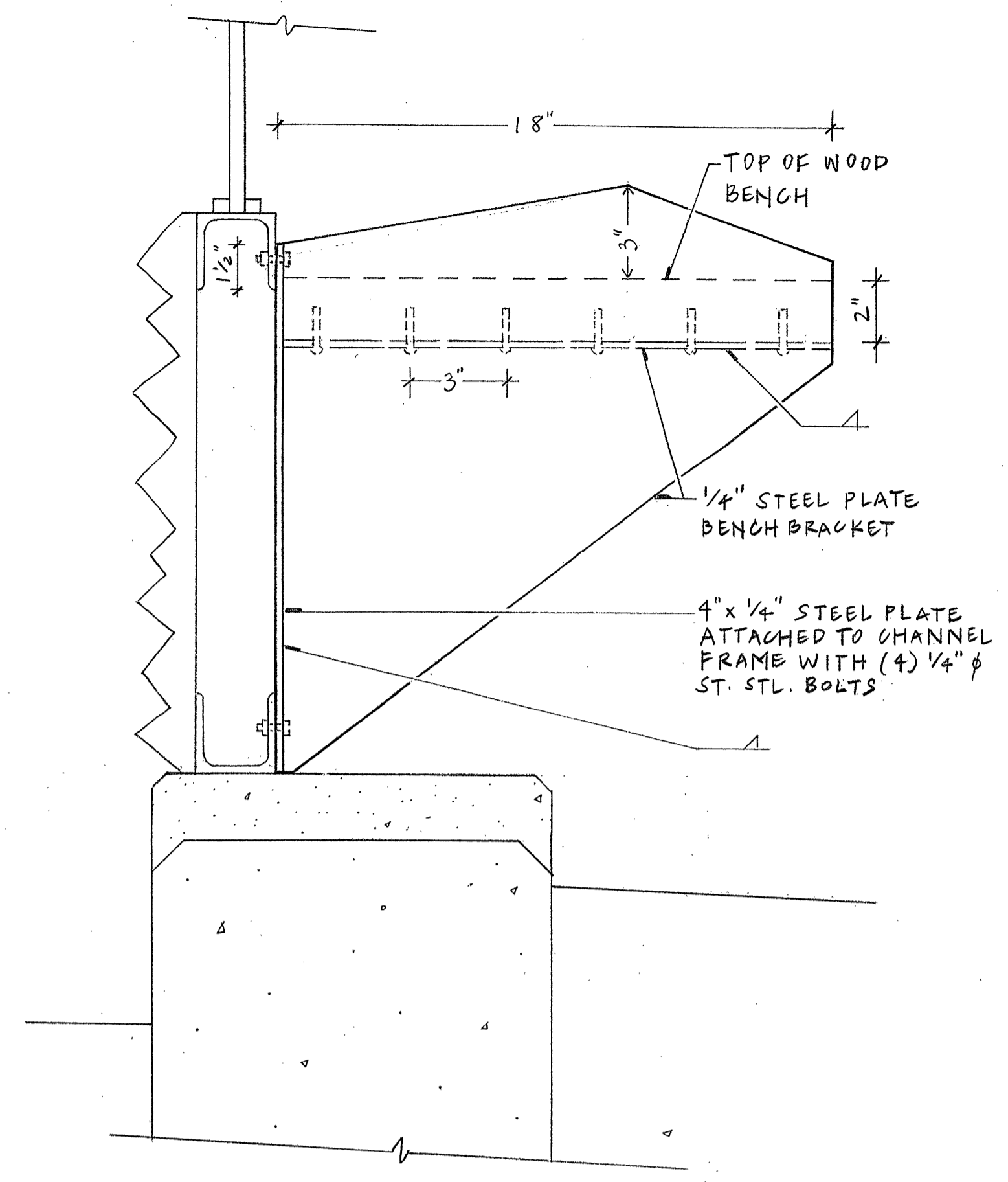
Structural Design Consulting, Inc.
22 Oakmont Drive
Old Orchard Beach, Maine 04064
207-934-8038



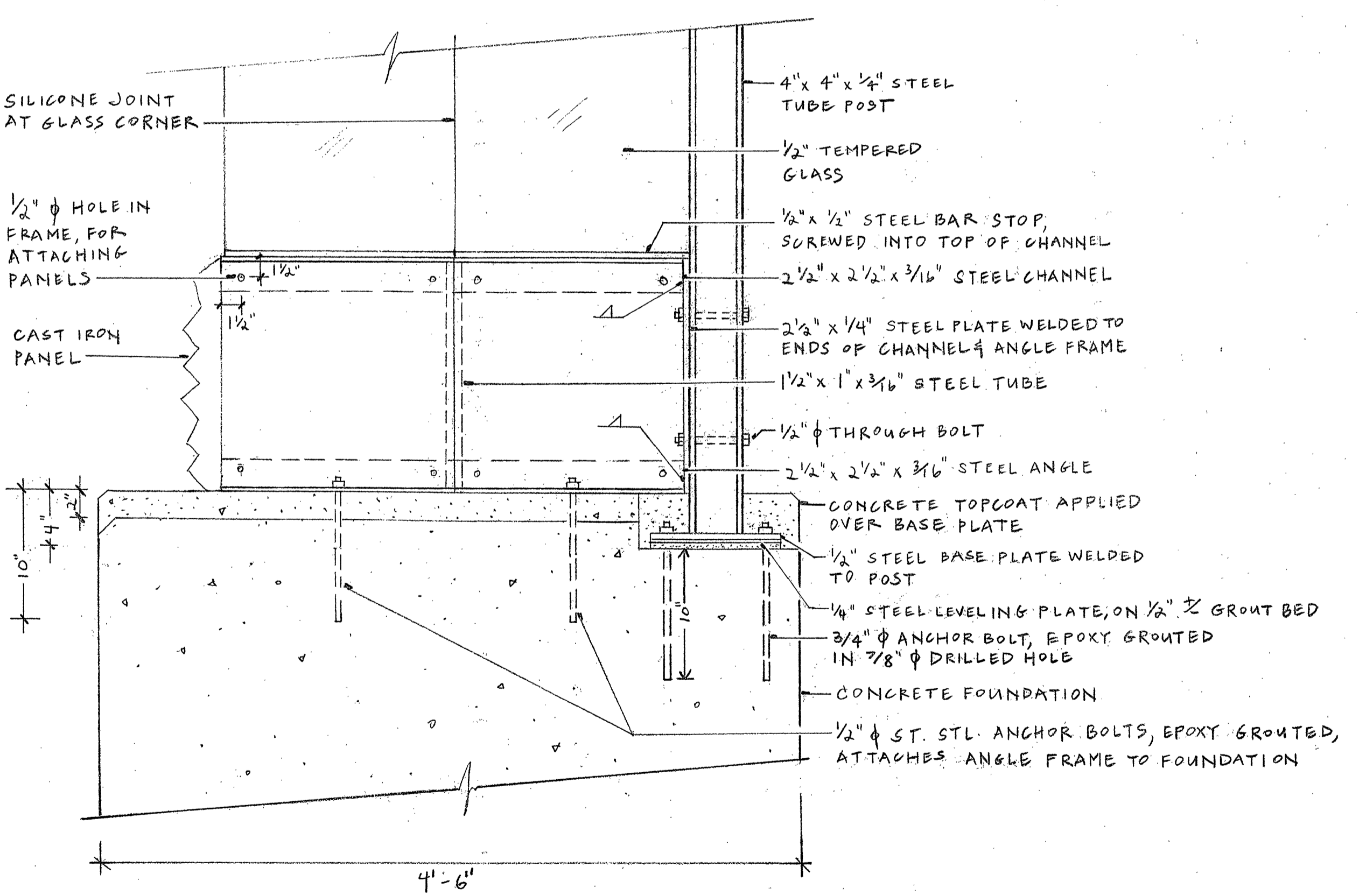
FRAME/BENCH SECTION G-G'
SCALE: 3"=1'-0"



FRAME/BENCH SECTION H-H'
SCALE: 3"=1'-0"



FRAME/BENCH SECTION I-I'
SCALE: 3"=1'-0"



FRAME SECTION J-J'
SCALE: 1 1/2"=1'-0"

JULY 2004

**FRAME & BENCH
DETAILS**