

**MONUMENT SQUARE  
BUS SHELTER**

CONGRESS STREET  
PORTLAND, MAINE

**ARTISTS:**

**HADDAD|DRUGAN LLC**  
2803 S. Bayview Street  
Seattle, Washington 98144  
www.haddad-drugan.com  
206-523-4256

**STRUCTURAL  
ENGINEER:**

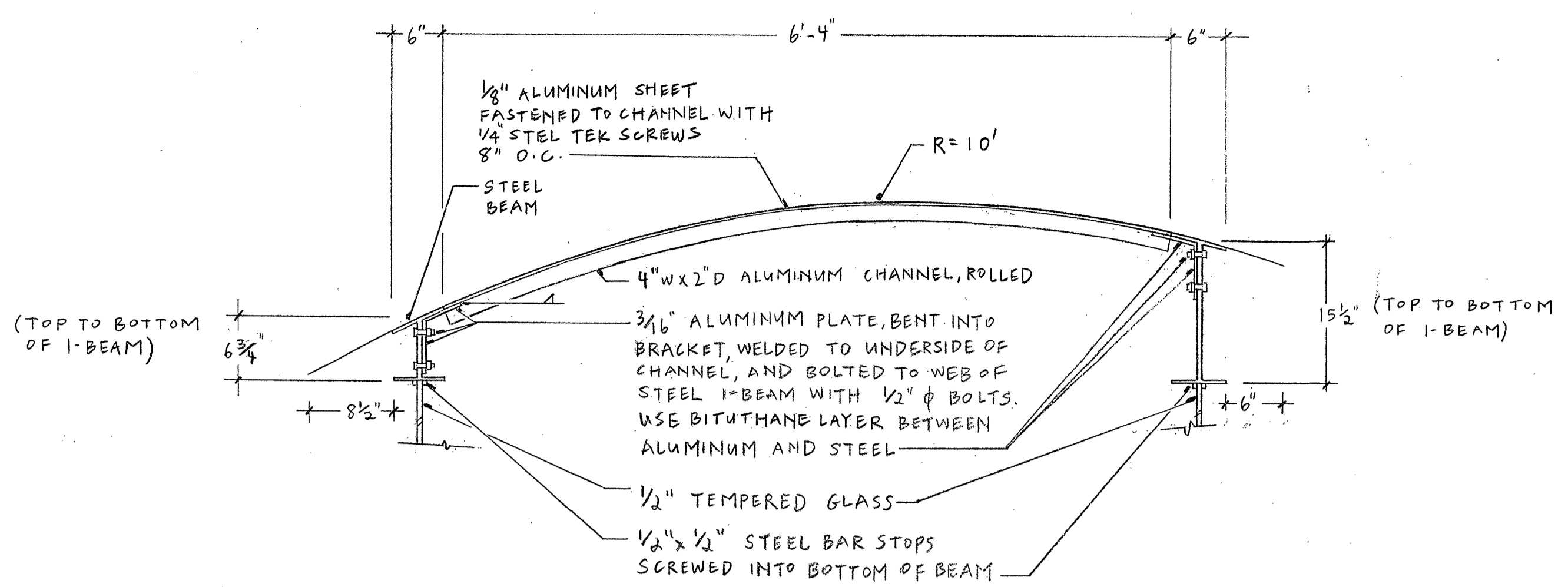
**Structural Design Consulting, Inc.**  
22 Oakmont Drive  
Old Orchard Beach, Maine 04064  
207-934-8038



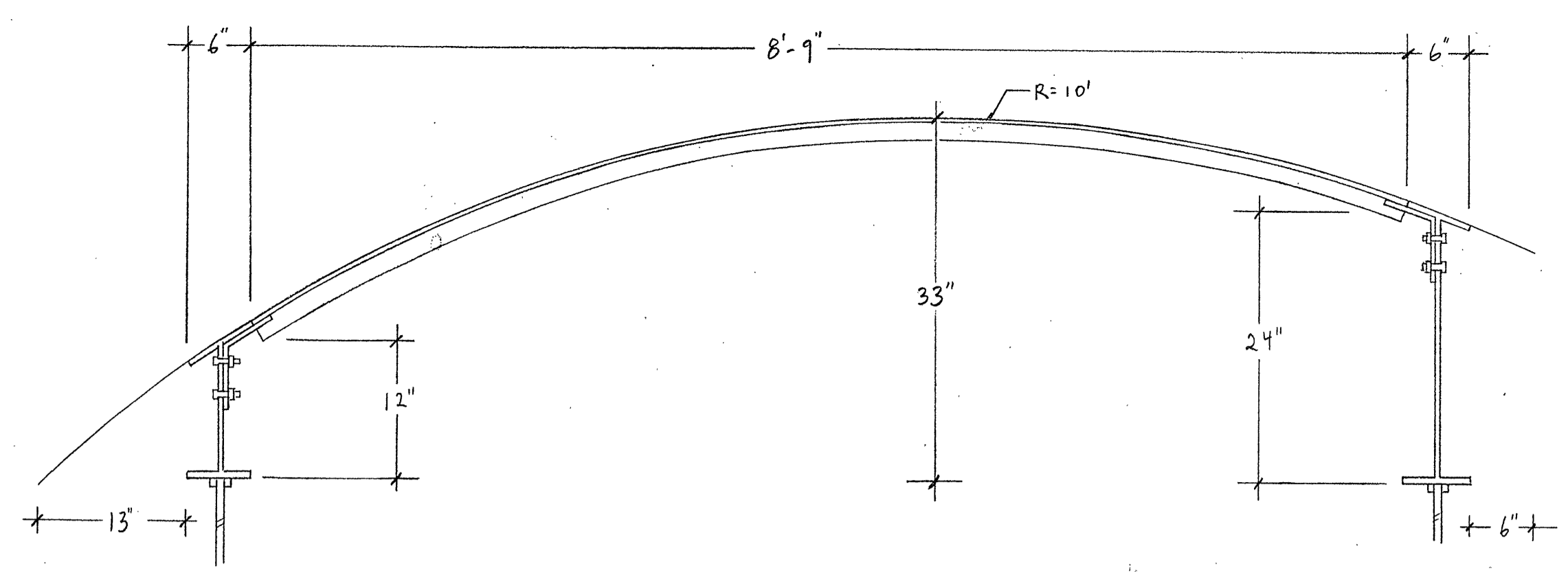
JULY 2004

**RAFTER DETAILS**

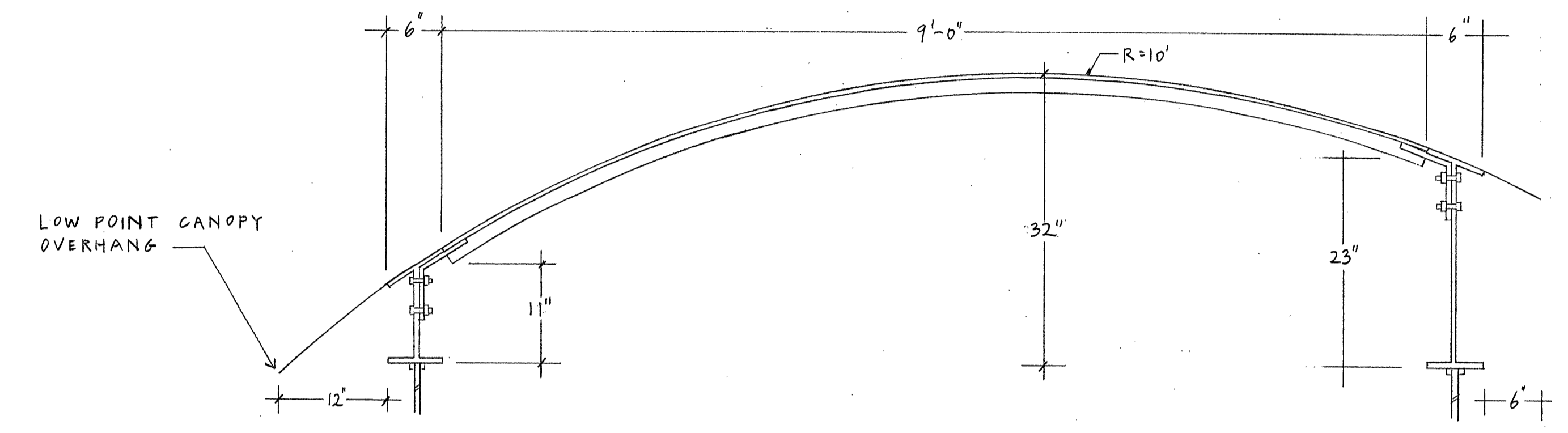
**SHEET 5**



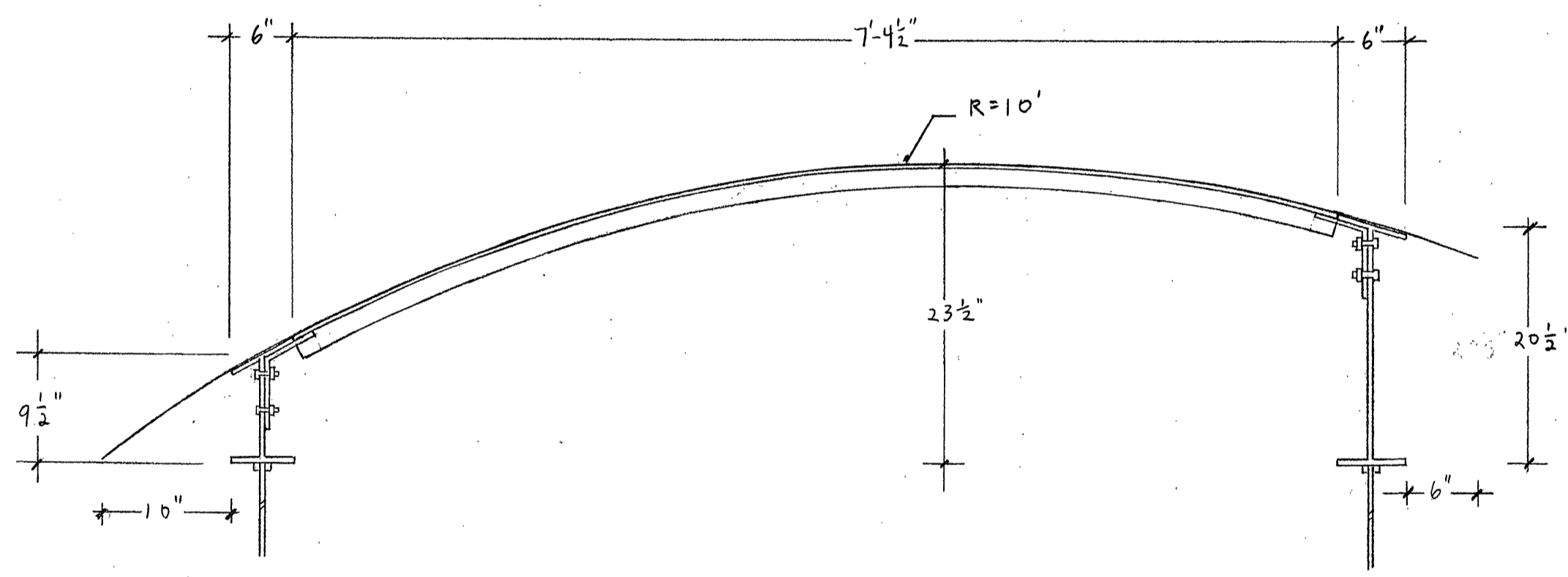
**RAFTER SECTION N-N'**  
SCALE: 1"=1'-0"



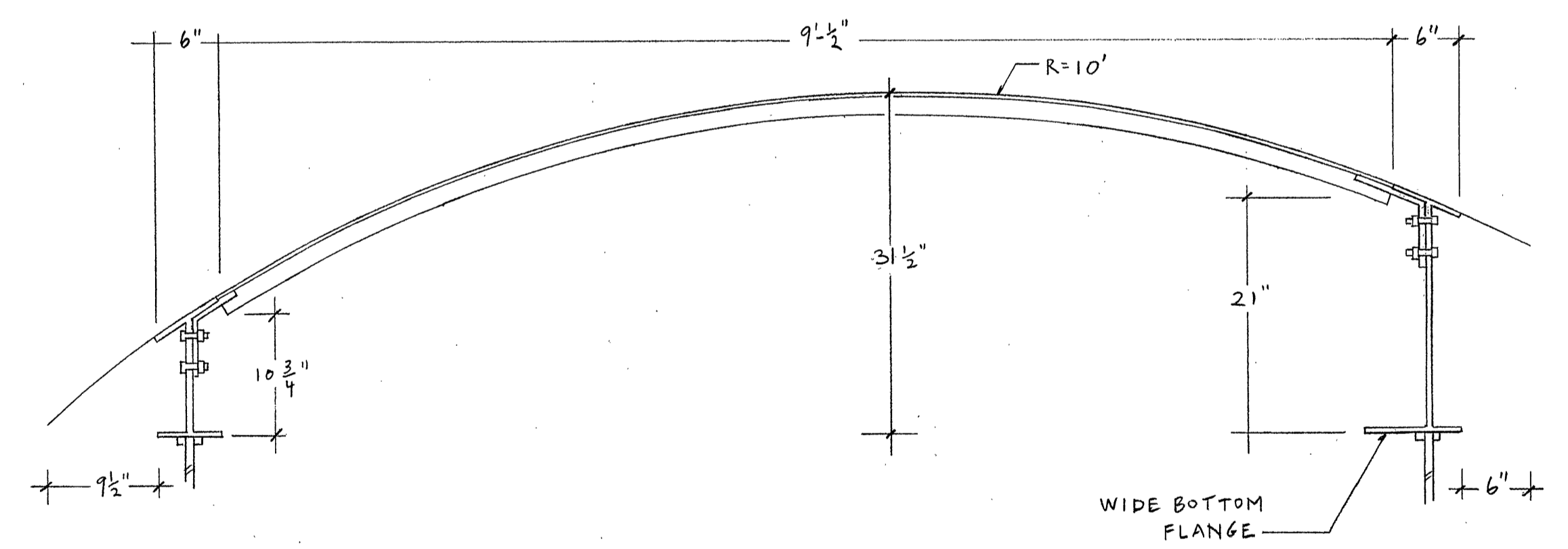
**RAFTER SECTION Q-Q'**  
SCALE: 1"=1'-0"



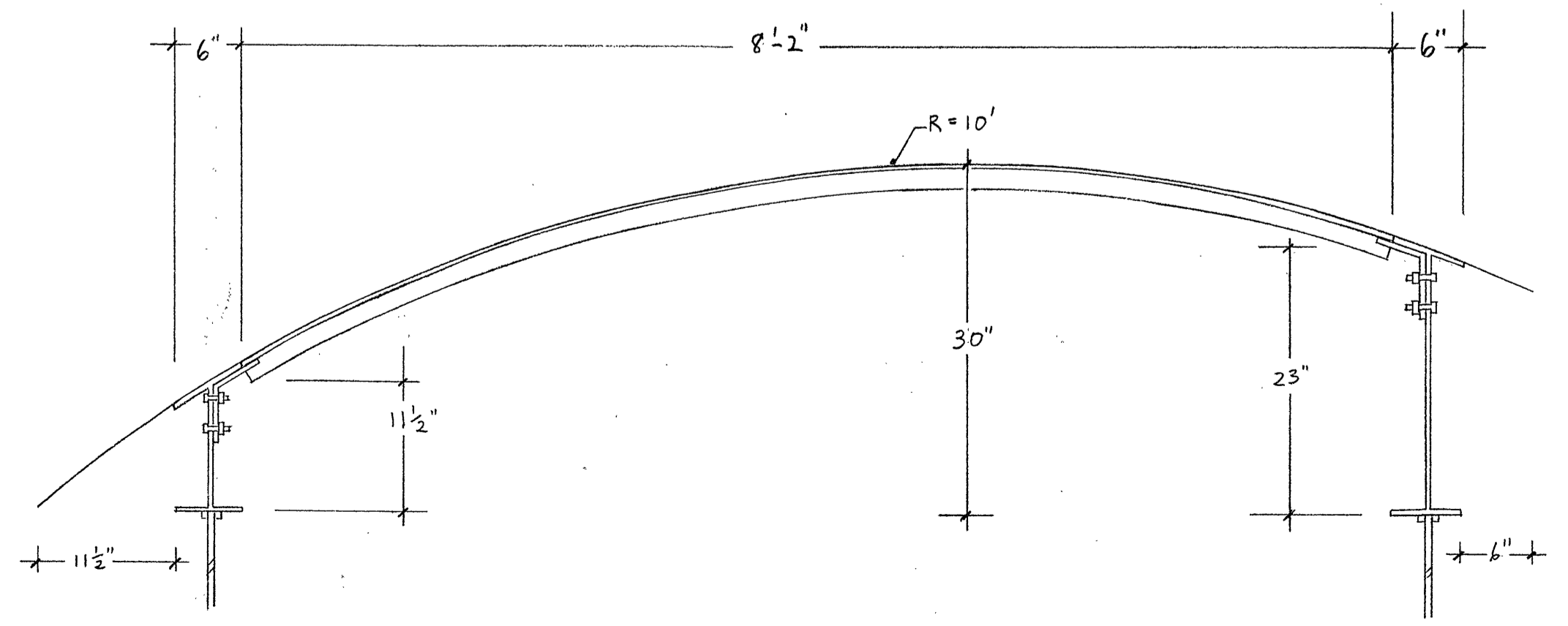
**RAFTER SECTION R-R'**  
SCALE: 1"=1'-0"



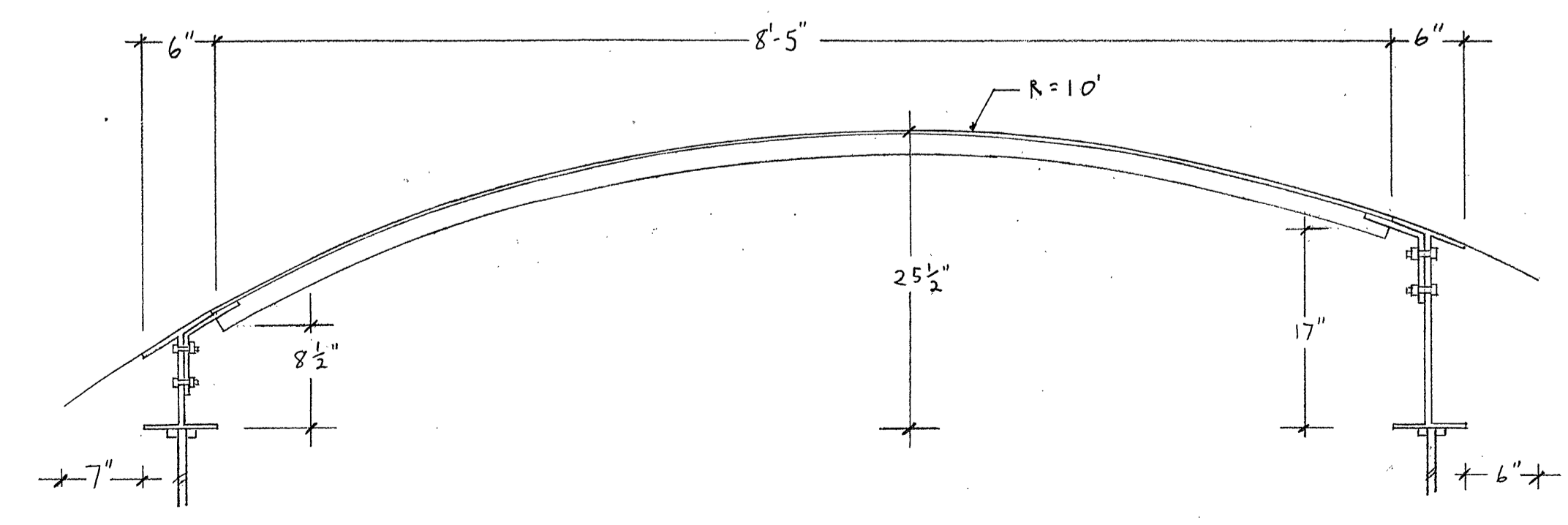
**RAFTER SECTION O-O'**  
SCALE: 1"=1'-0"



**RAFTER SECTION S-S'**  
SCALE: 1"=1'-0"



**RAFTER SECTION P-P'**  
SCALE: 1"=1'-0"



**RAFTER SECTION T-T'**  
SCALE: 1"=1'-0"