

**MONUMENT SQUARE  
BUS SHELTER**

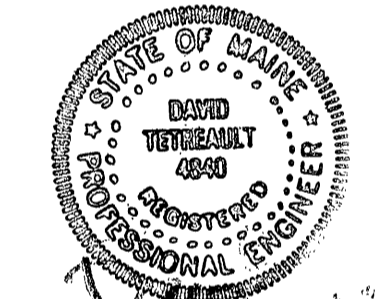
CONGRESS STREET  
PORTLAND, MAINE

**ARTISTS:**

HADDAD|DRUGAN LLC  
2803 S. Bayview Street  
Seattle, Washington 98144  
www.haddad-drugan.com  
206-523-4256

**STRUCTURAL  
ENGINEER:**

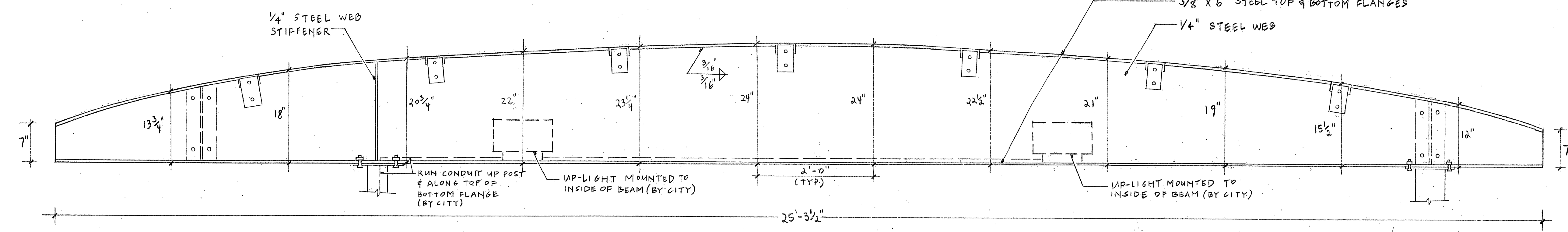
Structural Design Consulting, Inc.  
22 Oakmont Drive  
Old Orchard Beach, Maine 04064  
207-934-8038



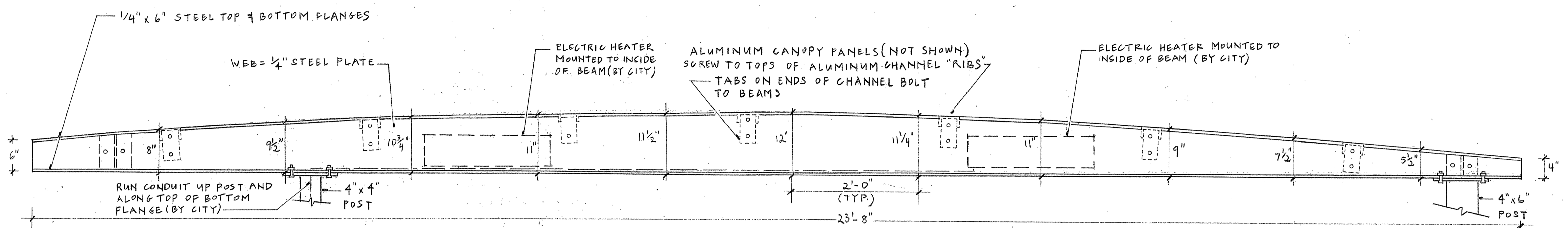
JULY 2004

ROOF

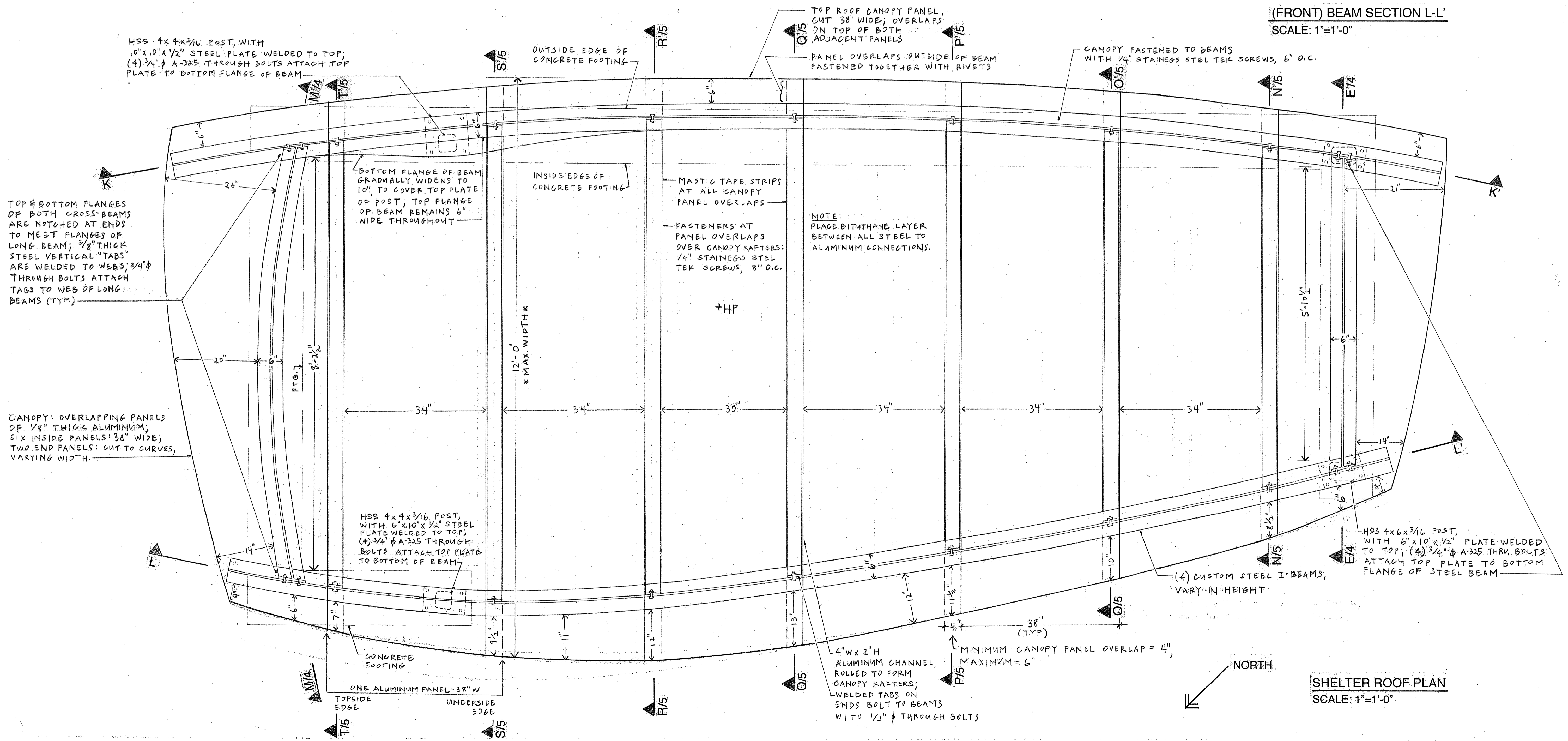
SHEET 3



(BACK) BEAM SECTION K-K'  
SCALE: 1"=1'-0"



(FRONT) BEAM SECTION L-L'  
SCALE: 1"=1'-0"



SHELTER ROOF PLAN  
SCALE: 1"=1'-0"