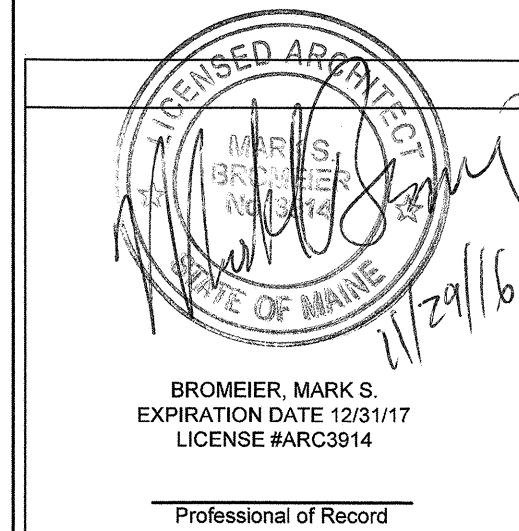




CASCO
10877 WATSON ROAD
ST. LOUIS, MO 63127
PROJECT MANAGERS

ISSUED DATES	
△ OWNER	11-23-16
△ BID/PERMIT	11-28-16
REVISIONS	

pure barre
PURE BARRE
492 CONGRESS STREET
PORTLAND, ME 04101



DRAWN BY

CHECKED BY

PROJECT NUMBER

316157

SHEET NAME

DETAILS

AND

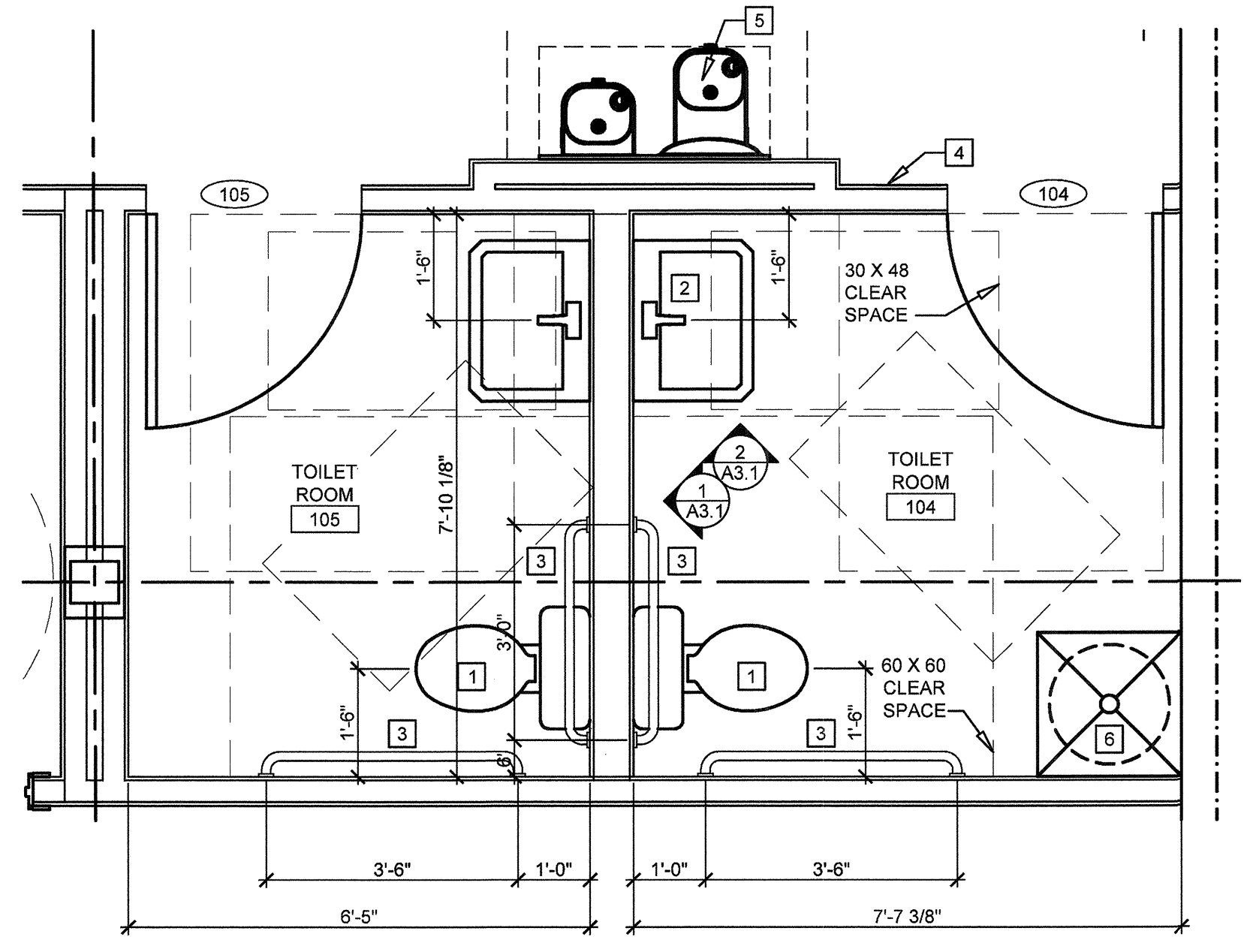
SCHEDULES

SHEET NUMBER

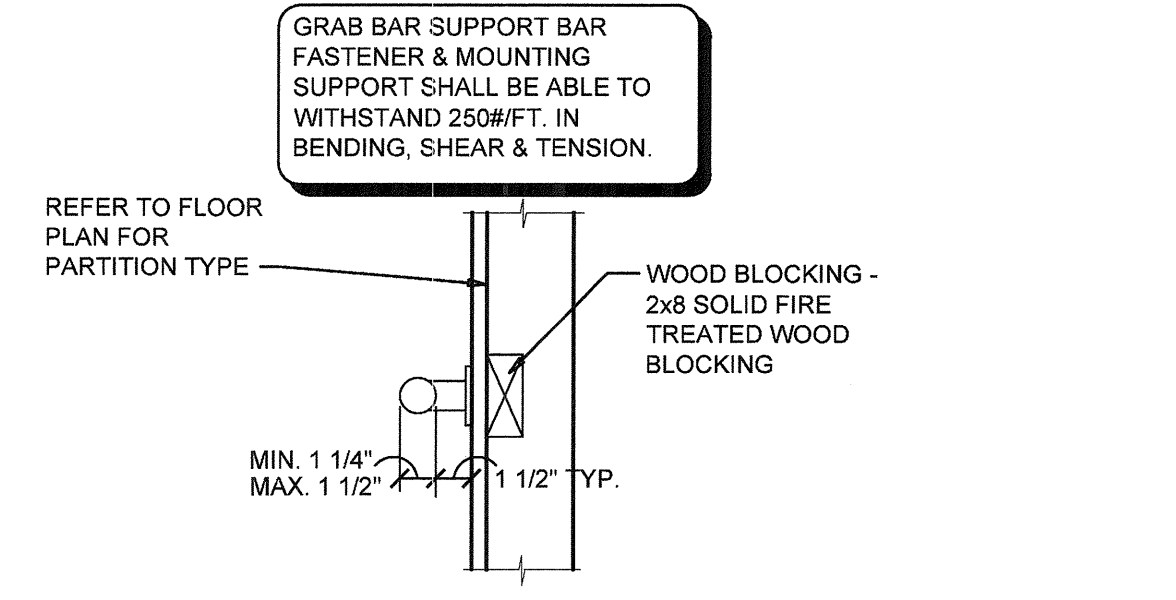
A3.1

TOILET ROOM PLAN NOTES:

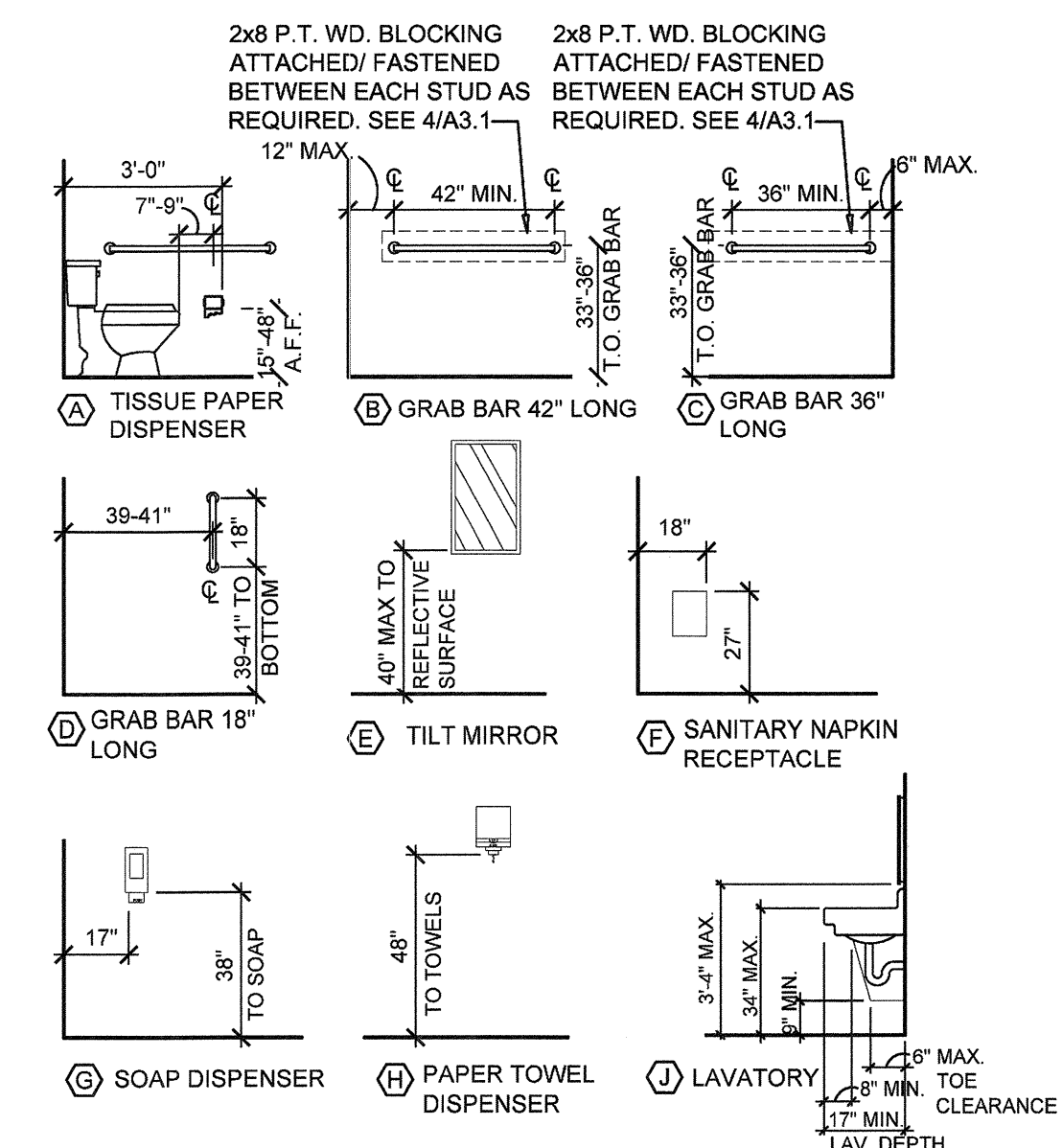
- 1 NEW TOILET. SEE PLUMBING DWGS FOR MORE INFORMATION.
- 2 NEW LAVATORY. SEE PLUMBING DWGS FOR MORE INFORMATION.
- 3 NEW GRAB BARS. SEE TOILET ROOM ELEVATIONS.
- 4 NEW TOILET ROOM SIGNAGE (BY OWNER). SEE 5/A3.1.
- 5 ELKAY LZWS-EDFP217K WALL MOUNTED BARRIER FREE DRINKING FOUNTAIN WITH EZH20 BOTTLE FILLING STATION
- 6 MOP SINK



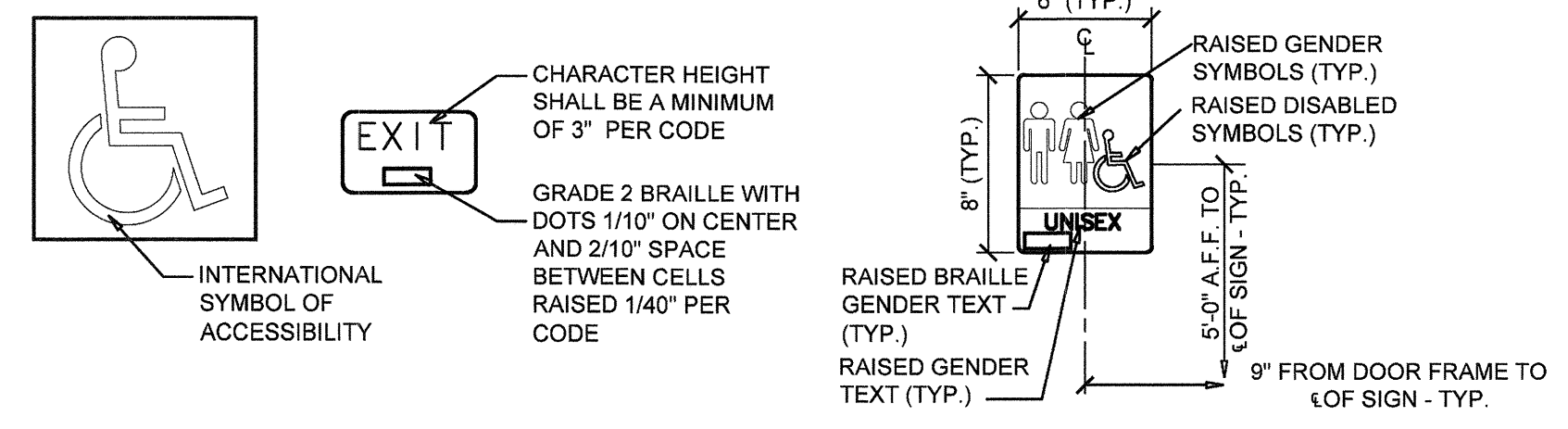
6 ENLARGED TOILET PLAN
A3.1 SCALE: 1/2" = 1'-0"



4 GRAB BAR DETAIL
A3.1 SCALE: 1 1/2" = 1'-0"

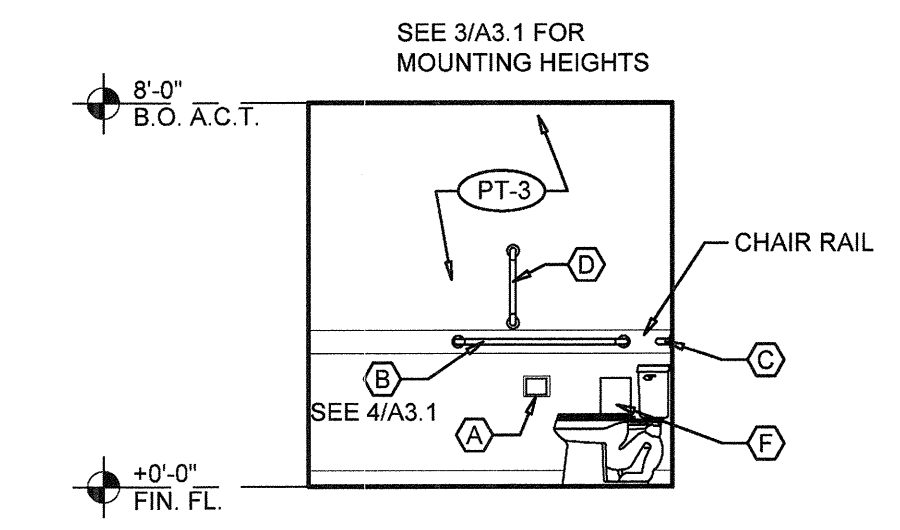


3 ACCESSORY MOUNTING HEIGHTS
A3.1 SCALE: 1/4" = 1'-0"

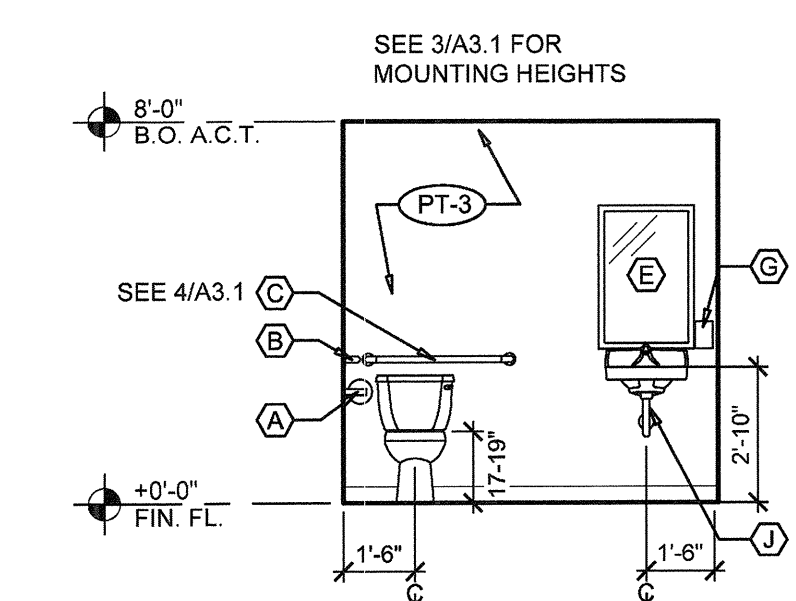


- NOTES:**
- SIGNS SHALL CONFORM TO ANSI OR LOCAL ACCESSIBILITY GUIDELINES WHICHEVER IS MORE STRINGENT.
 - ALL BUILDINGS AND ENTRANCES THAT ARE ACCESSIBLE AND USABLE BY PERSONS WITH DISABILITIES SHALL BE IDENTIFIED WITH A MINIMUM OF ONE INTERNATIONAL SYMBOL OF ACCESSIBILITY.
 - G.C. TO PROVIDE TACTILE "EXIT" SIGNS AT ALL GRADE LEVEL EXIT DOORS PER CODE.
 - SIGNS TO BE INSTALLED ON THE LATCH SIDE OF THE DOOR, OR IF NO SPACE ON THE NEAREST WALL PREFERABLY ON THE RIGHT. SIGNAGE SHALL HAVE NON GLARE FINISH W/ A CONTRASTING BACKGROUND.

5 ACCESSIBLE SIGNAGE
A3.1 SCALE: 1 1/2" = 1'-0"



2 TOILET ELEVATION (TYP.)
A3.1 SCALE: 1/4" = 1'-0"



1 TOILET ELEVATION (TYP.)
A3.1 SCALE: 1/4" = 1'-0"

TOILET ACCESSORIES LEGEND

MARK	DESCRIPTION	MANUFACTURER	MODEL NUMBER	MOUNTED HEIGHT
A	TISSUE PAPER DISPENSER	EQUIVALENT TO GEDY	GE24-13	15"-48" A.F.F. TO B.O. ROLL
B	GRAB BAR (STAINLESS STEEL)	EQUIVALENT TO BOBRICK	B-6806 X 48" 304	33"-36" TO T.O. GRAB BAR
C	GRAB BAR (STAINLESS STEEL)	EQUIVALENT TO BOBRICK	B-6806 X 36" 304	33"-36" TO T.O. GRAB BAR
D	GRAB BAR (STAINLESS STEEL)	EQUIVALENT TO BOBRICK	B-6806 X 18" 304	39"-41" TO B.O. GRAB BAR
E	MIRROR	EQUIVALENT TO BOBRICK	B-280-18x30	38" A.F.F. TO B.O. REFLECT. SURFACE
F	SANITARY NAPKIN RECEPTACLE	BY OWNER		27" A.F.F. TO TOP
G	SOAP DISPENSER	EQUIVALENT TO GEDY	FE81-13	38" TO SOAP
H	PAPER TOWEL DISPENSER	EQUIVALENT TO GEDY	GE2436	48" TO TOWELS
J	SINK PIPING COVER	EQUIVALENT TO TRUEBRO	LAV GUARD 2	PHONE: 1.800.340.5969

- GENERAL NOTES:**
- CONTRACTOR SHALL COORDINATE LOCATION OF ALL VENT AND/OR PLUMBING PIPES IN WALLS BEHIND ALL RECESSED ACCESSORIES AS REQUIRED.
 - HOT WATER AND DRAIN PIPES UNDER LAVATORIES SHALL BE INSULATED IN ALL SPACES WITH GRAB BARS.
 - FINALIZE ALL ACCESSORIES WITH TENANT.

- TOILET ROOM NOTES:**
- FRP ON PLUMBING WALLS TO 48" A.F.F.
 - A. IF BATHROOM FLOORS ARE IN BAD CONDITION AND CANNOT BE STAINED TILE WILL BE ALLOWED ON THE FLOOR ONLY W/ TILE BASE.
 - B. ALL BATHROOM WALLS WILL BE PAINTED TREE BARK EGG SHELL AND INSTALL 1 X 6 CHAIR RAIL AT SAME HEIGHT AS ADA GRAB BAR.
 - C. NO CHAIR RAIL AT WALL WHERE SINK OR TOILET IS LOCATED.
 - D. IF BATHROOM FLOORS ARE STAINED USE OAK BASE.
 - OAK BASE, CHAIR RAIL, CASING:
 - ANY AREAS THAT HAVE CONTACT W/ WATER OR MASONRY WHERE OAK TRIM WILL BE INSTALLED MUST BE COATED ON ALL SIDES W/ SAND AND SEALER TO KEEP WOOD FROM CUPPING.

FINISH SCHEDULE

MARK	TITLE	FLOOR	BASE	WALLS				CEILING	CEILING HEIGHT	REMARKS
				NORTH	EAST	SOUTH	WEST			
101	RECEPTION	WF-1	WB-1	PT-1	PT-1	PT-1	PT-1	GYP. BD	OPEN	PAINT CEILING PT-4
102	STUDIO	CPT-1	WB-1	PT-2	PT-2	PT-2	PT-2	GYP. BD.	12'-0"	PAINT CEILING PT-4
103	SITTING ROOM	WF-1	WB-1	PT-1	PT-1	PT-1	PT-1	GYP. BD	OPEN	PAINT CEILING PT-4
104	TOILET ROOM	T-1	6" T-1	T-1	T-1	T-1	T-1	ACT	8'-0"	-
105	TOILET ROOM	T-1	6" T-1	T-1	T-1	T-1	T-1	ACT	9'-0"	-
106	FITTING ROOM	CPT-1	WB-1	PT-1	PT-1	PT-1	PT-1	OPEN	OPEN	-
107	MECHANICAL ROOM	CPT-1	WB-1	PT-2	PT-2	PT-2	PT-2	GYP. BD.	12'-0"	PAINT CEILING PT-4

FINISH NOTES		ABBREVIATIONS	
1. WHERE PATCHING OCCURS IN A SMOOTH PAINTED SURFACE, EXTEND FINAL PAINT COAT OVER ENTIRE UNBROKEN SURFACE CONTAINING THE PATCH, AFTER THE PATCHED AREA HAS RECEIVED PRIMER AND SECOND COAT. 2. THE CONTRACTOR SHALL PROTECT ALL ADJACENT MATERIALS AND EQUIPMENT AGAINST DAMAGE FROM SPILLAGE, DRIPPING AND SPATTER OF COATING MATERIALS. ALL BUILDING MATERIALS AND EQUIPMENT SHALL BE LEFT CLEAN, WITH ALL DAMAGED SURFACES CORRECTED. PROVIDE "WET PAINT" SIGNS TO INDICATE NEWLY PAINTED SURFACES.		SC STAINED CONCRETE WB WALL BASE CPT CARPET PT PAINT GYP BD GYPSUM BOARD ACT ACOUSTICAL CEILING PANEL	CEILING SPECIFICATION ACOUSTICAL CEILING SYSTEM EXPOSED TEE GRID USG DOWN DX GRID SYSTEM AS MANUFACTURED BY USG INTERIORS OR EQUIVALENT. HANGER WIRE, MINIMUM 12 GA. AWG GALVANIZED SOFT ANNEALED, MILD STEEL WIRE. HANGER CLIPS, PREFABRICATED METAL CLAMPS FOR FASTENING TO STRUCTURAL STEEL MEMBERS. ACOUSTICAL UNITS 2' X 2' MINERAL FIBER LAY-IN, 3/4" THICK ASTRO "CLIMAPLUS" AS MANUFACTURED BY USG INDUSTRIES OR EQUIVALENT.
COLOR & FINISH SCHEDULE		PAINT	
WOOD FLOOR WF1 MANUFACTURER: ARMSTRONG NATIONAL CREATIONS AMERICAN COLOR: ROAN OAK DRIFTWOOD GRAY SKU# TP038	PT-1 MANUFACTURER: SHERWIN WILLIAMS COLOR: ADAPTIVE SHADE - SW 7053 FINISH: EGGSHELL		
CARPETING (TENANT PROVIDED / CONTRACTOR INSTALLED) CPT-1 MANUFACTURER: SHAW INDUSTRIES STYLE: PHILADELPHIA "SPEAK EASY" #54450 COLOR: SOFT APPROACH # 50501 W STALOC 140Z ATTACHED CUSHION	PT-2 MANUFACTURER: SHERWIN WILLIAMS COLOR: THRESHOLD TAUPE - SW 7501 FINISH: MATTE		
WALL BASE WB-1 1" X 6" #1 RED OAK & 3/4" SHOE, SANDED SMOOTH AND SEALED (SHOE ONLY AT STUDIO SIDE)	PT-3 MANUFACTURER: PPG INDUSTRIES COLOR: TREE BARK - 321B-5 FINISH: EGGSHELL		
PORCELAIN TILE T-1 PRODUCT: TESSUTO LINEN NUTMEG CERAMIC TILE MODEL: 911400188 SIZE: 12 X 24 * USE MATCHING 4" COVE TILE FOR BASE WHEN APPLICABLE	PT-4 MANUFACTURER: SHERWIN WILLIAMS COLOR: BLACK SWAN - SW 6279 FINISH: DRYFALL		
	PT-5 MANUFACTURER: SHERWIN WILLIAMS COLOR: CEILING BRIGHT WHITE - SW 7007 FINISH: EGGSHELL		