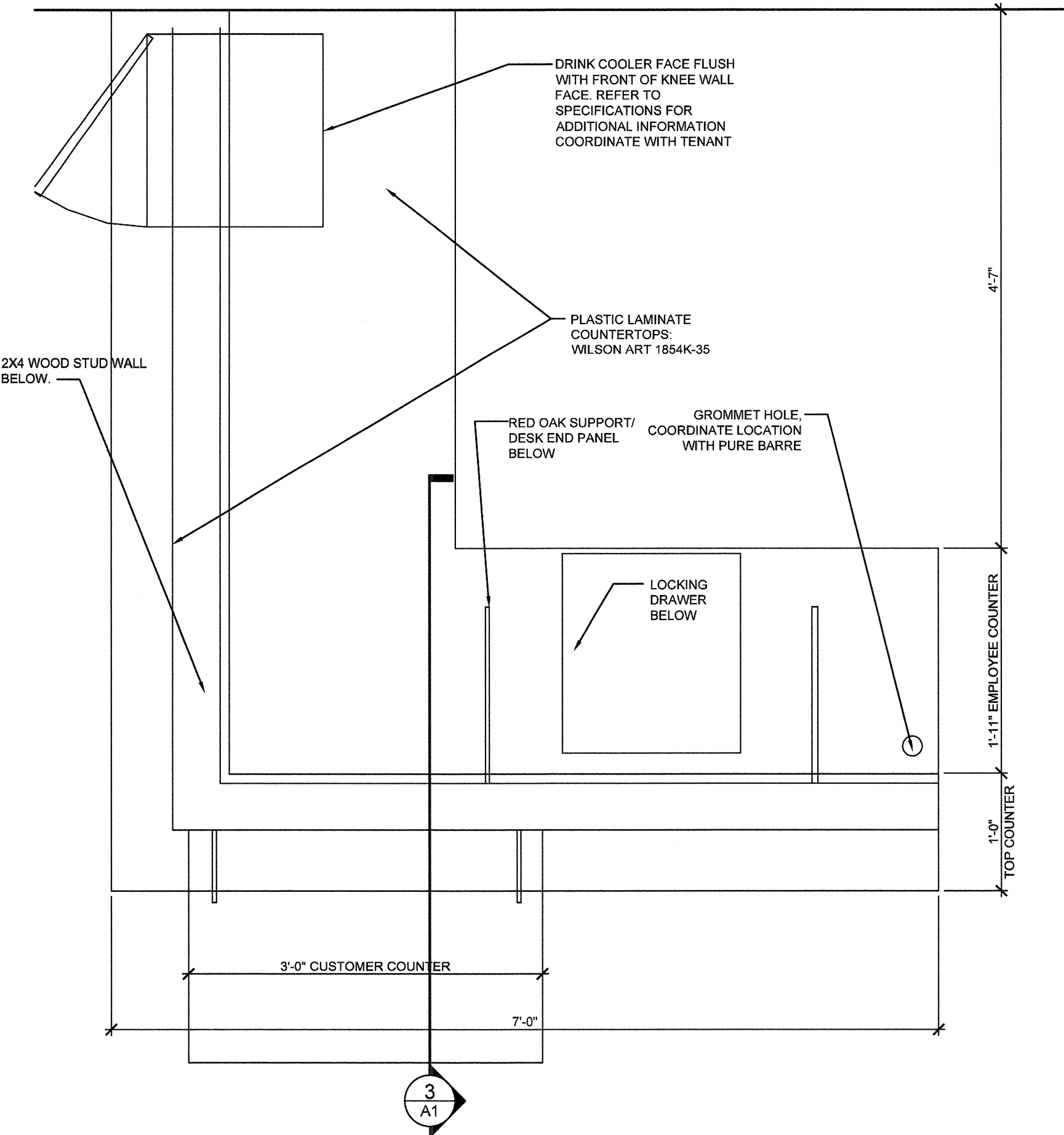
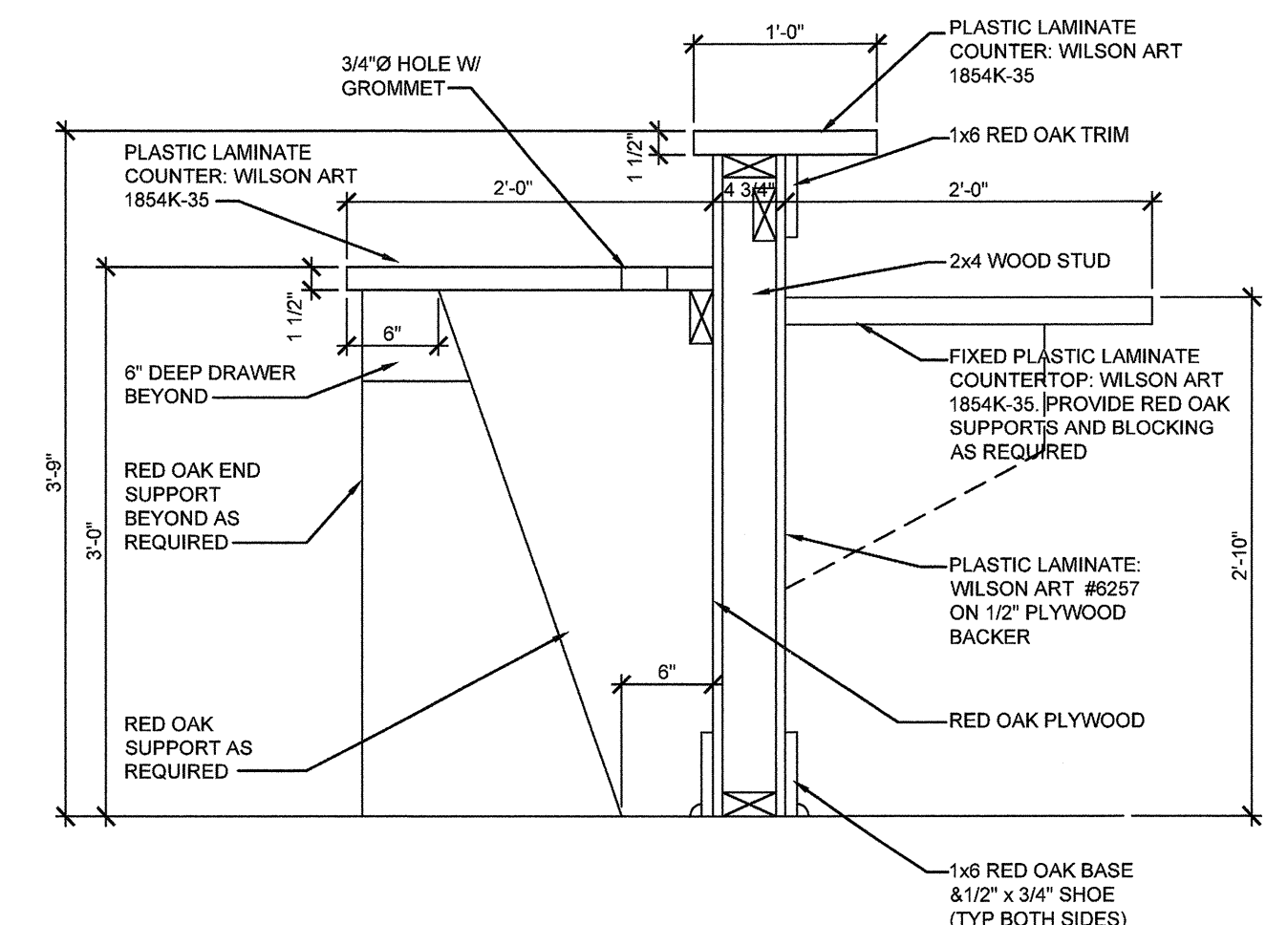


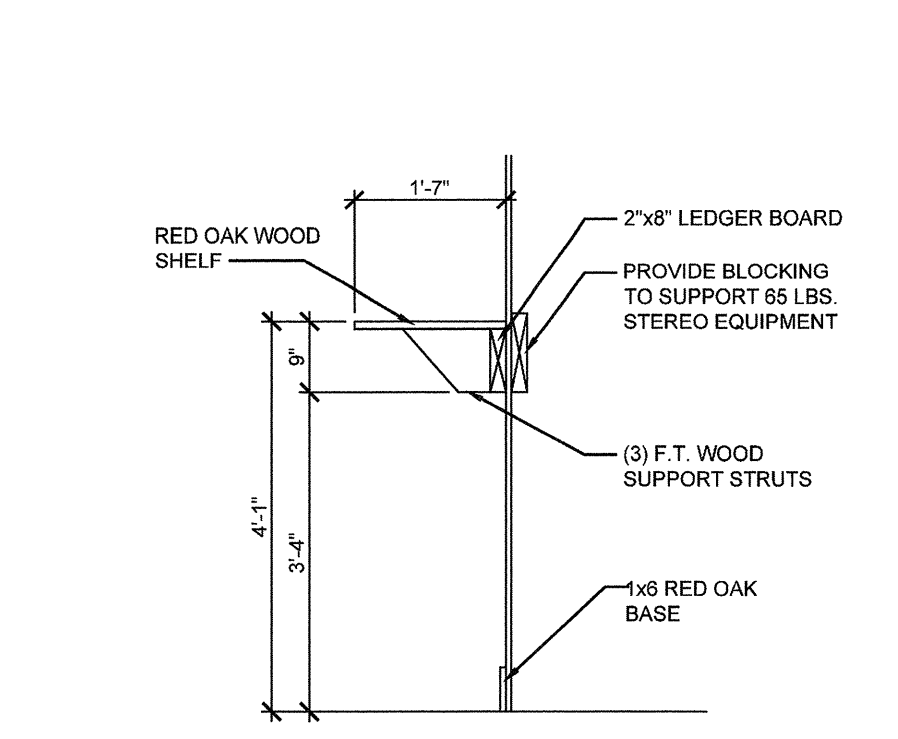
**1 FLOOR PLAN**  
A1 SCALE: 1/4" = 1'-0"



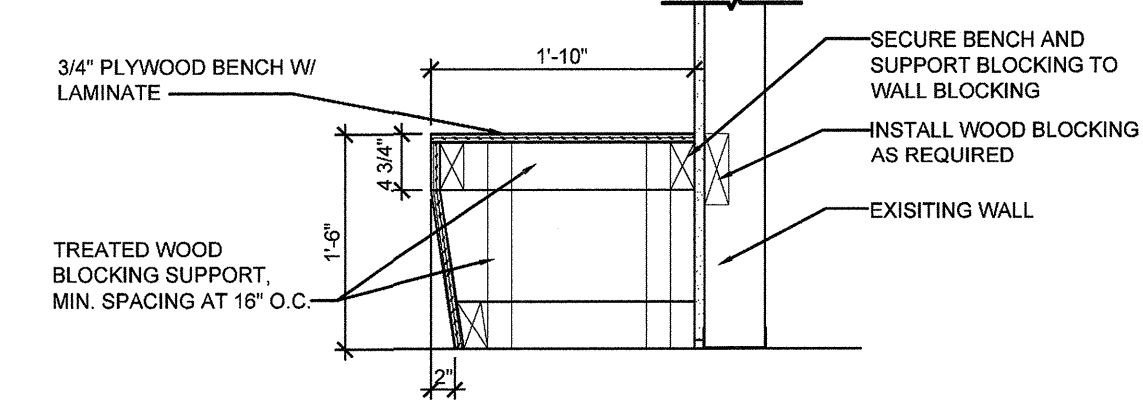
**2 NOT USED**  
A1 SCALE: 1"=1'-0"



**3 DESK (TYP)**  
A1 SCALE: 1"=1'-0"



**4 STEREO SHELF**  
A1 SCALE: 1/2"=1'-0"



**5 FITTING ROOM BENCH**  
A1 SCALE: 3/4"=1'-0"

**PURE BARRE SPECIFICATIONS**

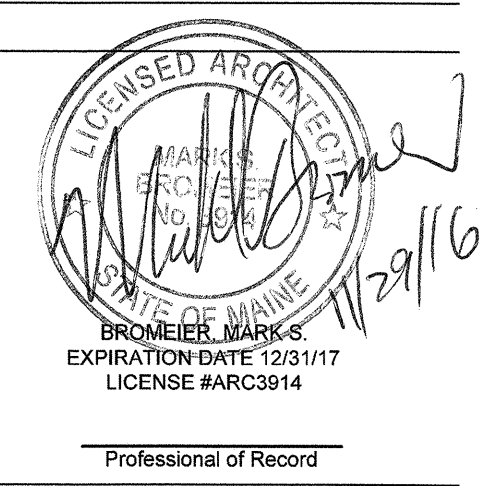
PURE BARRE SPECIFICATIONS		CONTRACTOR TO ASSUME RESPONSIBILITY FOR ALL ITEMS NOT SPECIFIED OTHERWISE	
1	1 3/4" DIA. OAK BALLET BARRE & BRACKETS (CONTRACTOR PROVIDED / CONTRACTOR INSTALLED). MANUFACTURER: VITA VIBE CONTACT: LARRY EASTERDAY getit@vitalvibe.com 864-288-8934 BALLET BARS ARE NOT TO BE FINISHED. BARS ARE SHIPPED SANDED AND COATED WITH LINSEED OIL. BARRES AND BRACKETS ARE SHIPPED IN (1) DIFFERENT ORDER VIA UPS AND SHIPPED W/ IN 2 DAYS OF ORDER BEING PLACED.	4	MILLWORK (CONTRACTOR PROVIDED / CONTRACTOR INSTALLED). ALL DOOR CASINGS AS INDICATED IN DRAWINGS, SHELVING, GALV PIPE & OAK DISPLAY SHELVING, CHAIR RAIL AND BASE BOARD TO BE #1 RED OAK SANDED SMOOTH AND SEALED. OAK SHOE MOLDING TO BE USED AT HARD SURFACES. SHELVING, STORAGE AND SEATING CAN BE FABRICATED FROM 3/4" OAK PLYWOOD WITH SOLID OAK EDGING.
2	STEREO SYSTEM / SPEAKERS (CONTRACTOR PROVIDED / CONTRACTOR INSTALLED). MANUFACTURER: PRECISION MEDIA SOLUTIONS CONTACT: BRIAN RICHARDS brianrichards@precisionnav.net 702-275-0441 SPEAKERS SUSPENDED FROM CEILING OR MOUNTED ON NON-DEMISING WALLS AT 9'-10" A.F.F. CONTRACTOR TO PROVIDE RED OAK STEREO PLATFORM OF SUFFICIENT SIZE & STRENGTH TO SUPPORT EQUIPMENT (25"W X 19"D X 15"H ±65 LBS)	5	DRINK COOLER (OWNER PROVIDED / CONTRACTOR INSTALLED). COORDINATE POWER AND LOCATION WITH OWNER.
3	SIGNAGE PACKAGE (OWNER PROVIDED / OWNER INSTALLED). INTERIOR CIRCLE P 4'X4' CENTERED BEHIND RECEPTION AREA @ 95" AFF STUDIO PHOTOS 24"X36" (5) EACH @ 95" AFF EXTERIOR WINDOW VINYL DOORS/WINDOWS @ 36" AFF PURE POTTY RESTROOM SIGN 12"X12" @ 68" AFF	6	MEDIA WALL @ RECEPTION (OWNER PROVIDED / OWNER INSTALLED).
		7	WORKOUT MIRRORS (CONTRACTOR PROVIDED / CONTRACTOR INSTALLED).
		8	CURTAIN & ROD (OWNER PROVIDED / CONTRACTOR INSTALLED).
		9	IKEA ITEMS & CLIENT SEATING (OWNER PROVIDED / CONTRACTOR INSTALLED).
		10	CARPET / GLUE / SEAM SEALER/TRANSITION STRIP (CONTRACTOR PROVIDED) / CONTRACTOR INSTALLED. MANUFACTURER: SHAW CONTACT: LOCAL SUPPLIER
		11	LED TRACK LIGHTS AND MATERIALS (CONTRACTOR PROVIDED) / CONTRACTOR INSTALLED. INCLUDING ALL EMERGENCY AND EXIT LIGHTS, CEILING MOUNTED BATHROOM AND FITTING ROOM LIGHTS AND POSSINI PENDANT LIGHT OVER RECEPTION DESK MANUFACTURER: E. SAM JONES CONTACT: NAN WHEATLEY nanwheatley@esamjones.com 800-289-2148

LEGEND	
	NEW DOOR, FRAME & HARDWARE - SEE DOOR SCHEDULE
	EXISTING DOOR TO REMAIN - SEE DOOR SCHEDULE
FLOOR PLAN NOTES:	
1	LEASE LINE
2	TRANSITION STRIP.
3	EXISTING ALUMINUM / GLASS STOREFRONT TO REMAIN.
4	ELKAY LZWS-EDFP217K WALL MOUNTED BARRIER FREE DRINKING FOUNTAIN WITH EZH2O BOTTLE FILLING STATION
5	LOCATION DEDICATED FOR EXISTING ELECTRICAL PANEL, ALARM PANEL AND PHONE EQUIPMENT.
6	EXISTING BUILDING COLUMN. WRAP GYP. BD. AS TIGHT AS POSSIBLE. EXTEND GYP. BD. AND FRAMING TO 6" ABOVE FINISHED CEILING OR TO DECK ABOVE IF EXPOSED TO STRUCTURE ABOVE.
7	EXISTING BUILDING COLUMN. PREPARE TO RECEIVE NEW FINISHES. PAINT TO MATCH ADJACENT WALLS.
8	EXISTING SPRINKLER LINE AND GAS PIPE TO REMAIN. PROTECT DURING CONSTRUCTION.
9	EXISTING RAMP TO REMAIN.
PARTITION LEGEND	
P1	REMOVE GYPSUM BOARD FROM EXISTING METAL STUD WALL. INSTALL R-19 BATT INSULATION AS REQUIRED. PROVIDE NEW 5/8" GYP. BD. (5/8" M.R. GYP. BD. AT WET WALL) PREPARE WALL AS REQUIRED TO RECEIVE NEW FINISHES AS CALLED OUT ON FINISH SCHEDULE. SEE SHEET A3.1.
P2	3 5/8" METAL STUDS @ 16" O.C. W/ (1) LAYER 5/8" M.R. GYPSUM BOARD TO DECK ABOVE. VERIFY WITH PLUMBING ACTUAL CLEAR WIDTH DIMENSION FOR LOCATION OF PLUMBING FOR WATER COOLER.
P3	3 5/8" METAL STUDS @ 16" O.C. W/ (1) LAYER 5/8" TYPE 'X' GYPSUM BOARD EACH SIDE TO STRUCTURE ABOVE/ FINISHED CEILING WITH 3 1/2" SOUND BATT INSULATION. PROVIDE 2 X 8 WOOD BLOCKING @ WALLS WITH BARRE (IN LINE WITH OUTSIDE FACE OF METAL FURRING CHANNEL) AS REQUIRED FOR ATTACHMENT OF BARRE @ 36" A.F.F.. REFER TO SHEET A4 FOR BARRE INSTALLATION.
P4	REMOVE GYPSUM BOARD FROM EXISTING METAL STUD WALL. INSTALL RSIC-1 CLIPS AT 48" O.C. W/ 3 5/8" METAL STUDS @ 16" O.C. (2) LAYERS 5/8" TYPE 'X' GYPSUM BOARD. INSTALL 2X8 P.T. WOOD BLOCKING. (AT OUTSIDE FACE OF METAL FURRING CHANNEL) AS REQUIRED FOR ATTACHMENT OF BARRE @ 36" A.F.F.. REFER TO SHEET A4 FOR BARRE INSTALLATION. PROVIDE R-19 BATT INSULATION AS REQUIRED.
P5	3 5/8" METAL STUDS @ 16" O.C. WITH 5/8" GYP. BD. TO DECK ABOVE. PROVIDE M.R. GYP. AT WET WALLS. (6" METAL STUD FOR PLUMBING WALL)
P6	3 5/8" METAL STUDS @ 16" O.C. WITH 5/8" GYP. BD. TO 8'-0" ABOVE FINISHED FLOOR.



ISSUED DATES	
OWNER	11-23-16
BID/PERMIT	11-28-16
REVISIONS	

**pure barre**  
PURE BARRE  
492 CONGRESS STREET  
PORTLAND, ME 04101



DRAWN BY  
BKN  
CHECKED BY  
CMS  
PROJECT NUMBER  
316157  
SHEET NAME  
FLOOR PLAN  
SHEET NUMBER  
**A1**