

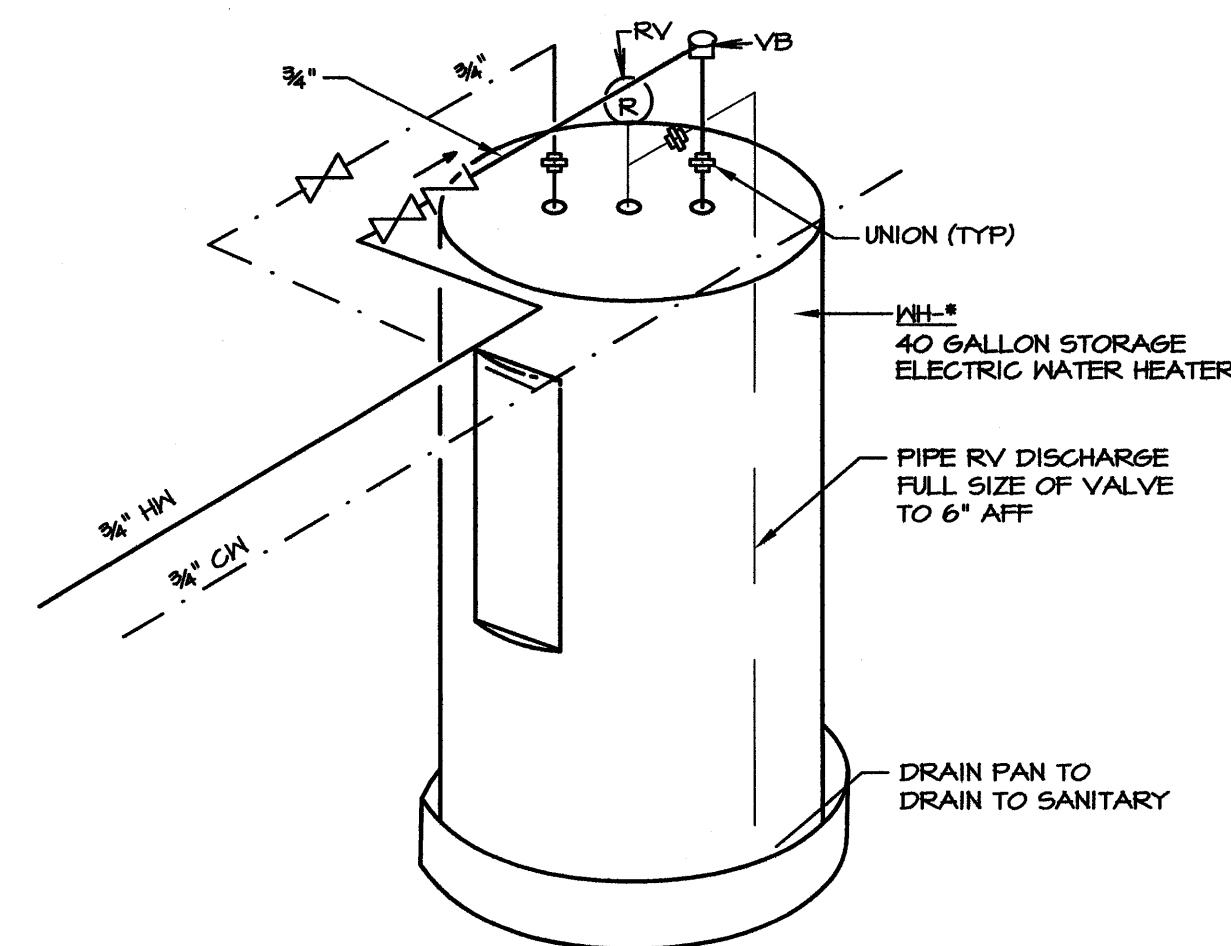
ELECTRIC WATER HEATER SCHEDULE

TAG	SERVICE TO	GAL. CAP.	ELEMENT WATTAGE 240 V.A.C.		1ST HR RATING	RECOVERY		REMARKS
			UPPER	LOWER		40°F RISE	60°F RISE	
WH-B	BASEMENT RESTROOM	6	1650	-	N/A	8 GAL.	11 GAL.	STATE SELECT P6 6 IONS K WITH HEAT TRAP NIPPLES OPTION
WH-104	RESIDENTIAL SPACE 104	40	4500	4500	52 GAL.	20 GAL.	31 GAL.	STATE SELECT P6 40 2ORT 2 WITH HEAT TRAP NIPPLES OPTION
WH-105	RESIDENTIAL SPACE 104	40	4500	4500	52 GAL.	20 GAL.	31 GAL.	STATE SELECT P6 40 2ORT 2 WITH HEAT TRAP NIPPLES OPTION
WH-201	RESIDENTIAL SPACE 201	40	4500	4500	52 GAL.	20 GAL.	31 GAL.	STATE SELECT P6 40 2ORT 2 WITH HEAT TRAP NIPPLES OPTION
WH-202	RESIDENTIAL SPACE 202	40	4500	4500	52 GAL.	20 GAL.	31 GAL.	STATE SELECT P6 40 2ORT 2 WITH HEAT TRAP NIPPLES OPTION
WH-203	RESIDENTIAL SPACE 203	40	4500	4500	52 GAL.	20 GAL.	31 GAL.	STATE SELECT P6 40 2ORT 2 WITH HEAT TRAP NIPPLES OPTION
WH-204	RESIDENTIAL SPACE 204	40	4500	4500	52 GAL.	20 GAL.	31 GAL.	STATE SELECT P6 40 2ORT 2 WITH HEAT TRAP NIPPLES OPTION
WH-205	RESIDENTIAL SPACE 205	40	4500	4500	52 GAL.	20 GAL.	31 GAL.	STATE SELECT P6 40 2ORT 2 WITH HEAT TRAP NIPPLES OPTION
WH-206	RESIDENTIAL SPACE 206	40	4500	4500	52 GAL.	20 GAL.	31 GAL.	STATE SELECT P6 40 2ORT 2 WITH HEAT TRAP NIPPLES OPTION
WH-207	RESIDENTIAL SPACE 207	40	4500	4500	52 GAL.	20 GAL.	31 GAL.	STATE SELECT P6 40 2ORT 2 WITH HEAT TRAP NIPPLES OPTION
WH-208	RESIDENTIAL SPACE 208	40	4500	4500	52 GAL.	20 GAL.	31 GAL.	STATE SELECT P6 40 2ORT 2 WITH HEAT TRAP NIPPLES OPTION
WH-301	RESIDENTIAL SPACE 301	40	4500	4500	52 GAL.	20 GAL.	31 GAL.	STATE SELECT P6 40 2ORT 2 WITH HEAT TRAP NIPPLES OPTION
WH-302	RESIDENTIAL SPACE 302	40	4500	4500	52 GAL.	20 GAL.	31 GAL.	STATE SELECT P6 40 2ORT 2 WITH HEAT TRAP NIPPLES OPTION
WH-303	RESIDENTIAL SPACE 303	40	4500	4500	52 GAL.	20 GAL.	31 GAL.	STATE SELECT P6 40 2ORT 2 WITH HEAT TRAP NIPPLES OPTION
WH-304	RESIDENTIAL SPACE 304	40	4500	4500	52 GAL.	20 GAL.	31 GAL.	STATE SELECT P6 40 2ORT 2 WITH HEAT TRAP NIPPLES OPTION
WH-305	RESIDENTIAL SPACE 305	40	4500	4500	52 GAL.	20 GAL.	31 GAL.	STATE SELECT P6 40 2ORT 2 WITH HEAT TRAP NIPPLES OPTION
WH-306	RESIDENTIAL SPACE 306	40	4500	4500	52 GAL.	20 GAL.	31 GAL.	STATE SELECT P6 40 2ORT 2 WITH HEAT TRAP NIPPLES OPTION
WH-307	RESIDENTIAL SPACE 308	40	4500	4500	52 GAL.	20 GAL.	31 GAL.	STATE SELECT P6 40 2ORT 2 WITH HEAT TRAP NIPPLES OPTION
WH-401	RESIDENTIAL SPACE 401	40	4500	4500	52 GAL.	20 GAL.	31 GAL.	STATE SELECT P6 40 2ORT 2 WITH HEAT TRAP NIPPLES OPTION
WH-402	RESIDENTIAL SPACE 402	40	4500	4500	52 GAL.	20 GAL.	31 GAL.	STATE SELECT P6 40 2ORT 2 WITH HEAT TRAP NIPPLES OPTION
WH-403	RESIDENTIAL SPACE 403	40	4500	4500	52 GAL.	20 GAL.	31 GAL.	STATE SELECT P6 40 2ORT 2 WITH HEAT TRAP NIPPLES OPTION
WH-404	RESIDENTIAL SPACE 404	40	4500	4500	52 GAL.	20 GAL.	31 GAL.	STATE SELECT P6 40 2ORT 2 WITH HEAT TRAP NIPPLES OPTION
WH-405	RESIDENTIAL SPACE 405	40	4500	4500	52 GAL.	20 GAL.	31 GAL.	STATE SELECT P6 40 2ORT 2 WITH HEAT TRAP NIPPLES OPTION
WH-406	RESIDENTIAL SPACE 406	40	4500	4500	52 GAL.	20 GAL.	31 GAL.	STATE SELECT P6 40 2ORT 2 WITH HEAT TRAP NIPPLES OPTION

FIXTURE SCHEDULE

TAG	FIXTURE	CW	HW	WASTE	VENT	REMARKS
P-1	TANK TYPE WC	1/2"	—	4"	3"	-
P-2	WALL HUNG LAVATORY	1/2"	1/2"	1 1/2"	1 1/2"	-
P-2A	WALL HUNG LAVATORY	1/2"	1/2"	1 1/2"	1 1/2"	-
P-2B	COUNTERTOP LAVATORY	1/2"	1/2"	1 1/2"	1 1/2"	-
P-3	60" ONE PIECE TUB/SHOWER	1/2"	1/2"	2"	1 1/2"	-
P-4	33"x21" SS DOUBLE BOWL SINK	1/2"	1/2"	1 1/2"	1 1/2"	-

2" MINIMUM ON ALL SANITARY PIPING UNDER SLAB.




DOMESTIC WATER PIPING TO STORAGE WATER HEATER

NO SCALE

This document is owned by and the information contained herein is the property of Titan Mechanical, Inc. By project, the user agrees not to use the information contained herein for any other project without the prior written consent of Titan Mechanical, Inc. and agree to return the document forthwith upon request.

DATE	REVISIONS


Titan Mechanical, Inc.
 Design Build Engineering - Mechanical Contracting
 P.O. Box 3927 / 41 Evergreen Drive
 Portland, Maine 04104
 Ph. (207) 878-5223 Fax. (207) 878-5235

KIMBALL BLOCK LLC
 CLIENT
490 CONGRESS ST. MECH. SYSTEMS
 PROJECT
PLUMBING DETAILS & SCHEDULES
 DRAWING TITLE

DATE: 05/17/05
 SCALE: 1/8" = 1'-0"
 DRAWN BY: RNC
 CHECKED BY: JFN
 JOB NUMBER: XXXX
 CAD FILE: 490 CONGRESS.MXD
 SHEET NUMBER

P2.1
 SHEET 21 OF 21