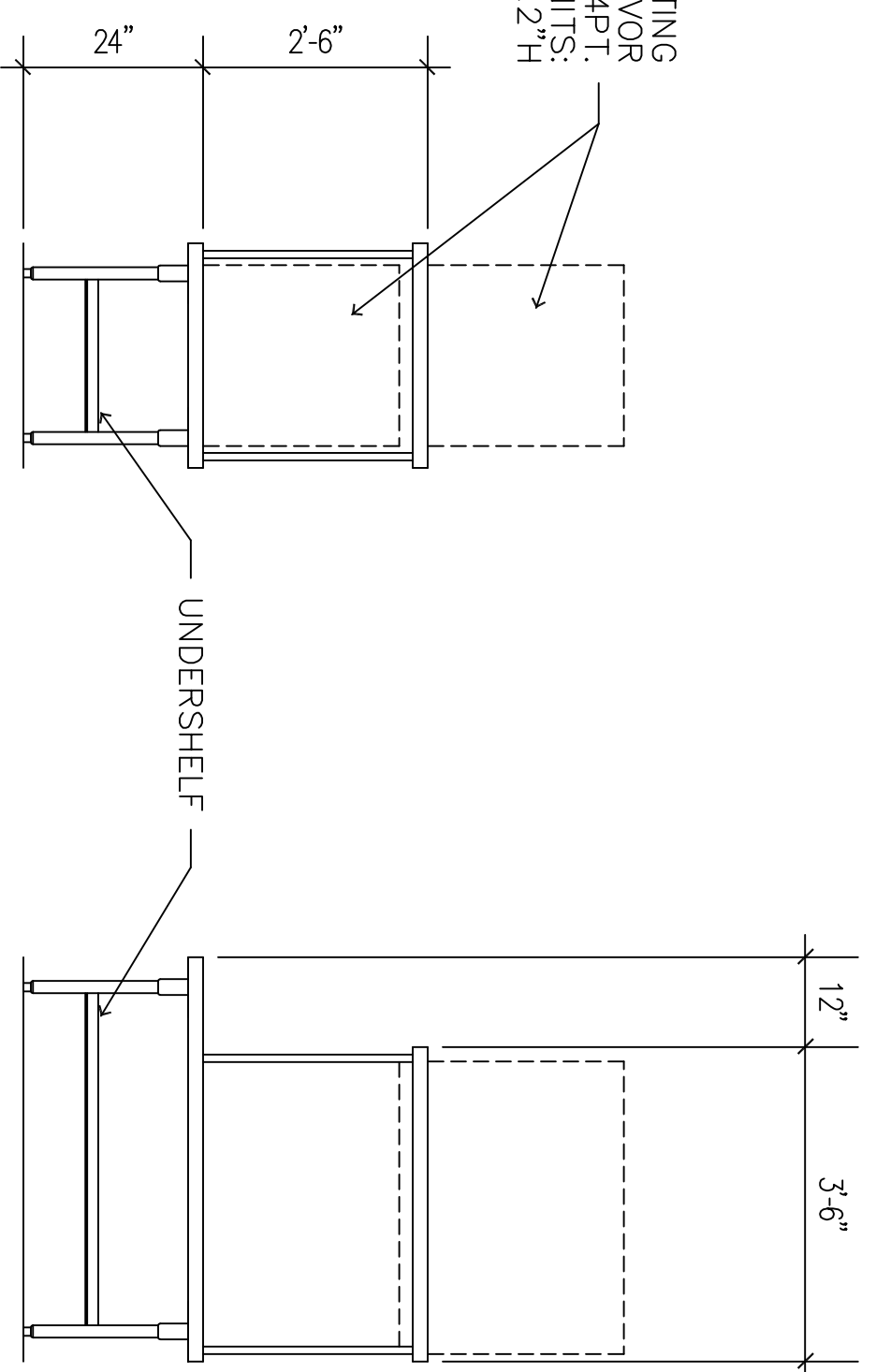
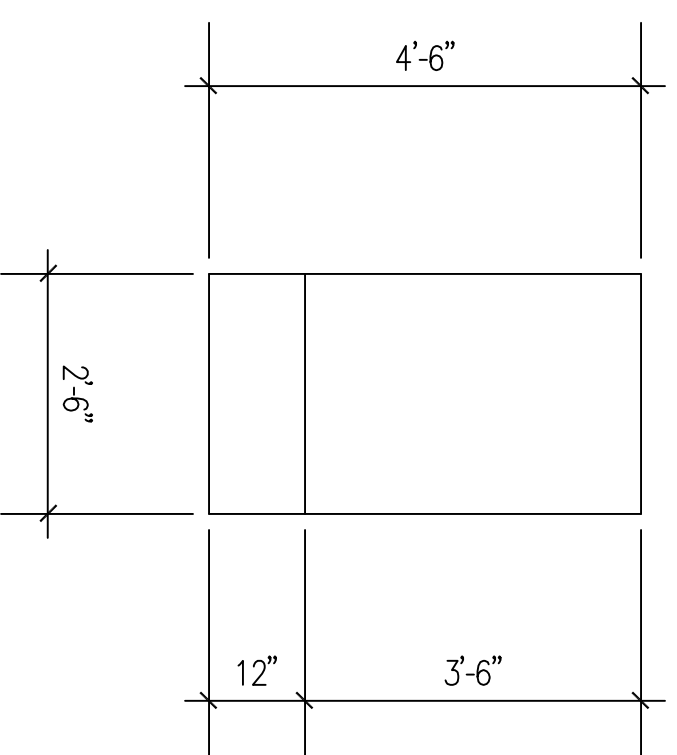


ALLOW FOR THE MOUNTING
OF TWO HATCO FLAV-R-SAVOR
MODEL # FS2HAC-4PT.
OVERALL DIMENSIONS OF UNITS:
24.13"W X 39.06"D X 26.2"H



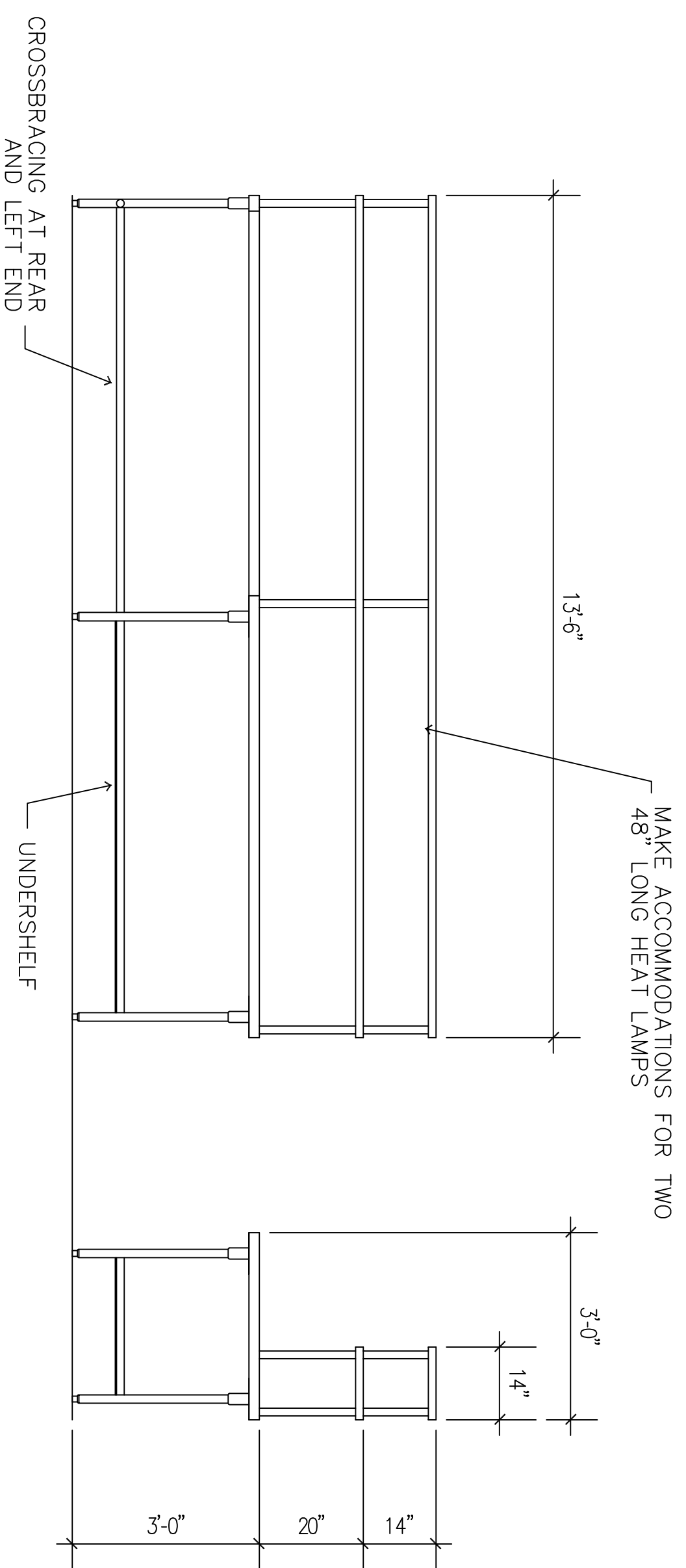
ELEVATION

SECTIONS



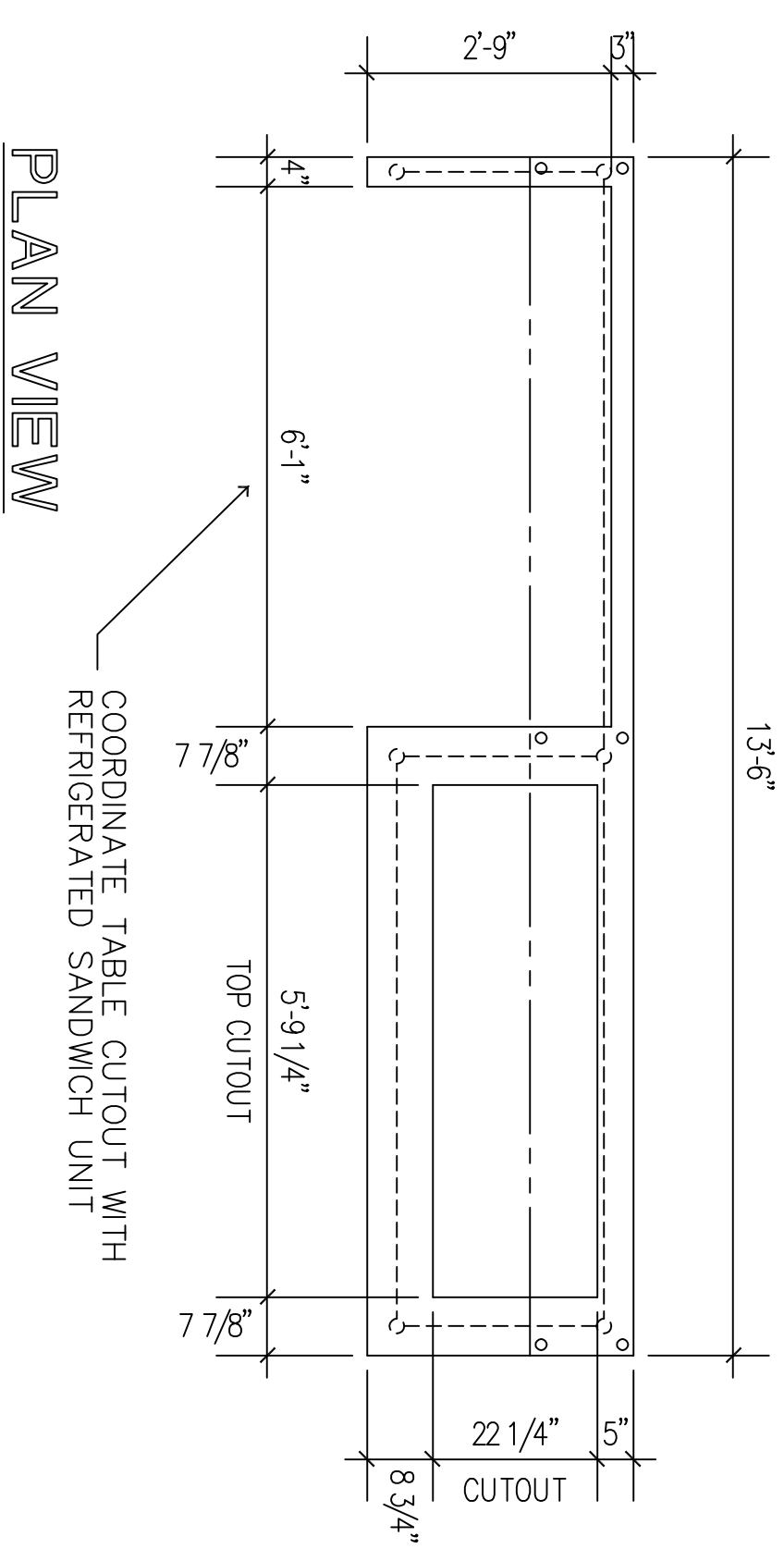
PLAN VIEW

EQUIPMENT STAND (ITEM # 21)
SCALE - 1/2" = 1' - 0"



ELEVATION

SECTIONS



PLAN VIEW

CHEF'S TABLE DETAILS (ITEM # 17)
SCALE - 1/2" = 1' - 0"

ISSUE FOR PERMIT

FS-3

Drawing: Foodservice Equipment Details and Elevations	
Scale: 1/2"=1'-0"	Revisions:
Date: June 11, 2009	

Project: Binga's Wingas "The Stadium" Portland, Maine

Owner: Binga's Wingas

Foodservice Consultant: TJM Consulting, Inc. 273 Main Street, Suite 5 Yarmouth, Maine 04096 (207) 847-3337 tjmconsulting@maine.rr.com
--