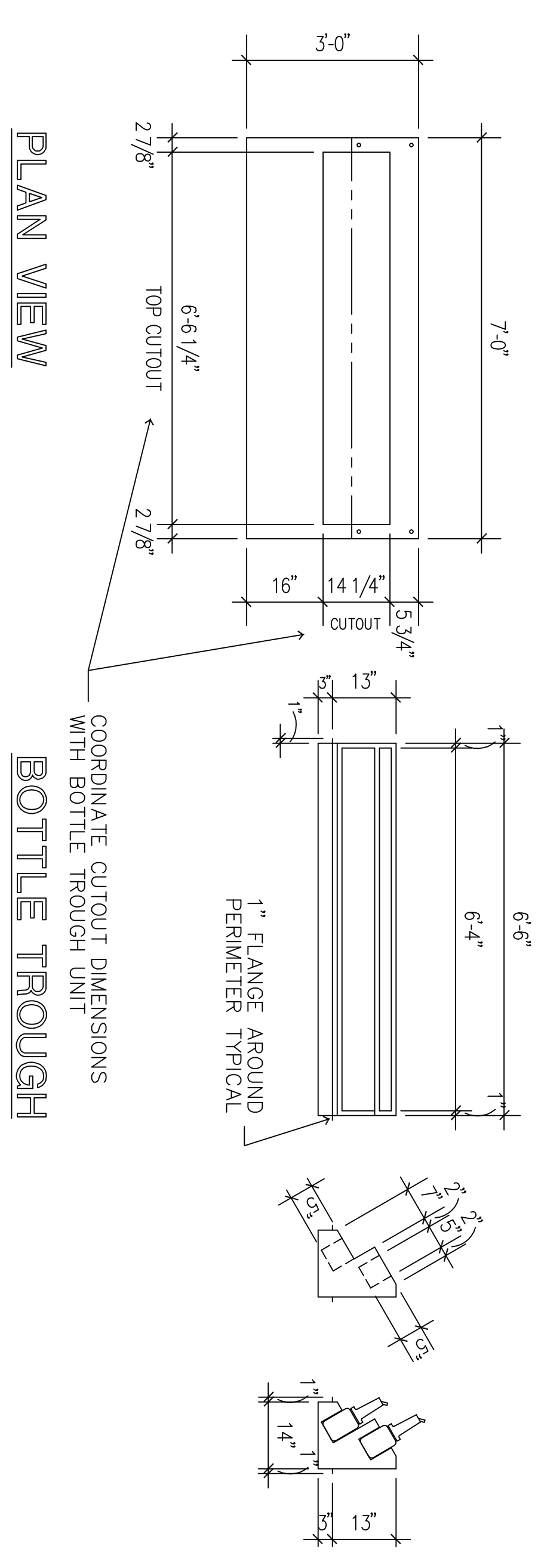
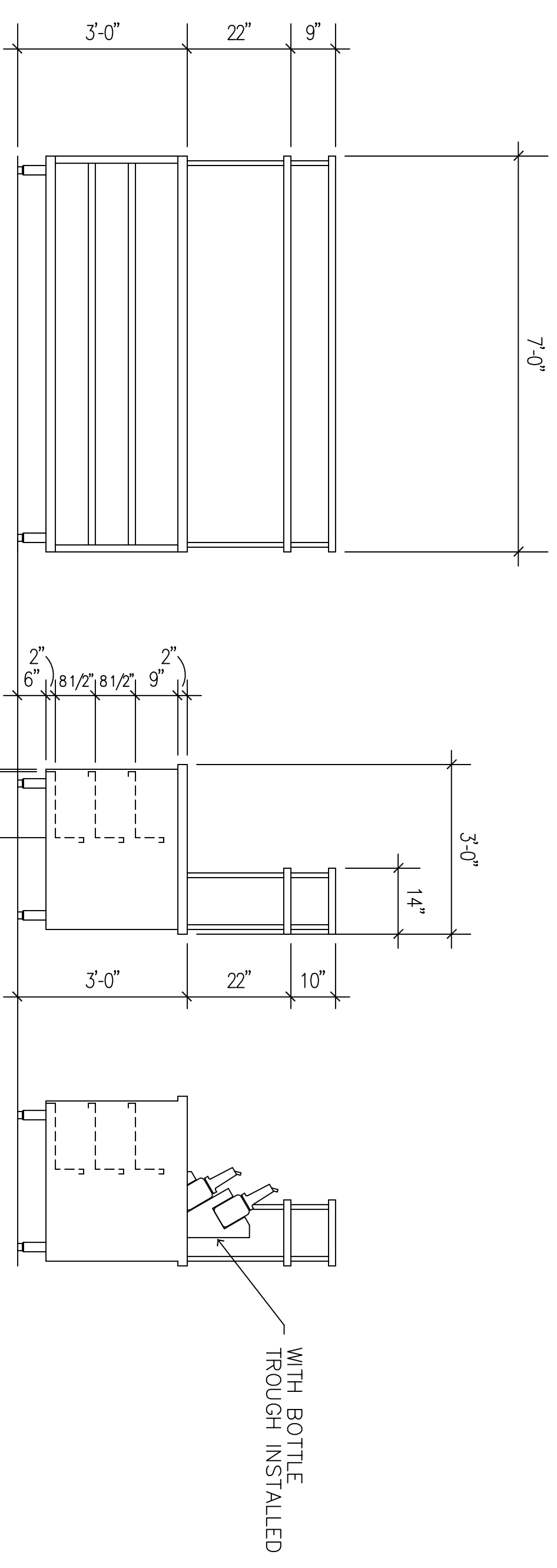


MK	QTY	DESCRIPTION	ELECTRICAL				WATER		WASTE		GAS		STEAM		REMARKS
			FLAMPS	KW	HP	VOLTS	COLD	HOT	DIRECT	INDIRECT	SIZE	MBTUH	LBS/HR	PSIG	
1		1 DISHWASHER SOILED													
2		1 DISHWASHER DOOR-TYPE	427	90	1	208	3 X	1/2"	1/2"	2"					
3		1 CONDENSATE FOOD						3/4"	1-1/2"						
4		1 DISHWASHER CLEAN													
5		1 SINK 3-COMPARTMENT						1/2"	1/2"	3 @ 2"					
6		1 HAND SINK						1/2"	1/2"	1-1/2"					
7		1 BEVERAGE COUNTER	150			120	1 X	1/2"	1/2"	2"					
8		1 COFFEE BREWER AIR POT	200	20		120	1 X	3/8"							EXISTING EQUIPMENT
9		1 REFRIGERATOR MERCHANDISER	102			120	1 X	1/2"	1/2"	2"					EXISTING EQUIPMENT
10		1 REFRIGERATOR 1-SECTION	104			120	1 X								
11		1 ICE MACHINE WITH BIN	175			208	1 X	3/8"		2 @ 3/4"					EXISTING EQUIPMENT
12		1 SPARE NUMBER -													
13		1 SPARE NUMBER -													
14		1 DISH STORAGE CABINET													
15		1 FOOD WARMER	83	10		120	1 X								
16		2 SHELVING UNIT													
17		1 CHEF'S TABLE													
18		1 REFRIGERATED SANDWICH UNIT	105			120	1 X	1/2"	1/2"	1-1/2"					
19		1 HOT FOOD UNIT DROP-IN	177	43		240	1 X			3/4"					
20		1 PUMP STATION													
21		1 EQUIPMENT STAND													
22		2 HEATED AIR CURTAIN CABINET	141	34		120/208	1 X								
23		1 HEAT LAMP	92	11		120	1 X								
24		1 SPARE NUMBER -													
25		1 WORK TABLE													
26		2 HEATED/HOLDING CABINET	138	17		120	1 X			3/4"	105				
27		2 RANGE MEDIUM DUTY GAS													
28		1 FREEZER 1-SECTION	104			120	1 X			1"	330				
29		1 FRYER BATTERY W/FILTER SYS	70			120	1 X			1"	140				
30		2 FRYER WITH FILTER SYS	87			120	1 X			1/2"	140				
31		1 REFRIGERATED WORKTOP W/DRAWERS	97			120	1 X								
32		2 WALL SHELF													
33		1 SPARE NUMBER -													
34		1 WALK-IN COOLER (FOOD)	40			120	1 X								
35		1 EVAPORATOR COIL COOLER	25			208	1 X			3/4"					
36		1 COMPRESSOR COOLER	73			208	1 X								
37		4 SHELVING UNIT													
38		2 SHEET PAN RACK													
39		1 WALK-IN COOLER (BEER)	40			120	1 X								
40		1 EVAPORATOR COIL COOLER	11			208	1 X			3/4"					
41		1 COMPRESSOR COOLER	73			208	1 X								
42		4 SHELVING UNIT													
43		1 SPARE NUMBER -													
44		1 SPARE NUMBER -													
45		1 SPARE NUMBER -													
46		1 SPARE NUMBER -													
47		1 SPARE NUMBER -													
48		1 SPARE NUMBER -													
49		1 SPARE NUMBER -													
50		1 WALK-IN COOLER (EGGS)	40			120	1 X								
51		1 EVAPORATOR COIL COOLER	33			208	1 X			3/4"					
52		1 COMPRESSOR COOLER	174			208	3 X								
53		8 KEG STACKER SHELVING	2												
54		1 WALK-IN COOLER (FOOD)	40			120	1 X								
55		1 EVAPORATOR COIL COOLER	112			208	1 X			3/4"					
56		1 COMPRESSOR COOLER	58			208	3 X								
57		7 SHELVING UNIT													
58		1 SPARE NUMBER -													
59		1 SMOKER	150			120	1 X			3/4"	65				
60		2 WORK TABLE WITH SINK								2"					
61		4 WALL SHELF													
62		2 SHEET PAN RACK													
63		1 HAND SINK													
64		1 REFRIGERATOR 2-SECTION	91			120	1 X	1/2"	1/2"	1-1/2"					
65		1 HEATED/HOLDING CABINET	138	17		120	1 X								
66		9 SHELVING UNIT													
67		2 DISHWASHER UNDERCOUNTER	34	60	3/4	208	1 X			3/4"	1-1/2"				
68		3 BACK BAR COOLER	75		1/5	120	1 X								
69		1 REFRIGERATOR 1-SECTION	78		1/5	120	1 X								
70		3 UNDERBAR STORAGE CABINET													
71		3 UNDERBAR SINK 1-COMP								1"					
72		3 UNDERBAR ICE BIN W/COLD PLATE								1/2"	1"				
73		3 UNDERBAR SODA QUIN HOLDER													
74		3 UNDERBAR DOUBLE													
75		2 UNDERBAR HAND SINK													
76		1 HORIZONTAL BOTTLE COOLER	81		1/5	120	1 X	1/2"	1/2"	1-1/2"					
77		1 SPARE NUMBER -													
78		1 SPARE NUMBER -													
79		1 SPARE NUMBER -													
80		1 HEATED/HOLDING CABINET	138	17		120	1 X								
81		1 BACK BAR COOLER	70		1/5	120	1 X			1/2"					
82		1 ICE MAKER CUBER	190		3/4	120	1 X			3/8"					
83		1 ICE DISPENSER W/SODA DISPENSERS	19		1/8	120	1 X			1/2"	3/4"				
84		1 HEATED STONE SHELF	130	1.5		120	1 X								



SAUCE STATION DETAILS (ITEM # 20)
SCALE - 1/2" = 1' - 0"

ISSUE FOR PERMIT

Foodservice Consultant:
TJM Consulting, Inc.
273 Main Street, Suite 5
Yarmouth, Maine 04096
(207) 847-3337 tjmconsulting@maine.rr.com

Owner:
Binga's Wingas

Project:
Binga's Wingas
"The Stadium"
Portland, Maine

Drawing: **Foodservice Equipment Mechanical Schedule**
Scale: 1/4"=1'-0"
Date: June 11, 2009

SHEET:
FS-2