

STOREFRONT WINDOW NOTES:

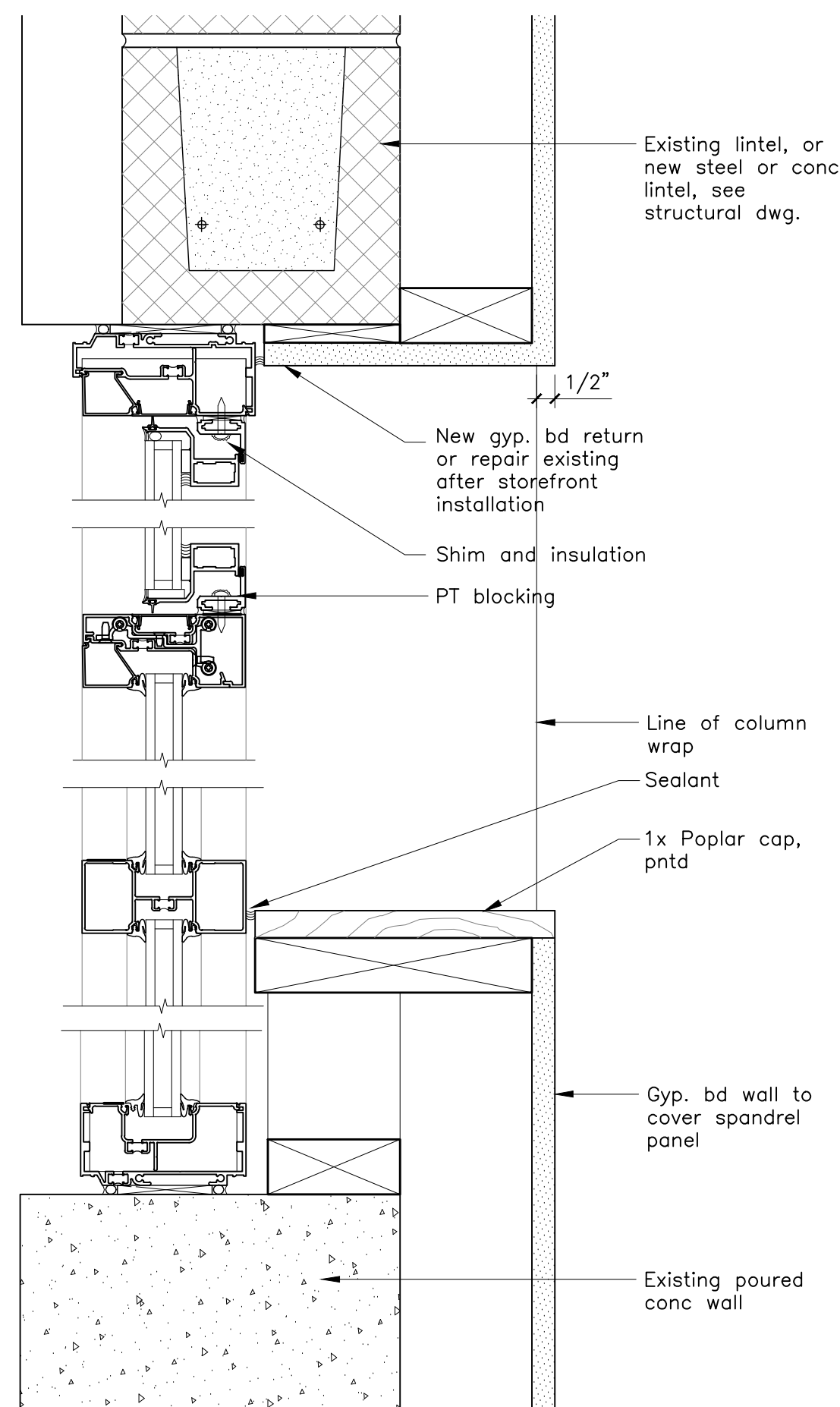
1. Wood blocking at windows and doors to be kiln dried (KD) lumber UNO.
2. Wood blocking in contact with concrete to be pressure treated.
3. Glazing to be double glazed, low E.
4. Turn sill flashing up under window sill, form end dams at each jamb and seal all seams, pitch flashing towards exterior.
5. Windows with a sill height less than 18" off and/or adjacent to doors shall have tempered glazing.
6. Verify all existing dimensions in field.

Finish Legend

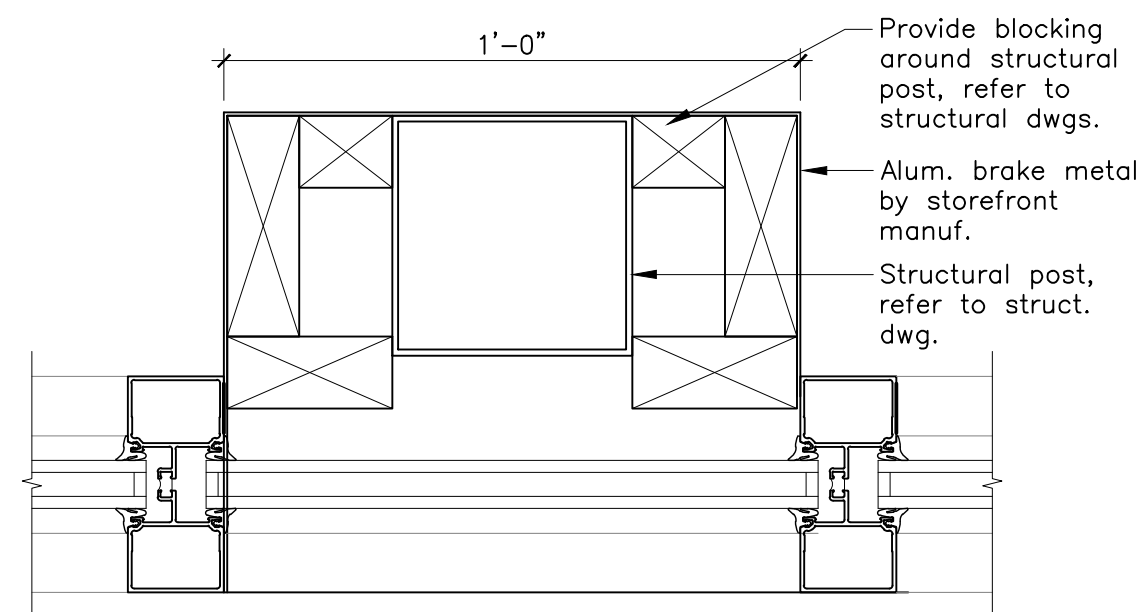
ACT	Acoustical Tile Ceiling
CT	Ceramic Tile
DAP	Densarmor Plus GWB
ETR	Existing to Remain
GWB	Gypsum Wall Board
Manuf	Manufacturer
PC	Polished Concrete
Pnt	Paint
Pre	Prefinished
PTM	Patch to Match
SC	Sealed Concrete
Wd	Wood

Room Finish Schedule

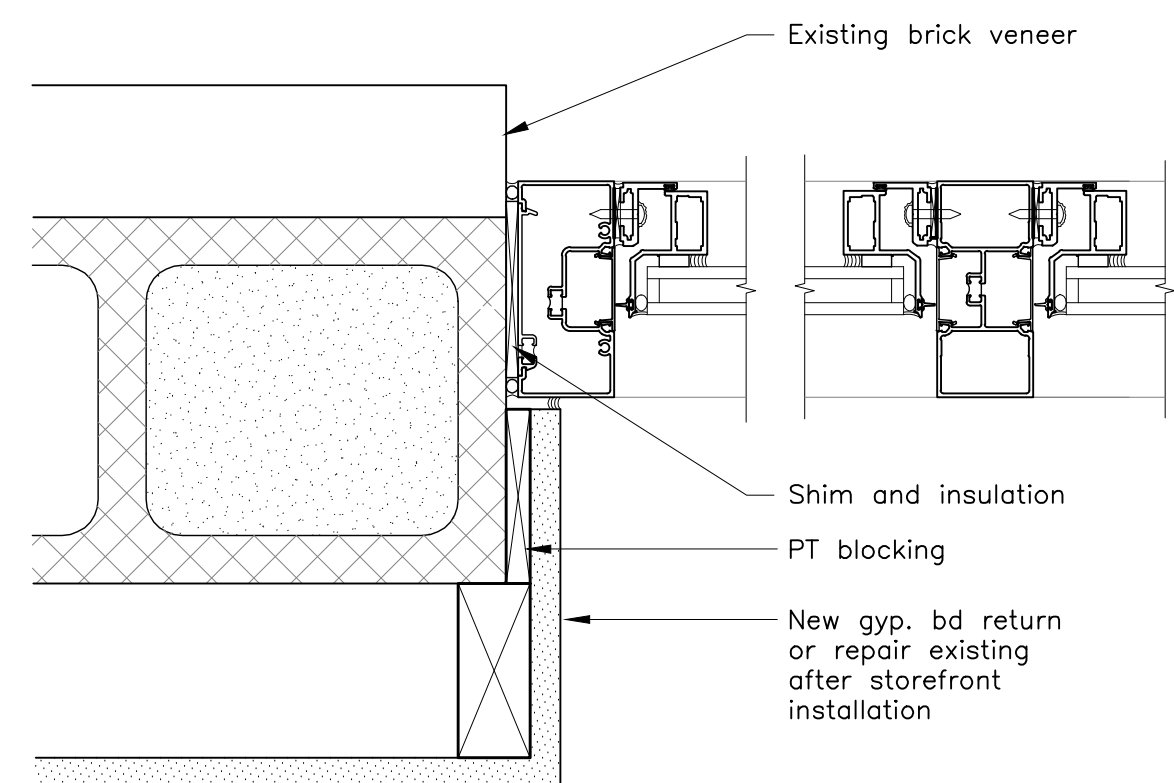
No.	Name	Ceiling		Floor		Wall Type			
		Height	Type	Type	Base	North	East	South	West
101	Main Entry	ETR	PTM GWB, Pnt	CT	CT	GWB, Pnt	-	GWB, Pnt	Perforated metal
102	Lift	-	GWB, Pnt	Manuf	Manuf	GWB, Pnt	GWB, Pnt	GWB, Pnt	GWB, Pnt
103	Takeout Order	ETR	PTM GWB, Pnt	CT	CT	Perforated metal	Counter	-	Perforated metal
104	Takeout Service	ETR	PTM GWB, Pnt	CT	CT	GWB, Pnt	PTM GWB, Pnt	GWB, Pnt	Counter
105	Waiting	ETR	PTM GWB, Pnt	CT	CT	-	GWB, Pnt	PTM GWB, Pnt	Perforated metal
106	Waiting	12'-0"	ACT, Pntd black	CT	CT	-	Perforated metal	PTM GWB, Pnt	-
107	Seating Area	ETR	ETR	ETR	ETR	Existing Bar	-	PTM GWB, Pnt	GWB, Pnt
108	Platform Seating	ETR	ETR	Wd	Wd	Perforated metal rail	Perforated metal rail	PTM GWB, Pnt	GWB, Pnt
109	Main Bar	ETR	ETR	ETR	ETR	Existing millwork	Existing bar	Existing bar	Existing bar
110	Kitchen	Match Exist.	ACT	CT	CT	FRP	FRP	FRP	FRP
111	Seating Area	10'-0"	ACT	ETR	ETR	PTM GWB, Pnt	PTM GWB, Pnt	GWB, Pnt	-
112	Aux Bar	ETR	ETR	ETR	ETR	PTM GWB, Pnt	PTM GWB, Pnt	-	Existing bar
113	Stair No. 2	ETR	PTM GWB, Pnt	Rubber	Rubber	GWB, Pnt	GWB, Pnt	GWB, Pnt	GWB, Pnt
114	Mens Toilet	ETR	ETR	Pnt	Pnt	Pnt	Pnt	Pnt	Pnt
115	Womens Toilet	ETR	ETR	ETR	ETR	Pnt	Pnt	Pnt	Pnt
116	Game Room	8'-0"	PTM GWB, Pnt	ETR	ETR	PTM GWB, Pnt	GWB, Pnt	PTM GWB, Pnt	PTM GWB, Pnt
117	Closet	8'-0"	ETR	ETR	ETR	GWB, Pnt	GWB, Pnt	Pnt	Pnt
01	Foyer	10'-0"	Exposed, pnt structure	PC	Rubber	DAP, Pnt	-	DAP, Pnt	DAP, Pnt
02	Mech	-	Exposed, pnt structure	SC	Rubber	DAP, Pnt	ETR, Conc	DAP, Pnt	DAP, Pnt
03	Not used	-	-	-	-	-	-	-	-
04	Corridor	-	Exposed, pnt structure	SC	Rubber	ETR Conc, Pnt	DAP, Pnt	DAP, Pnt	DAP, Pnt
05	Office	-	Exposed, pnt structur	PC	Rubber	ETR, Pnt	DAP, Pnt	DAP, Pnt	ETR, Pnt
06	Storage	-	Exposed, pnt structure	PC	Rubber	DAP, Pnt	DAP, Pnt	ETR, Pnt	ETR, Pnt
07	Dry Food Storage	10'-0"	ACT, washable	SC	Rubber	DAP, Pnt	DAP, Pnt	-	DAP, Pnt
08	Trash Room	-	Exposed	SC	ETR	ETR	ETR	ETR	ETR
09	Stair No. 2	-	Exposed, pnt structure	Rubber	Rubber	DAP, Pnt	DAP, Pnt	DAP, Pnt	DAP, Pnt
10	Corridor	-	Exposed, pnt structure	SC	Rubber	DAP, Pnt	ETR	DAP, Pnt	DAP, Pnt
11	Food Cooler	10'-0"	Refer to Manufacturer	-	-	-	-	-	-
12	Walk-in Cooler	-	Refer to Manufacturer	-	-	-	-	-	-
13	Smoker	10'-0"	DAP, Pnt (1 hour rating)	SC	Rubber	DAP, FRP	DAP, FRP	DAP, FRP	DAP, FRP
14	Corridor	-	Exposed, pnt structure	SC	Rubber	DAP, FRP	DAP, FRP	DAP, FRP	DAP, FRP
15	Banquet Prep	10'-0"	ACT, washable	SC	Rubber	DAP, FRP	DAP, FRP	DAP, FRP	DAP, FRP
16	Janitors Clo	10'-0"	ACT, washable	SC	Rubber	DAP, Pnt	DAP, Pnt	DAP, Pnt	DAP, Pnt
17	Staff T	8'-0"	ACT	SC	Fubber	DAP, FRP	DAP, FRP	DAP, FRP	DAP, FRP
18	Staff T	8'-0"	ACT	SC	Rubber	DAP, FRP	DAP, FRP	DAP, FRP	DAP, FRP
19	Not Used	-	-	-	-	-	-	-	-
20	Mech	-	Exposed	SC	Rubber	Pnt	DAP, Pnt	DAP, Pnt	PTM GWB, Pnt
21	Function Room	-	Exposed, pnt structure	PC	Rubber	PTM GWB, Pnt	DAP, Pnt	DAP, Pnt	DAP, Pnt
22	Womens Room	10'-0"	ACT	CT	CT	CT/DAP, Pnt	CT/DAP, Pnt	DAP, Pnt	CT/DAP, Pnt
23	Mens Room	10'-0"	ACT	CT	CT	CT/DAP, Pnt	CT/DAP, Pnt	DAP, Pnt	CT/DAP, Pnt
24	Bar	-	Exposed, pnt structure	PC	Rubber	DAP, Pnt	FRP	FRP	DAP, Pnt
25	Game Room	-	Exposed, pnt structure	PC	Rubber	DAP, Pnt	DAP, Pnt	DAP, Pnt	DAP, Pnt



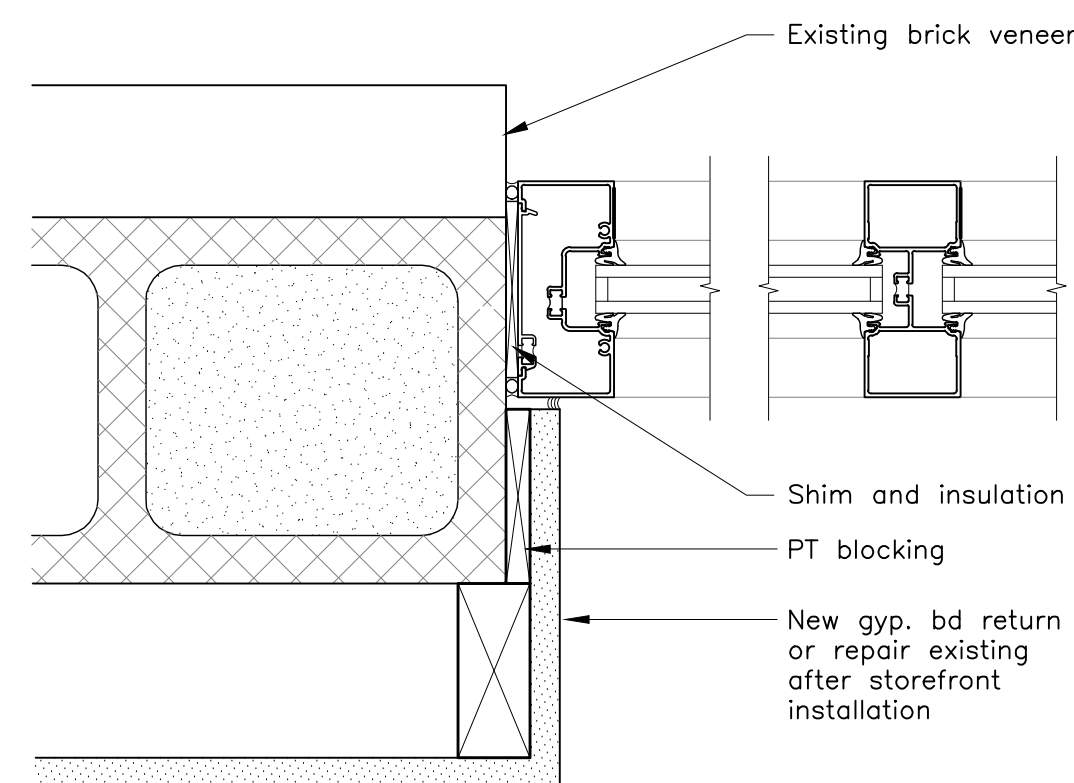
S7 Storefront Head/Sill Detail
Scale: 3" = 1'-0"



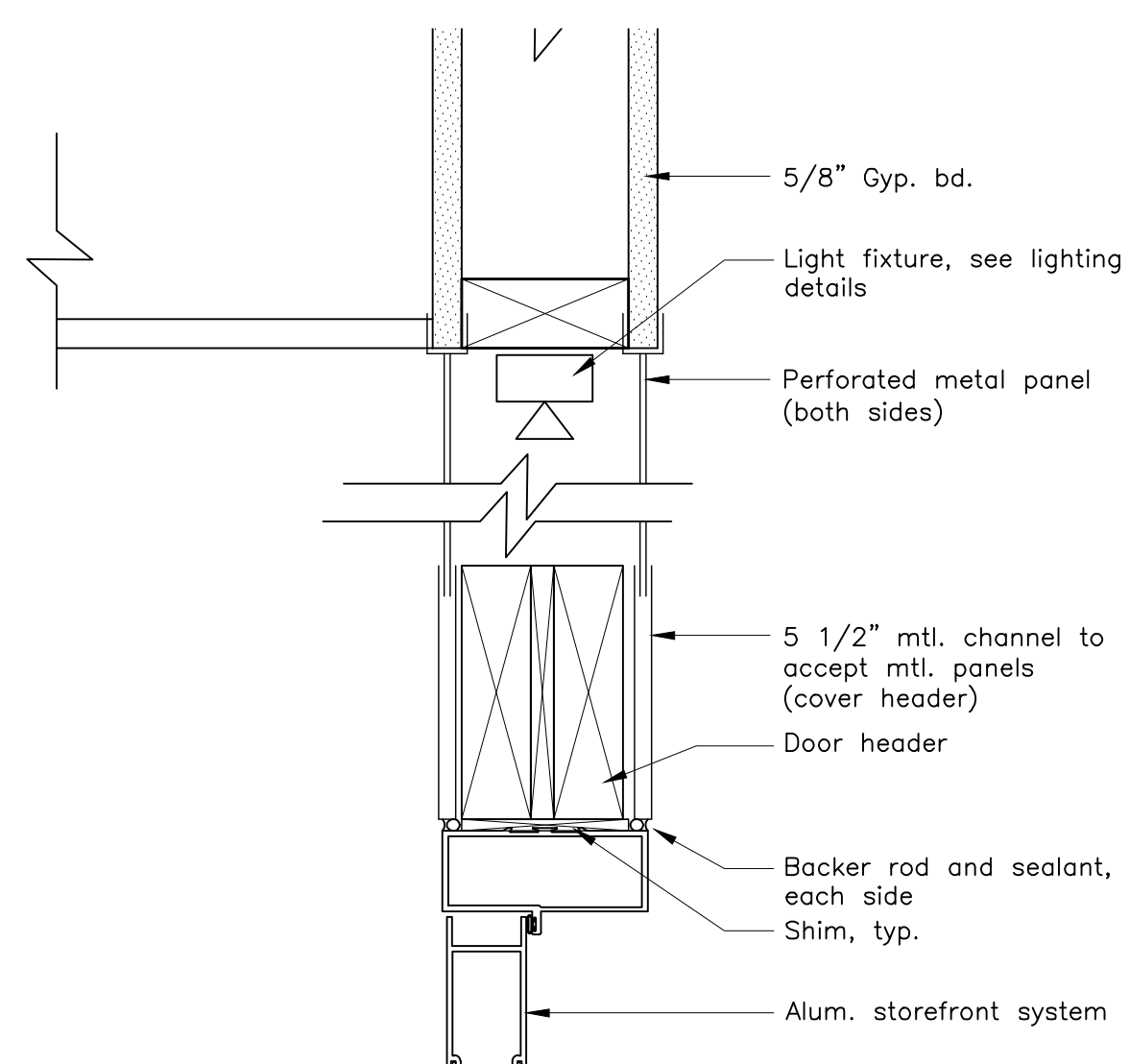
S8 Storefront Jamb/Column Wrap Detail
Scale: 3" = 1'-0"



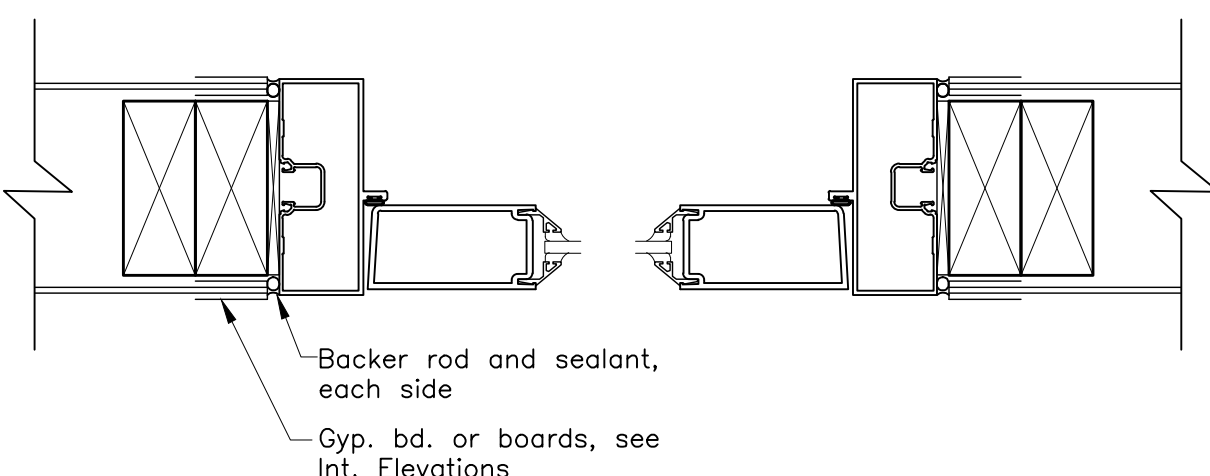
S5 Storefront Jamb Detail
Scale: 3" = 1'-0"



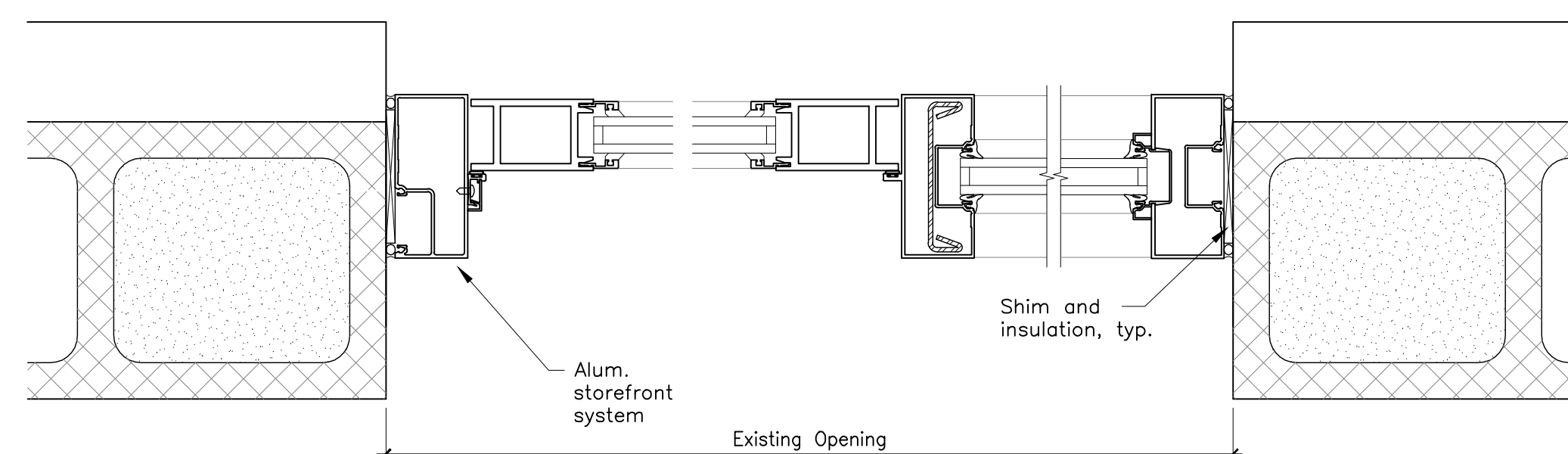
S6 Storefront Jamb Detail
Scale: 3" = 1'-0"



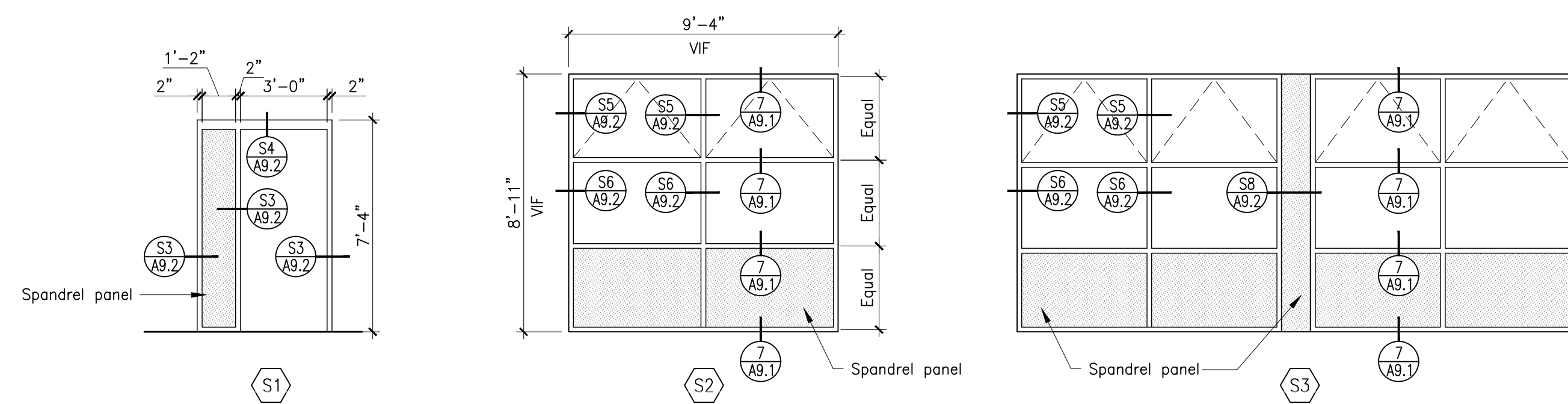
S1 Interior Storefront Door Head
Scale: 3" = 1'-0"



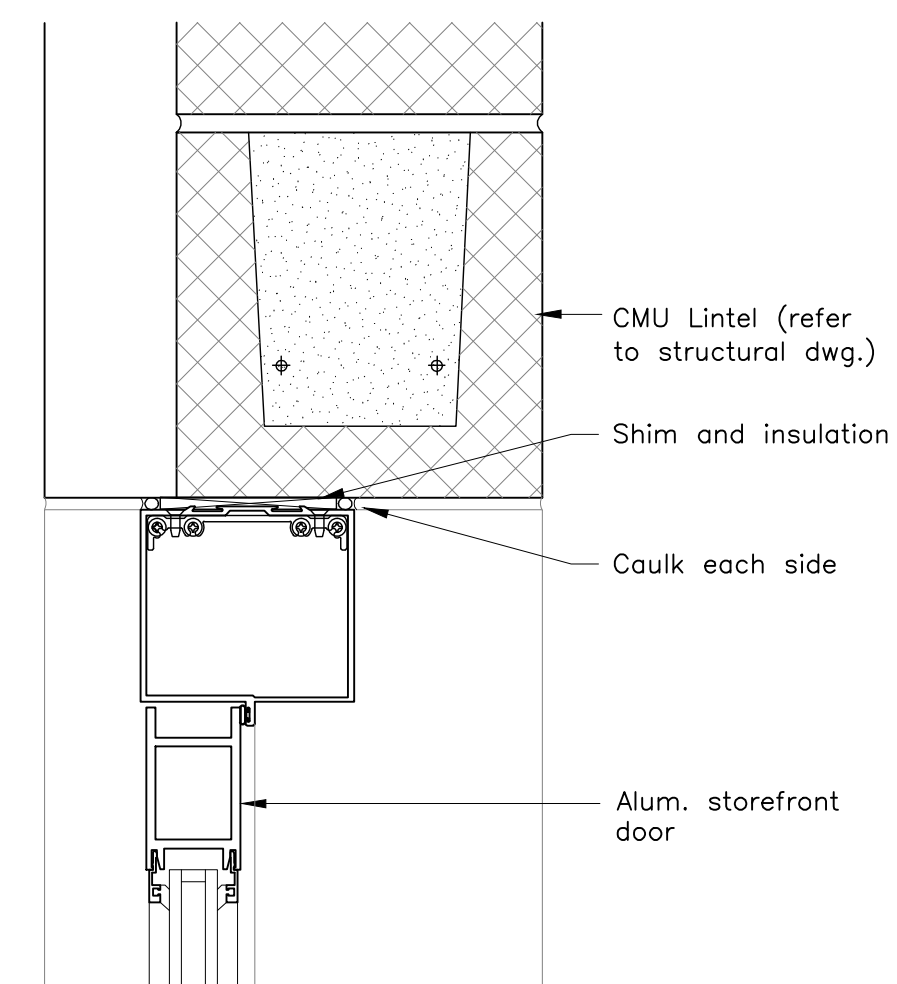
S2 Interior Storefront Door Jamb
Scale: 3" = 1'-0"



S3 Storefront Jamb Detail
Scale: 3" = 1'-0"



SF Storefront Types
Scale: 1/4" = 1'-0"



S4 Storefront Head Detail
Scale: 3" = 1'-0"