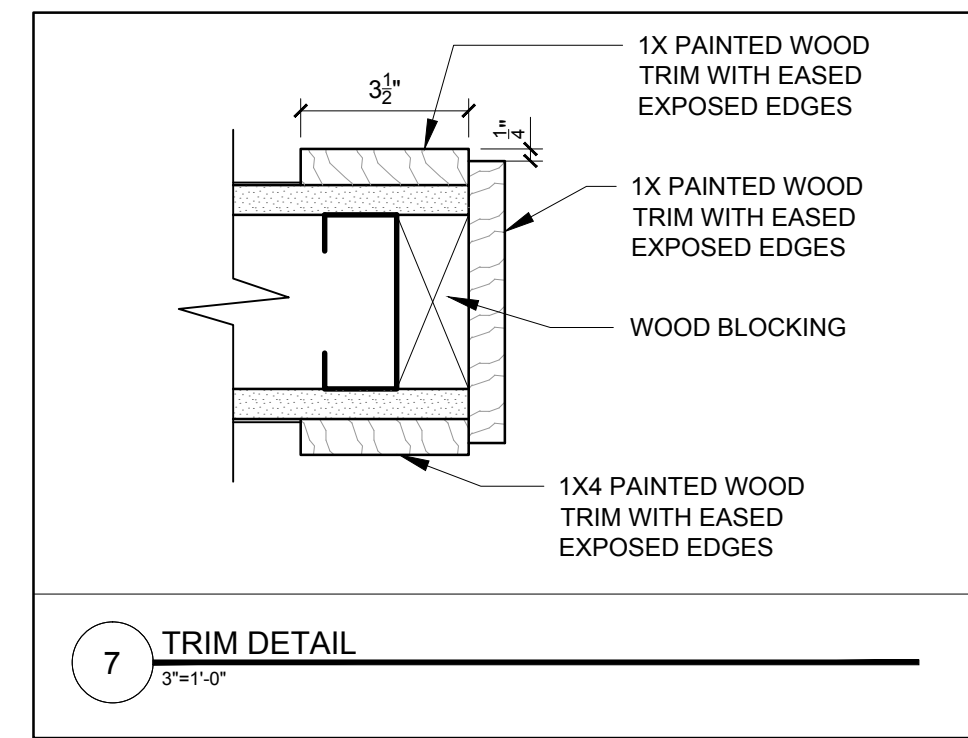
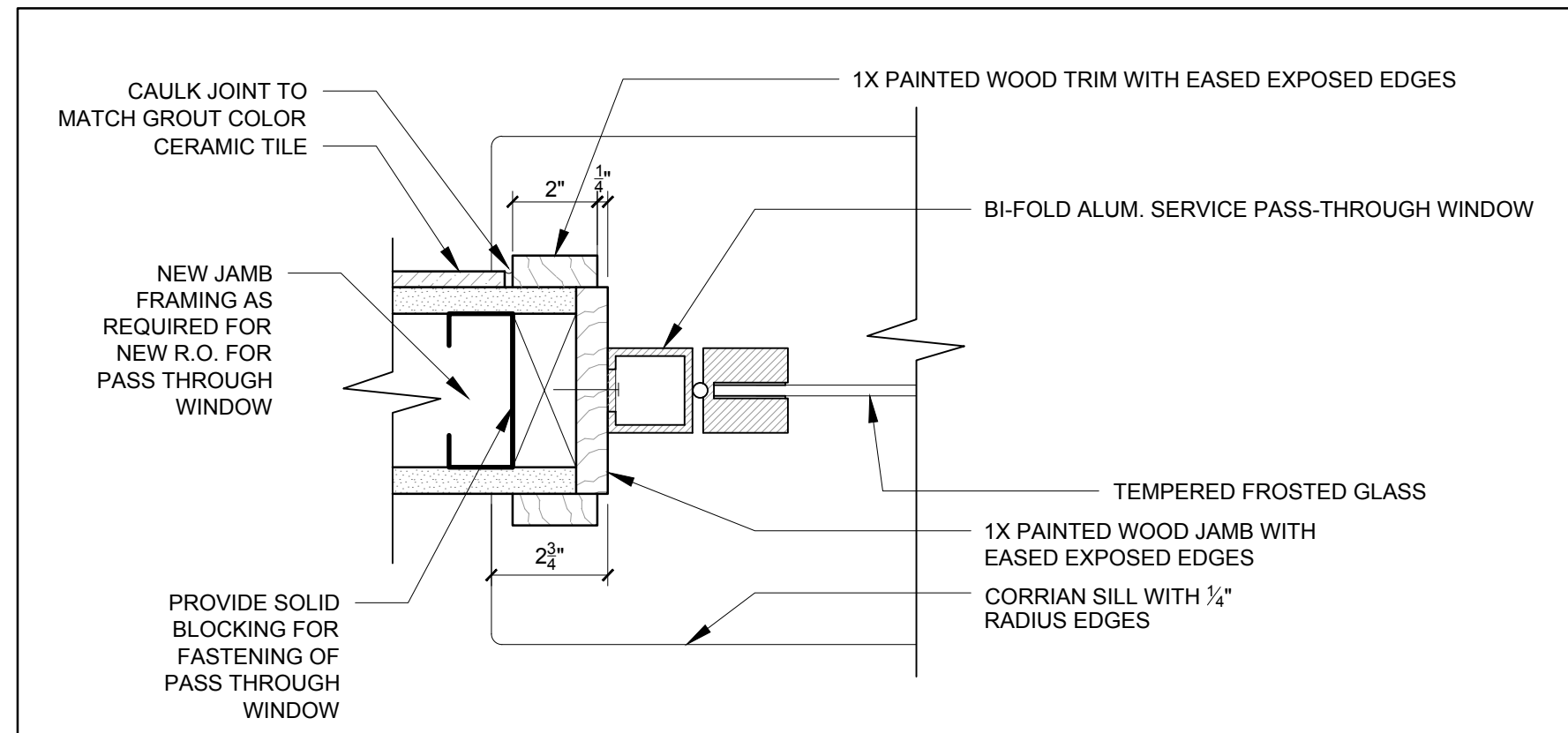


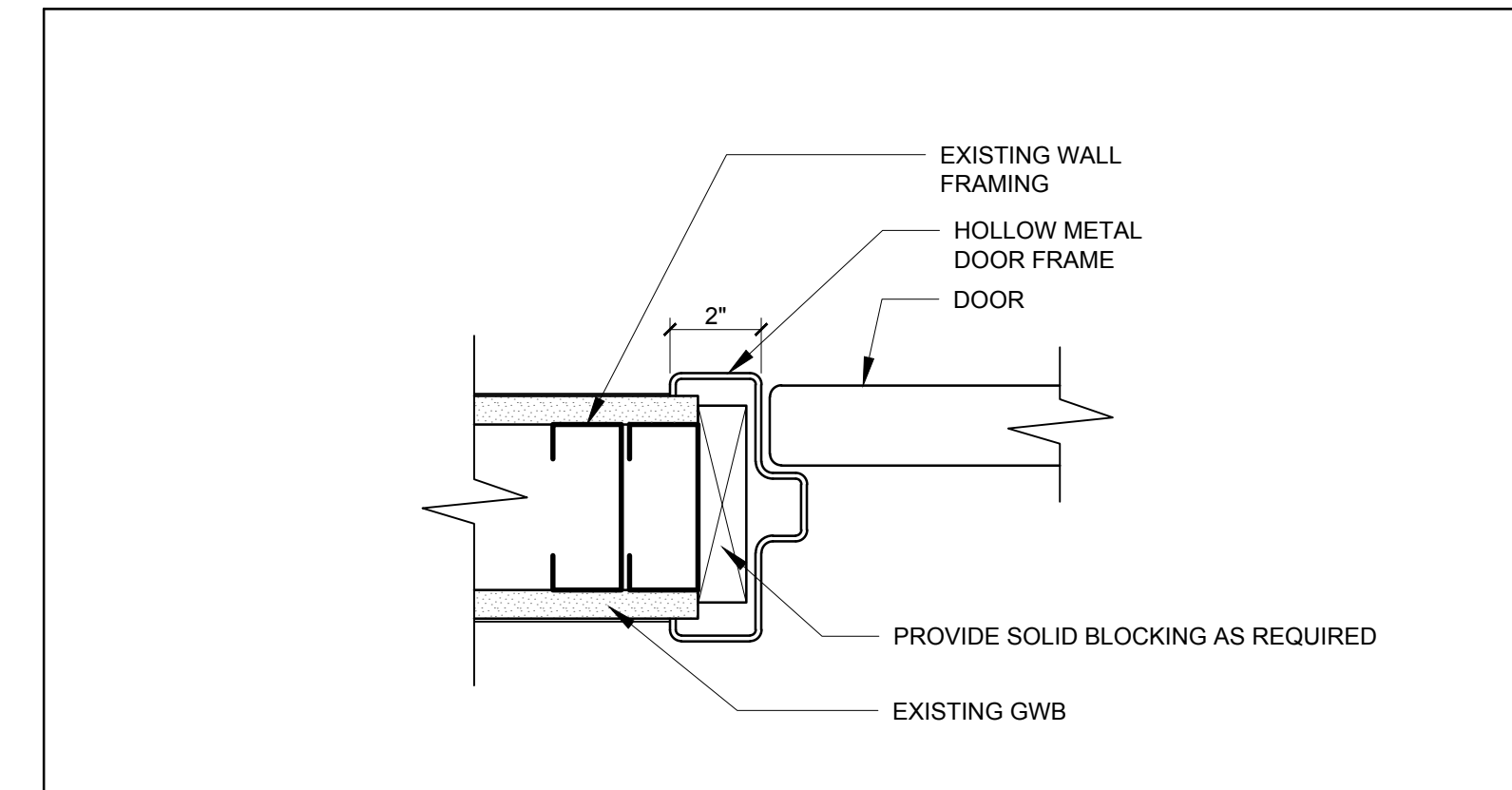
8 CABINET DETAIL
3/8" x 1'-0"



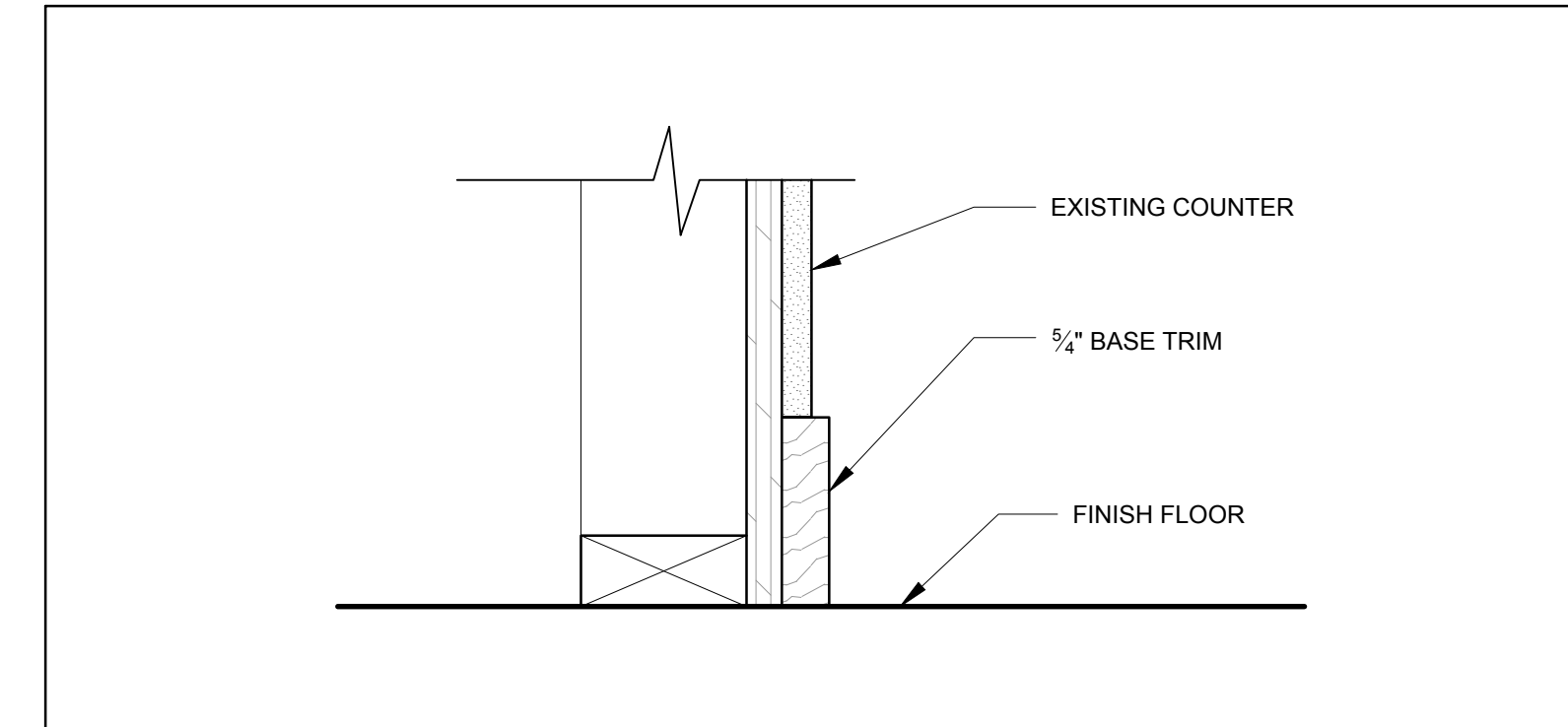
7 TRIM DETAIL
3/8" x 1'-0"



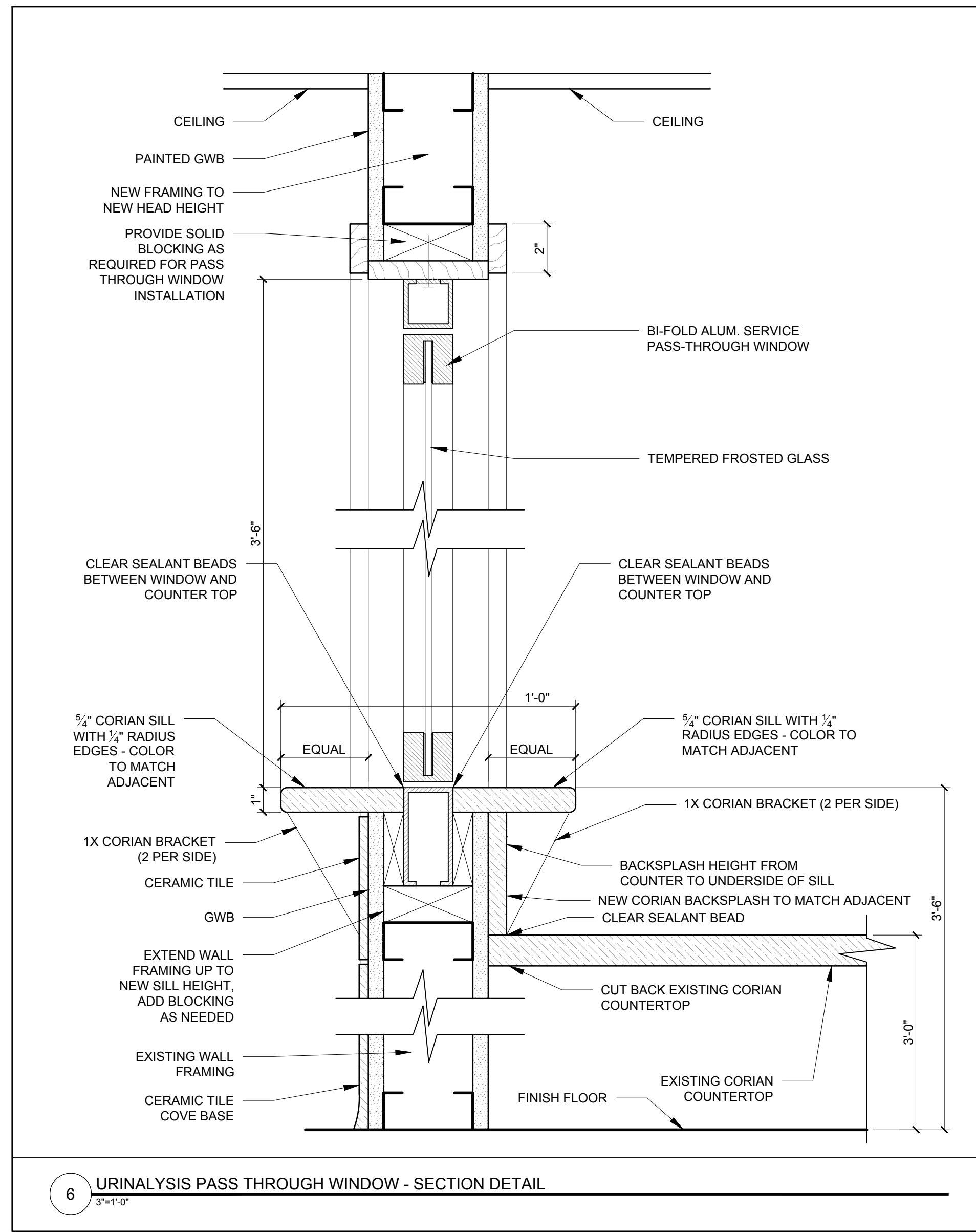
5 URINALYSIS PASS THROUGH WINDOW - PLAN DETAIL
3/8" x 1'-0"



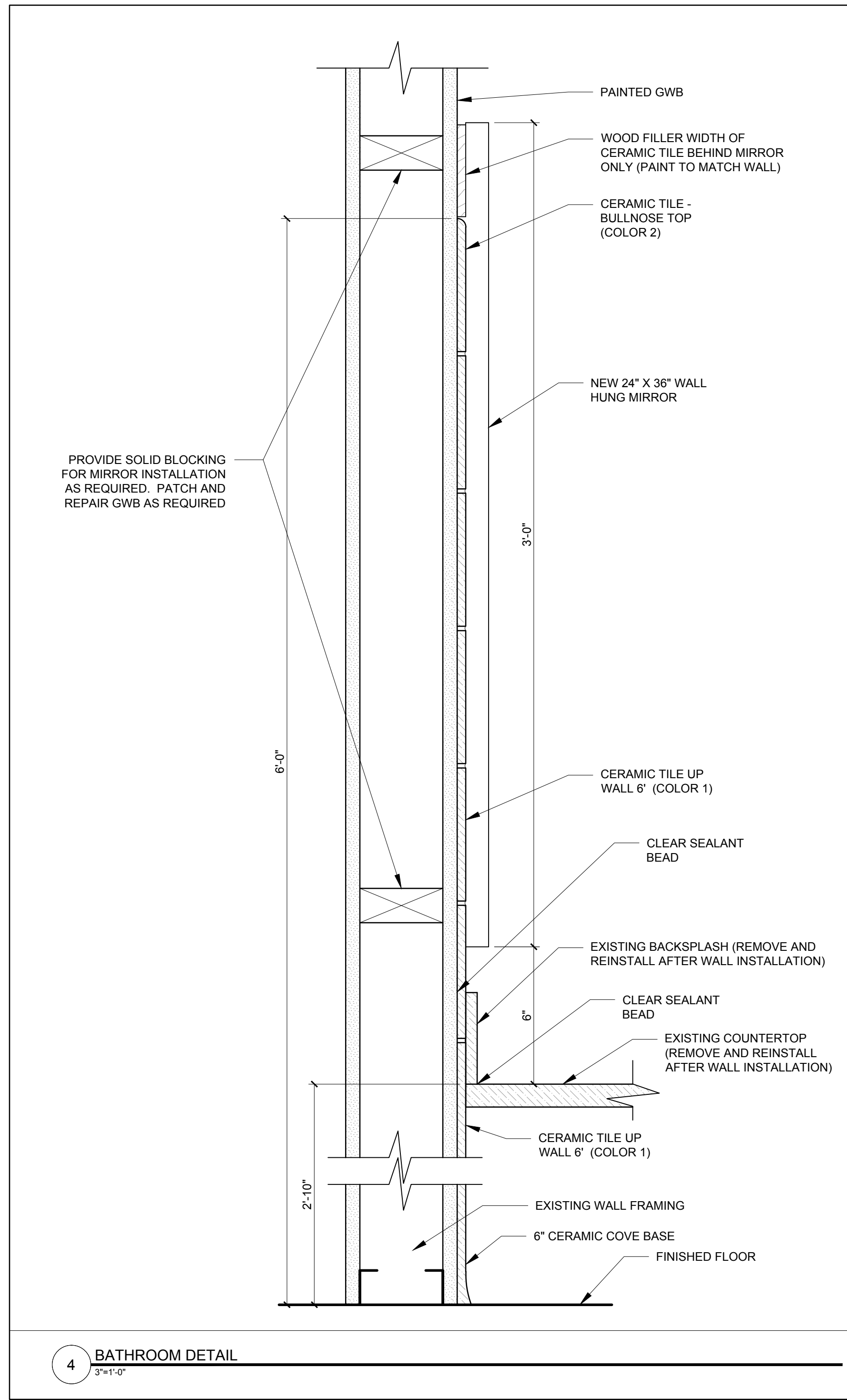
3 INTERIOR DOOR - PLAN DETAIL
3/8" x 1'-0"



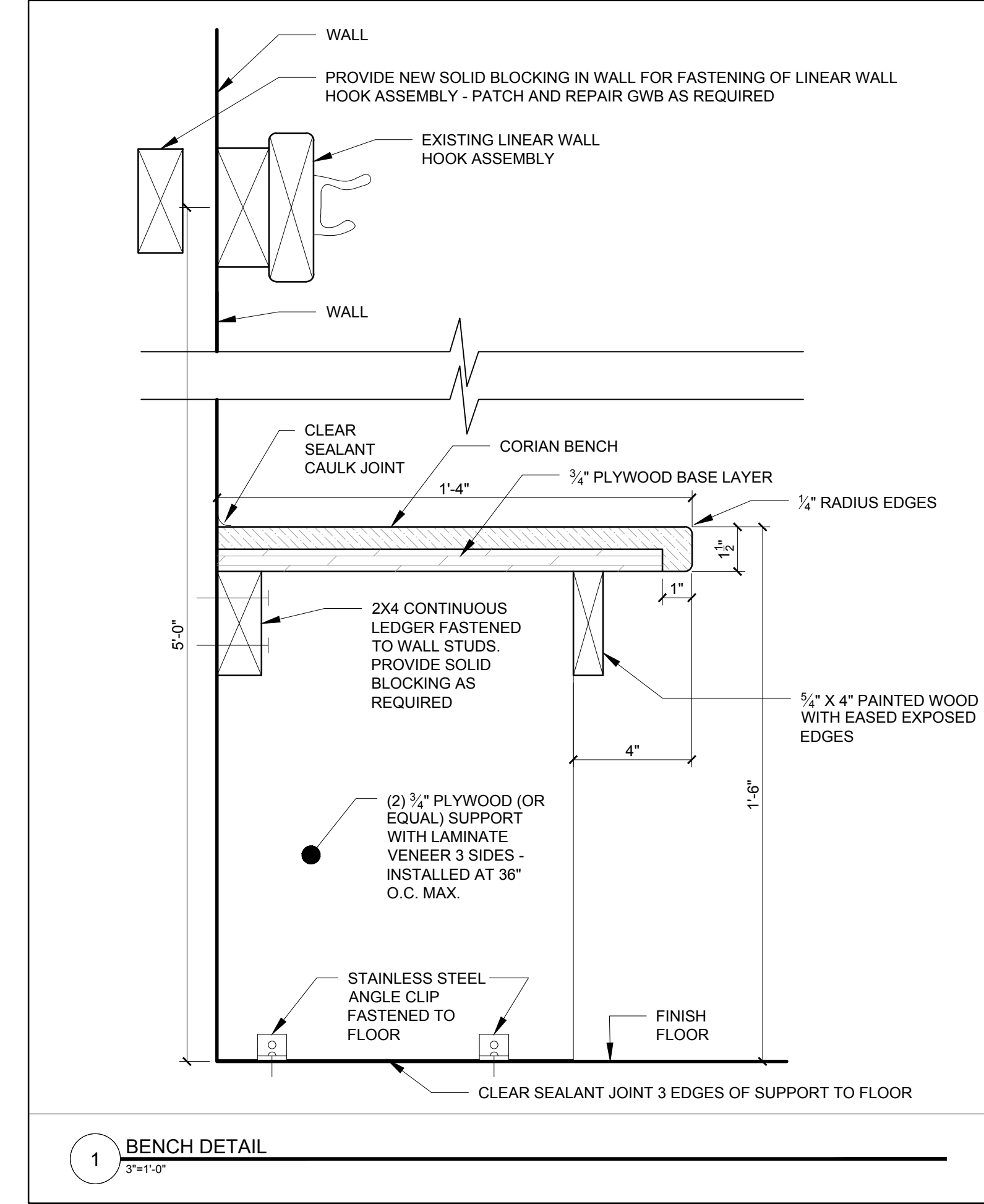
2 BASE TRIM ON EXISTING COUNTER
3/8" x 1'-0"



6 URINALYSIS PASS THROUGH WINDOW - SECTION DETAIL
3/8" x 1'-0"



4 BATHROOM DETAIL
3/8" x 1'-0"



1 BENCH DETAIL
3/8" x 1'-0"



© 2014 RYAN SENATORE ARCHITECTURE

MEPS
510 CONGRESS STREET
PORTLAND, MAINE



RYAN SENATORE
ARCHITECTURE
565 CONGRESS STREET
SUITE 304
PORTLAND, MAINE 04101
207-650-6414
senatorearchitecture.com

CONSULTANTS:

REVISIONS:

DATE: OCTOBER 30, 2014

PROJECT No.

DRAWN BY: RRT / RJS

CHECKED BY: RJS

SCALE: AS NOTED

SHEET TITLE:

DETAILS

A5-0