

© 2014 RYAN SENATORE ARCHITECTURE

MEPS  
510 CONGRESS STREET  
PORTLAND, MAINE



RYAN SENATORE  
ARCHITECTURE  
565 CONGRESS STREET  
SUITE 304  
PORTLAND, MAINE 04101  
207-650-6414  
senatorearchitecture.com

CONSULTANTS:

REVISIONS:

DATE: OCTOBER 30, 2014

PROJECT No.

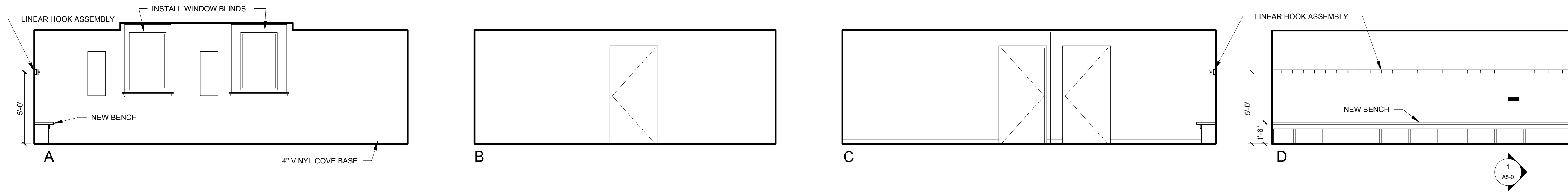
DRAWN BY: RRT / RJS

CHECKED BY: RJS

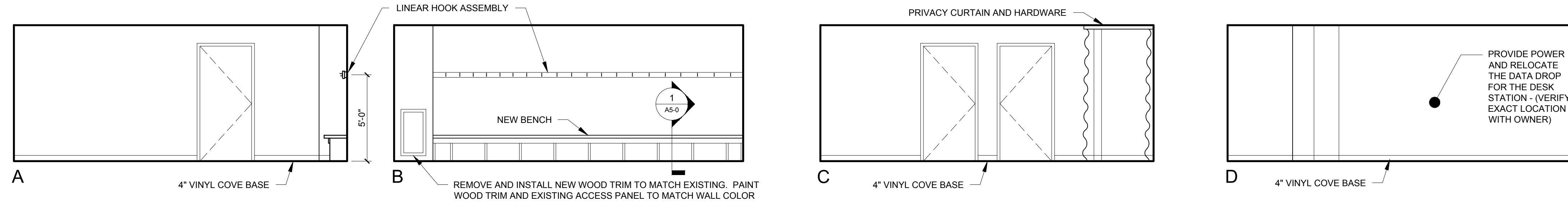
SCALE: AS NOTED

SHEET TITLE:  
INTERIOR  
ELEVATIONS

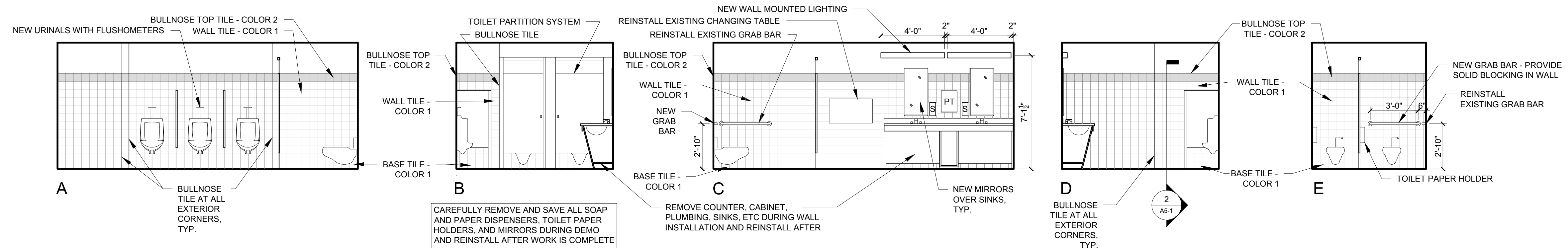
A4-1



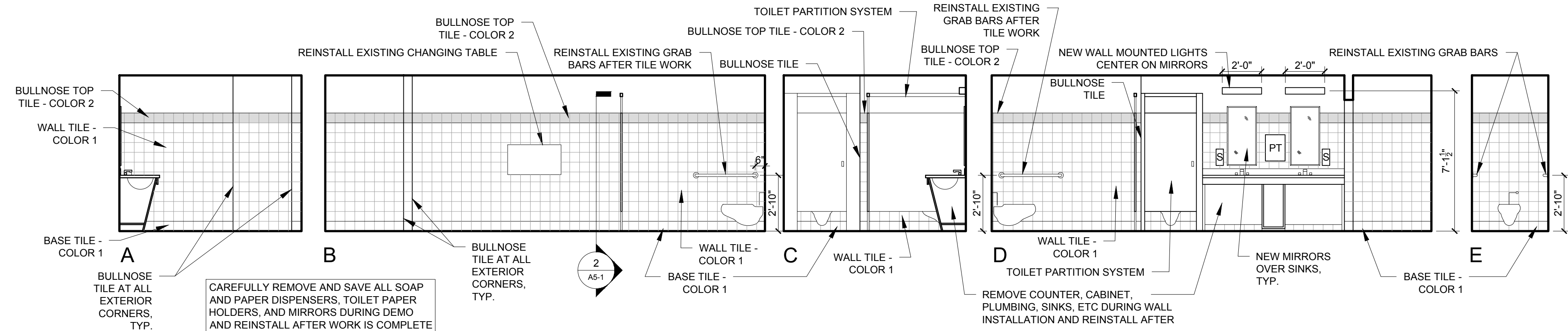
1 MALE ORTHO #404  
1/4" = 1'-0"



2 FEMALE ORTHO #414  
1/4" = 1'-0"



3 MENS LAV # 312  
1/4" = 1'-0"



4 WOMENS LAV # 310  
1/4" = 1'-0"

- PT = PAPER TOWELS
- SD = SOAP DISPENSER
- TP = TOILET PAPER DISPENSER

KEY