

© 2014 RYAN SENATORE ARCHITECTURE

MEPS  
510 CONGRESS STREET  
PORTLAND, MAINE



RYAN SENATORE  
ARCHITECTURE  
565 CONGRESS STREET  
SUITE 304  
PORTLAND, MAINE 04101  
207-550-6414  
senatorearchitecture.com

CONSULTANTS:

REVISIONS:

DATE: OCTOBER 30, 2014

PROJECT No.

DRAWN BY: RRT / RJS

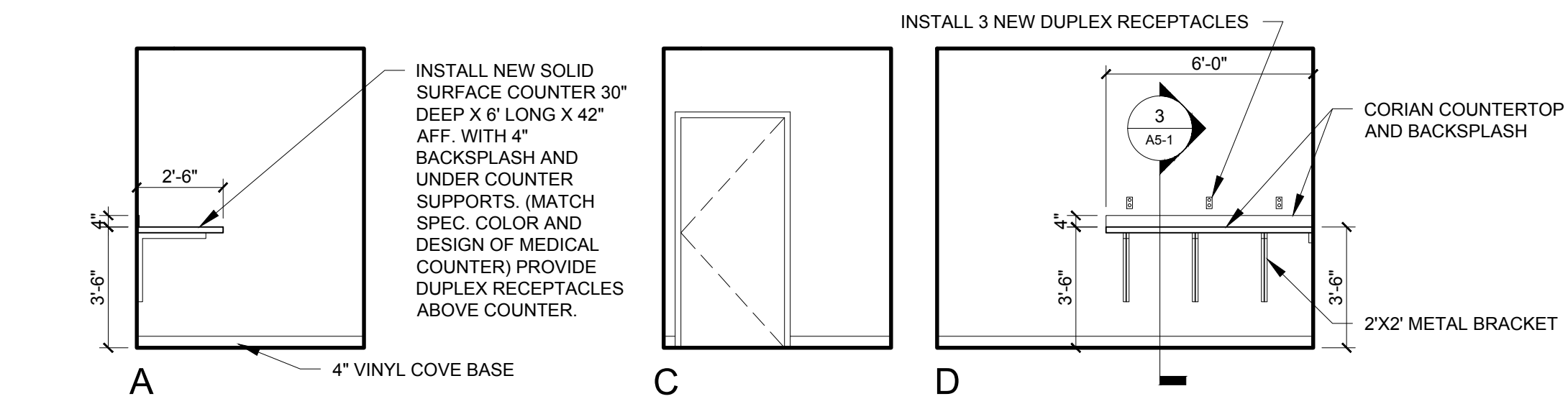
CHECKED BY: RJS

SCALE: AS NOTED

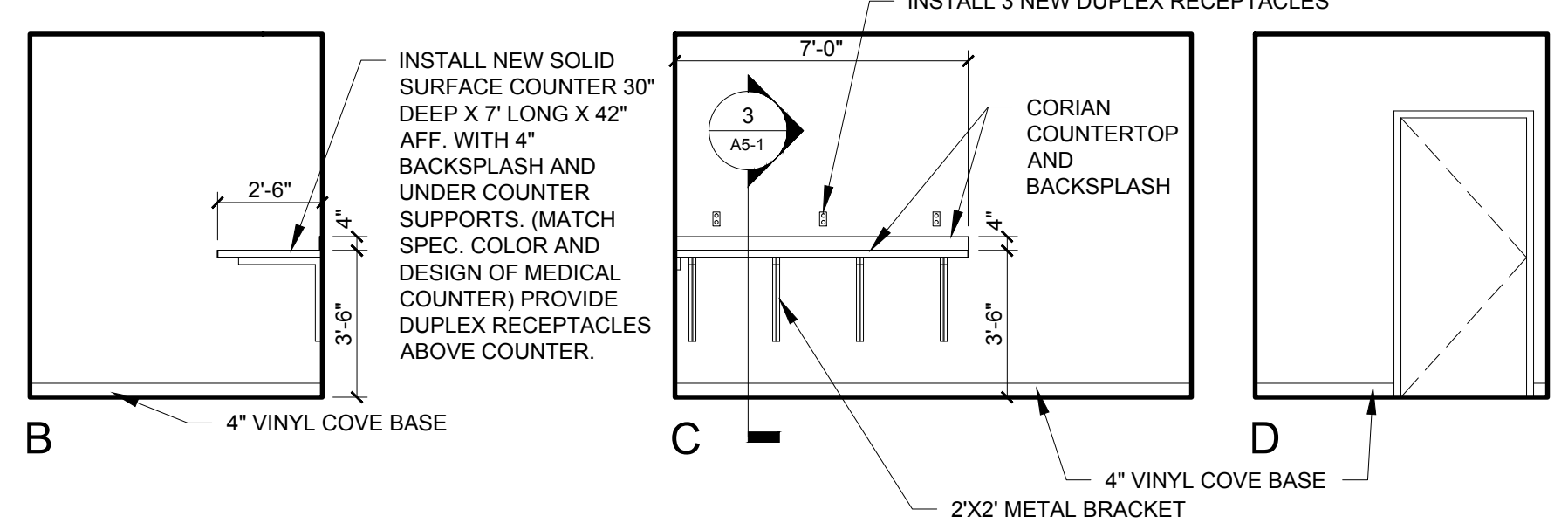
SHEET TITLE:  
INTERIOR  
ELEVATIONS

A4-0

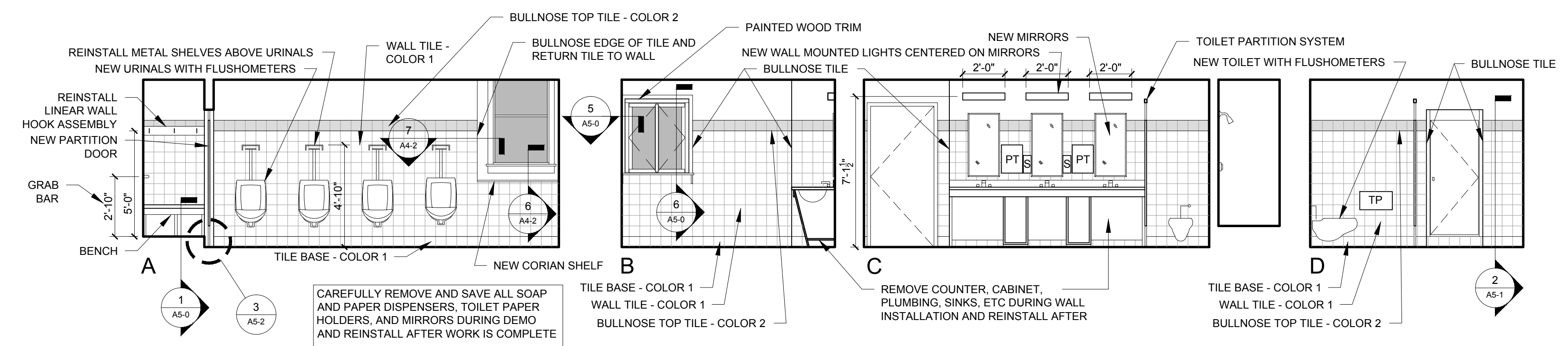
- PT = PAPER TOWELS
- SD = SOAP DISPENSER
- TP = TOILET PAPER DISPENSER
- KEY



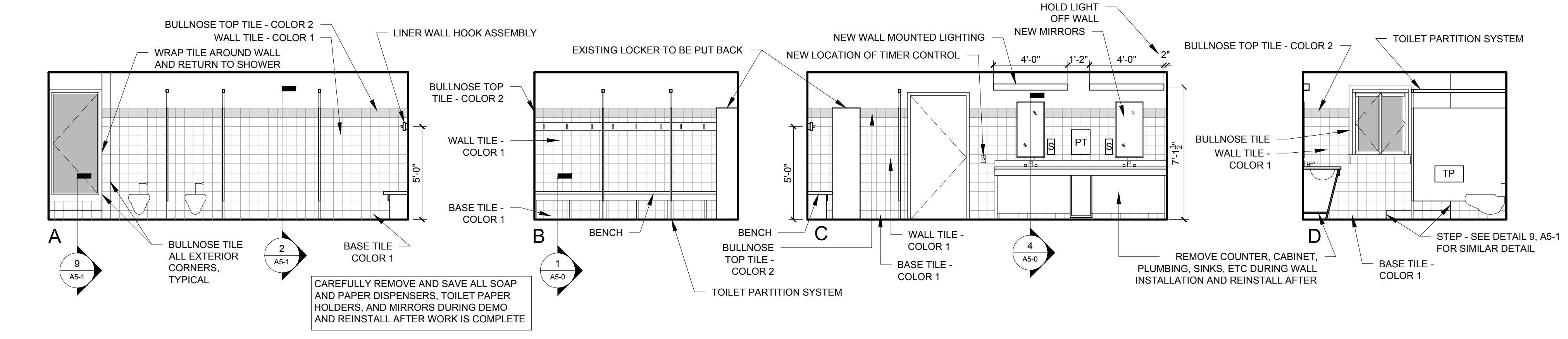
1 VISION ROOM 1 - #407  
1/4" = 1'-0"



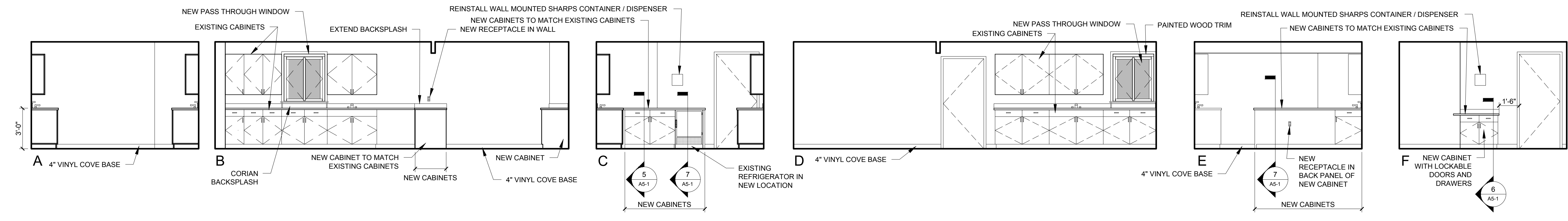
2 VISION ROOM 2 - #409  
1/4" = 1'-0"



3 MALE URINALIS - #412  
1/4" = 1'-0"



4 WOMENS URINALIS - #415  
1/4" = 1'-0"



5 LAB - #413  
1/4" = 1'-0"