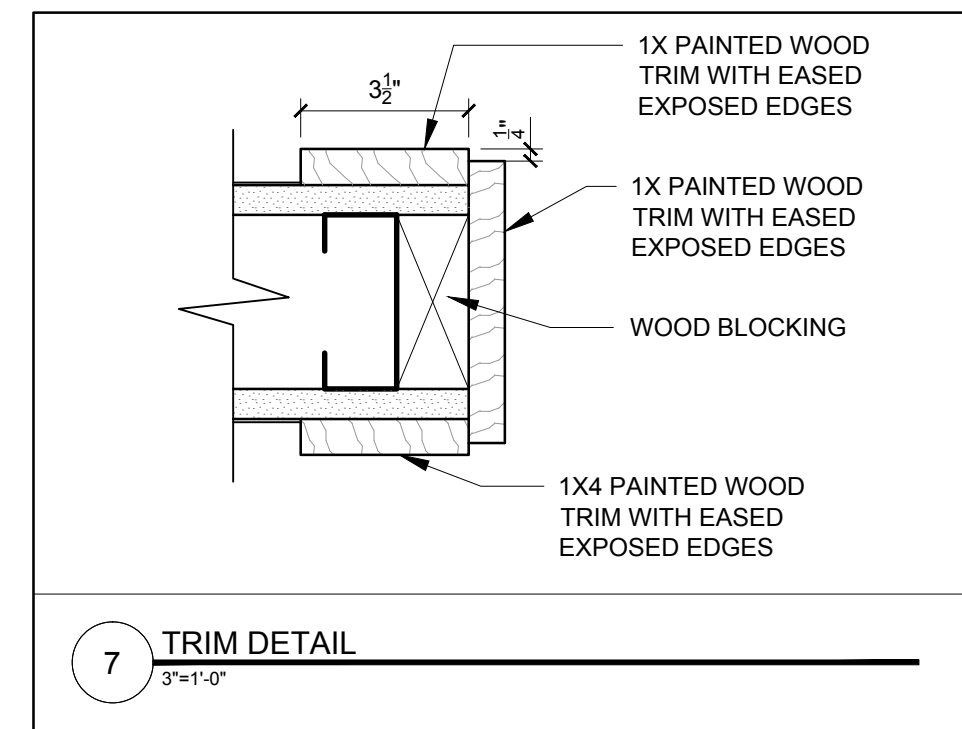
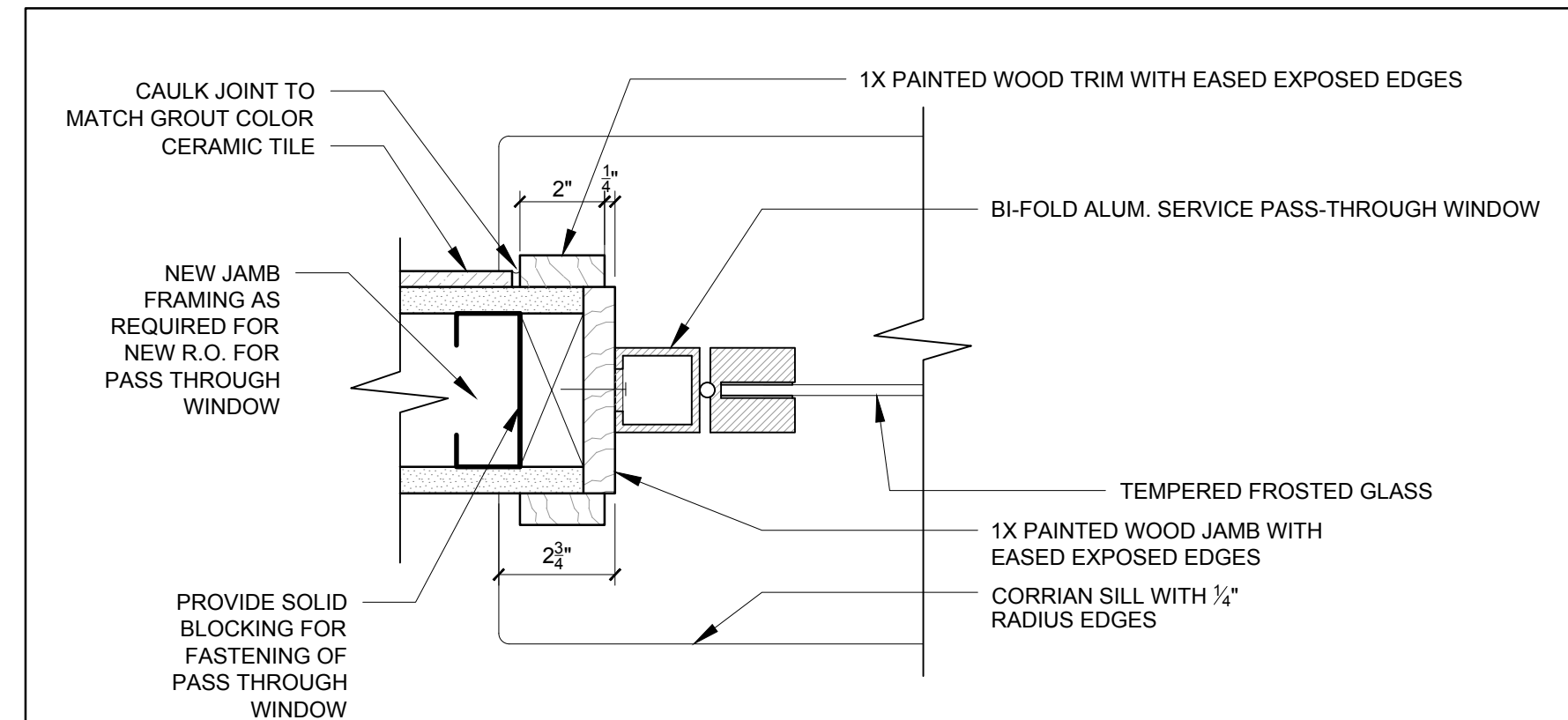


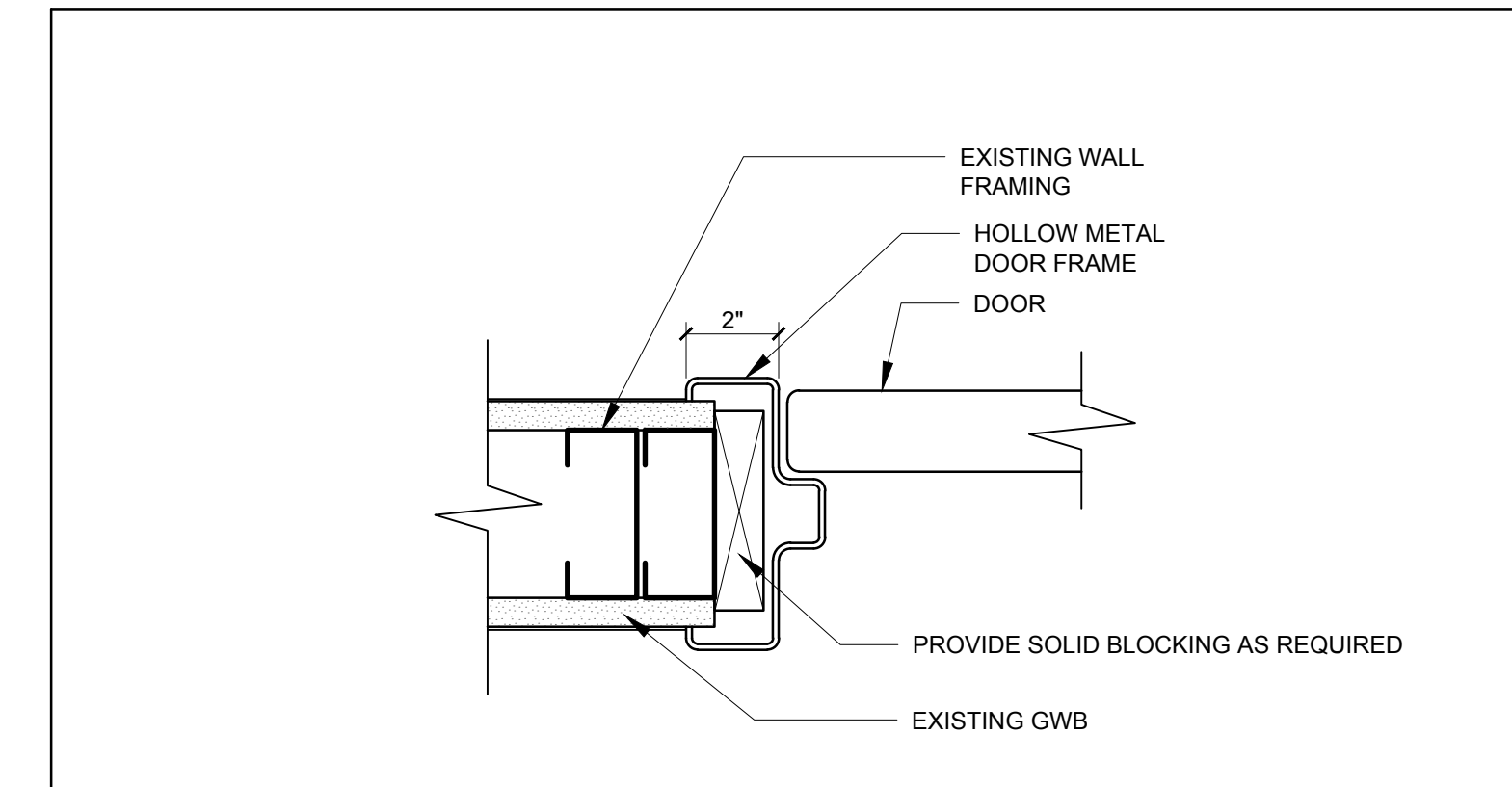
8 CABINET DETAIL
3/4" x 1'-0"



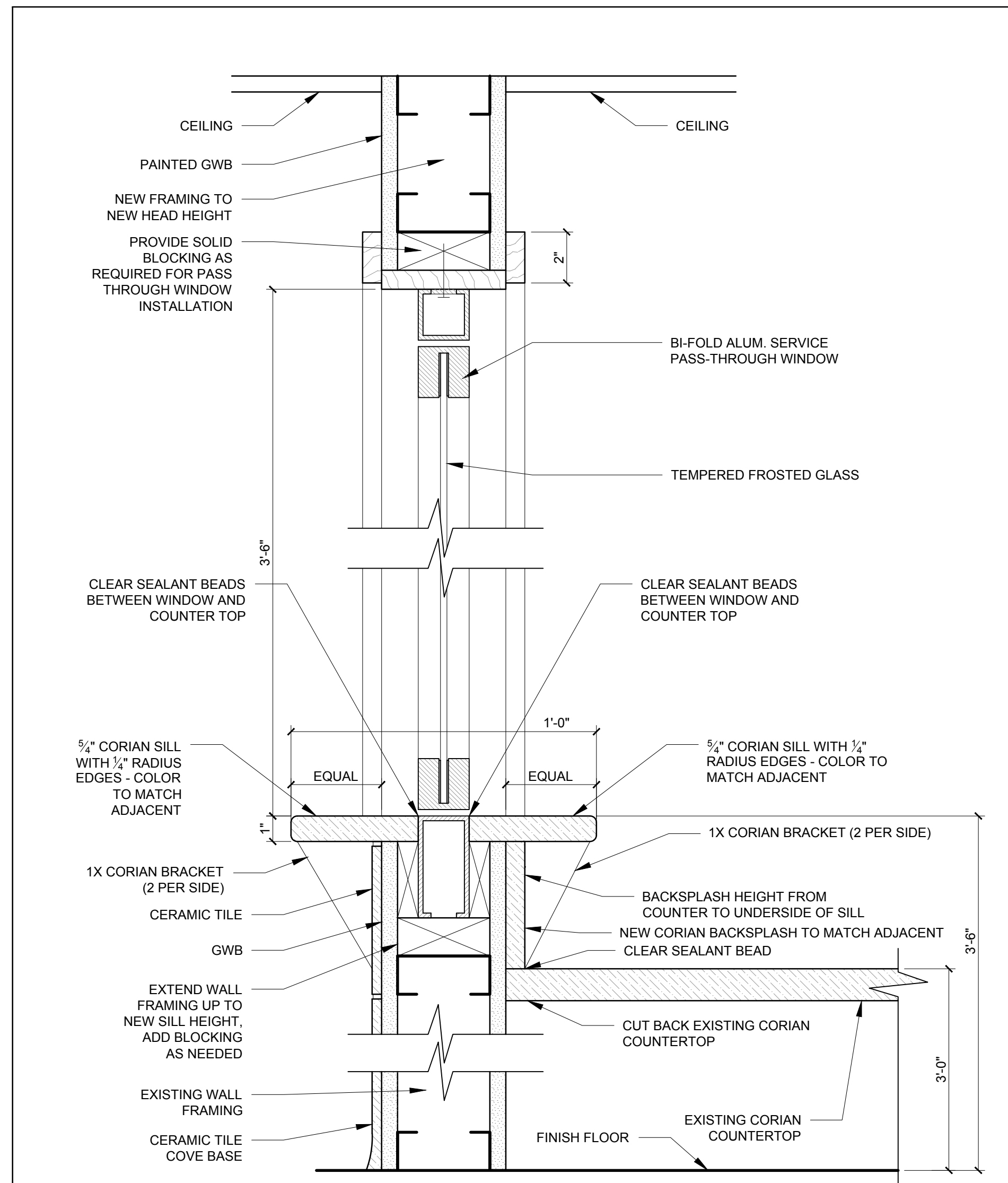
7 TRIM DETAIL
3/4" x 1'-0"



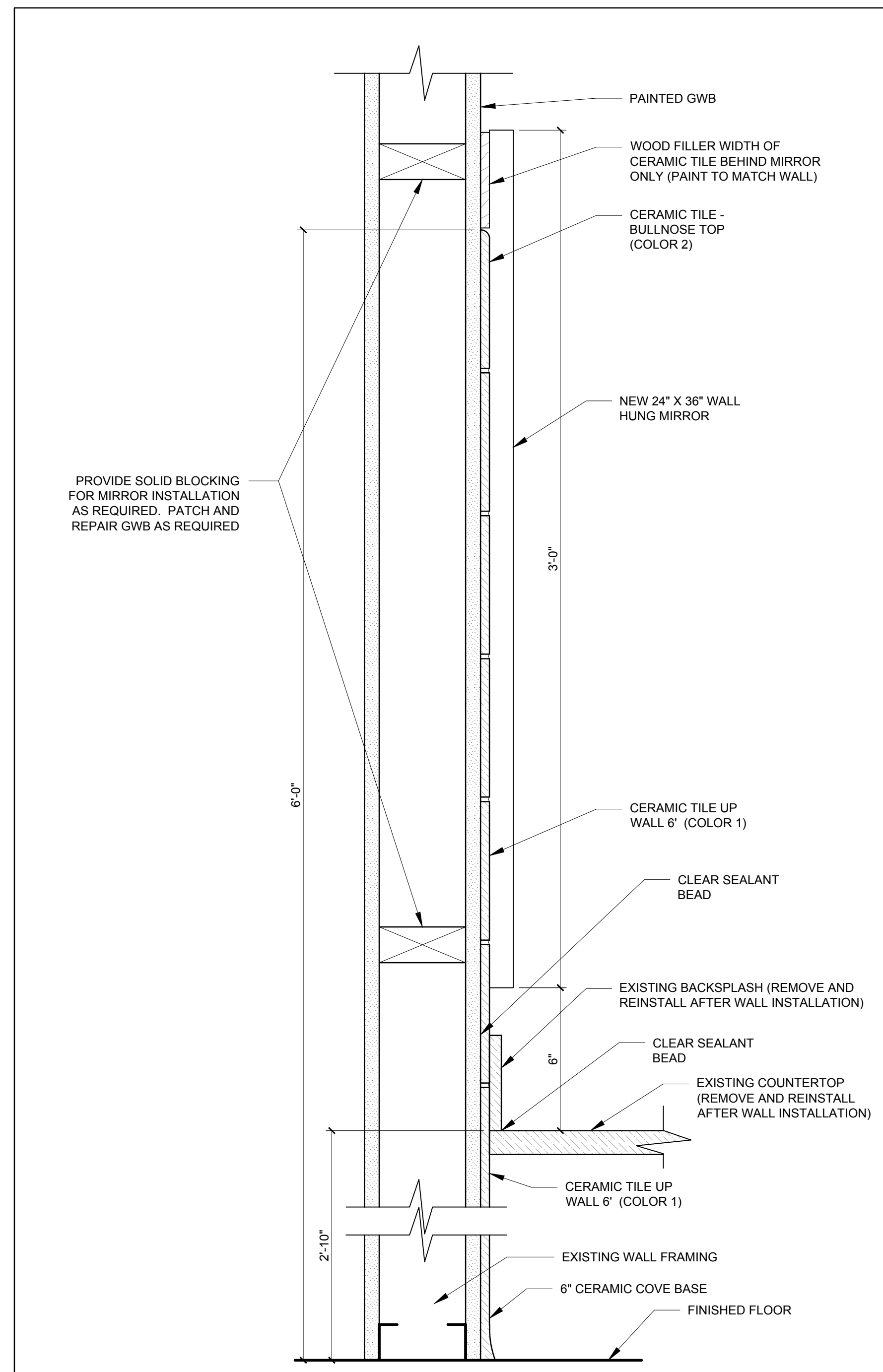
5 URINALYSIS PASS THROUGH WINDOW - PLAN DETAIL
3/4" x 1'-0"



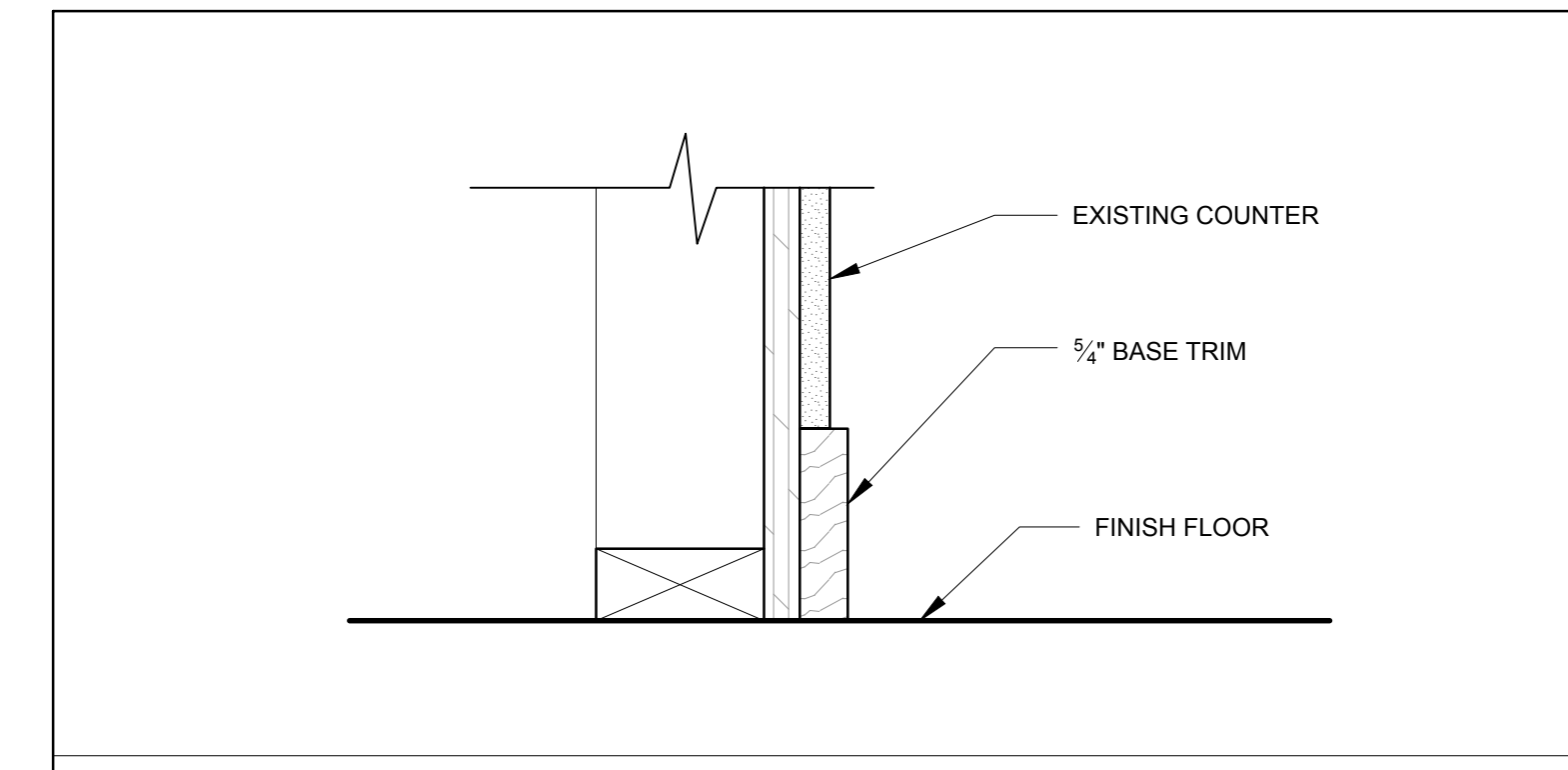
3 INTERIOR DOOR - PLAN DETAIL
3/4" x 1'-0"



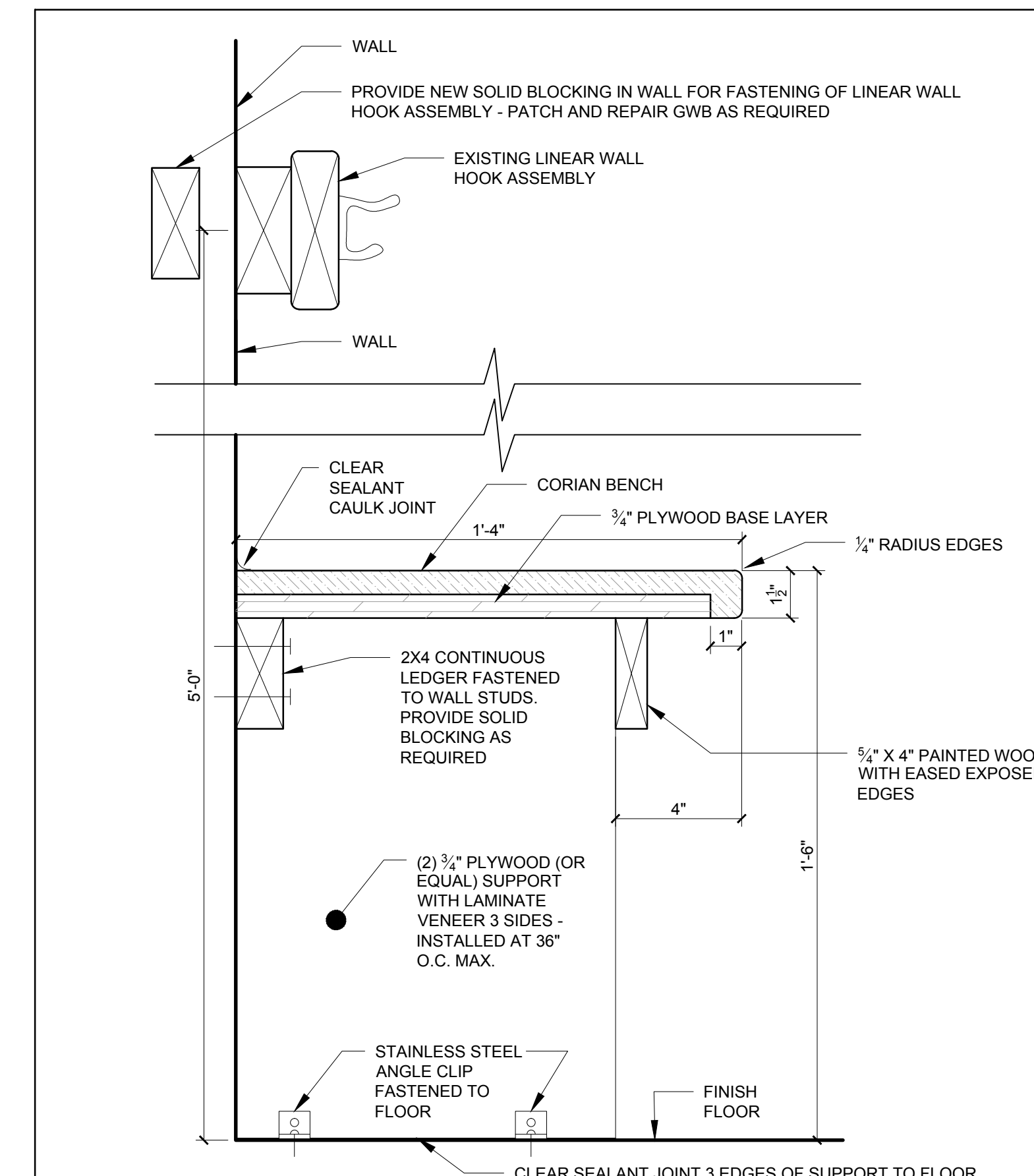
6 URINALYSIS PASS THROUGH WINDOW - SECTION DETAIL
3/4" x 1'-0"



4 BATHROOM DETAIL
3/4" x 1'-0"



2 BASE TRIM ON EXISTING COUNTER
3/4" x 1'-0"



1 BENCH DETAIL
3/4" x 1'-0"