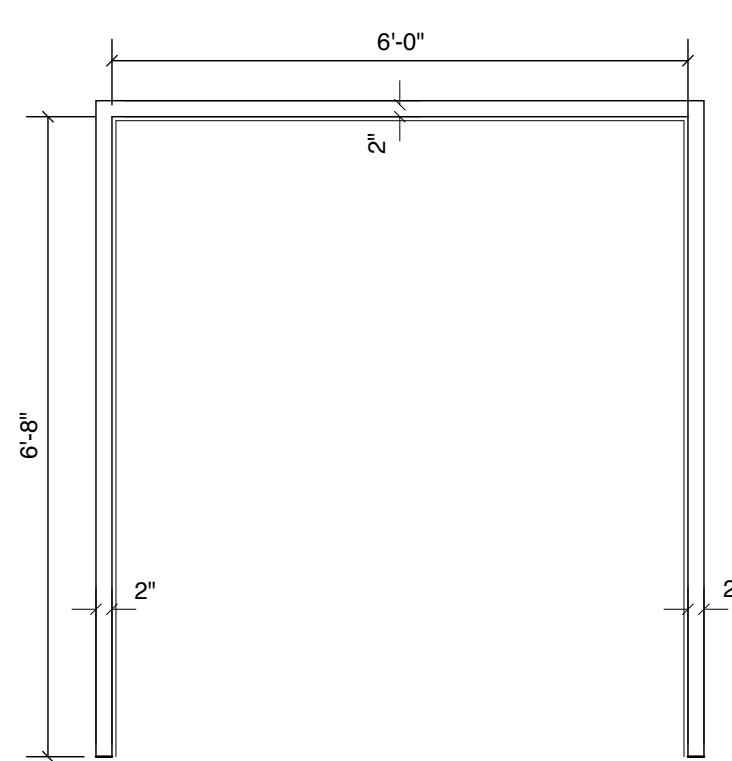
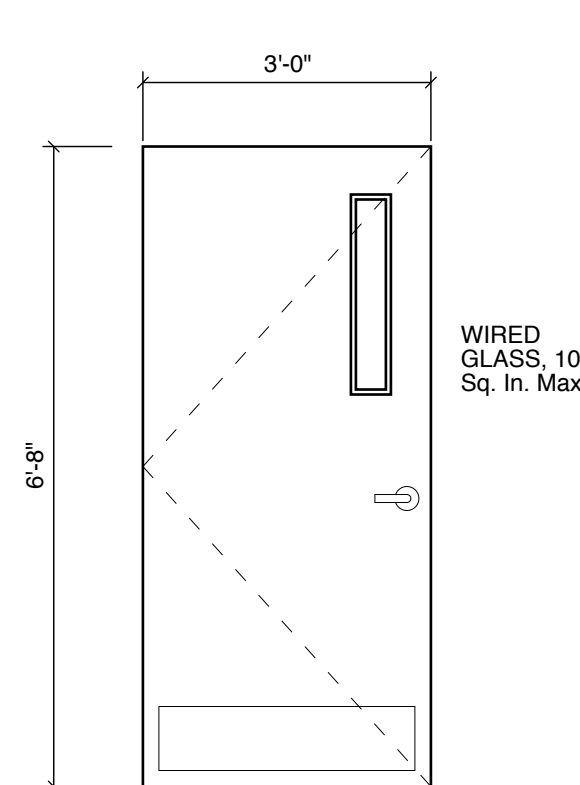


Frame Type **1**
Hollow Metal.
match fire
rating of door
as required.

1 Door Frame Types
SCALE: 1/2" = 1'-0"

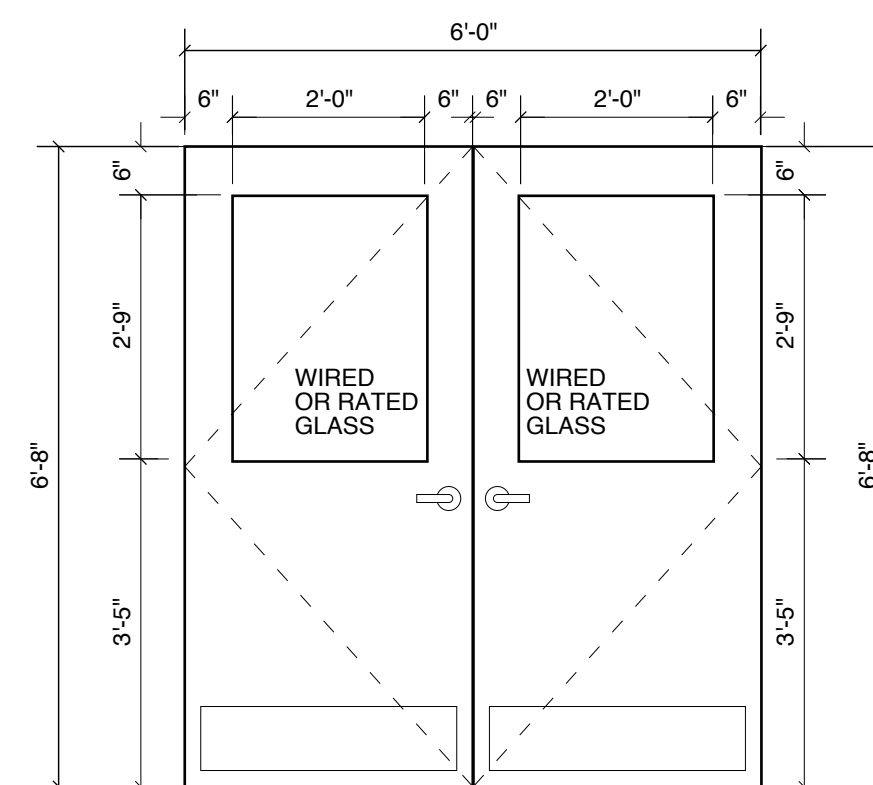


Frame Type **2**
Hollow Metal
Match fire
rating of door
as required.

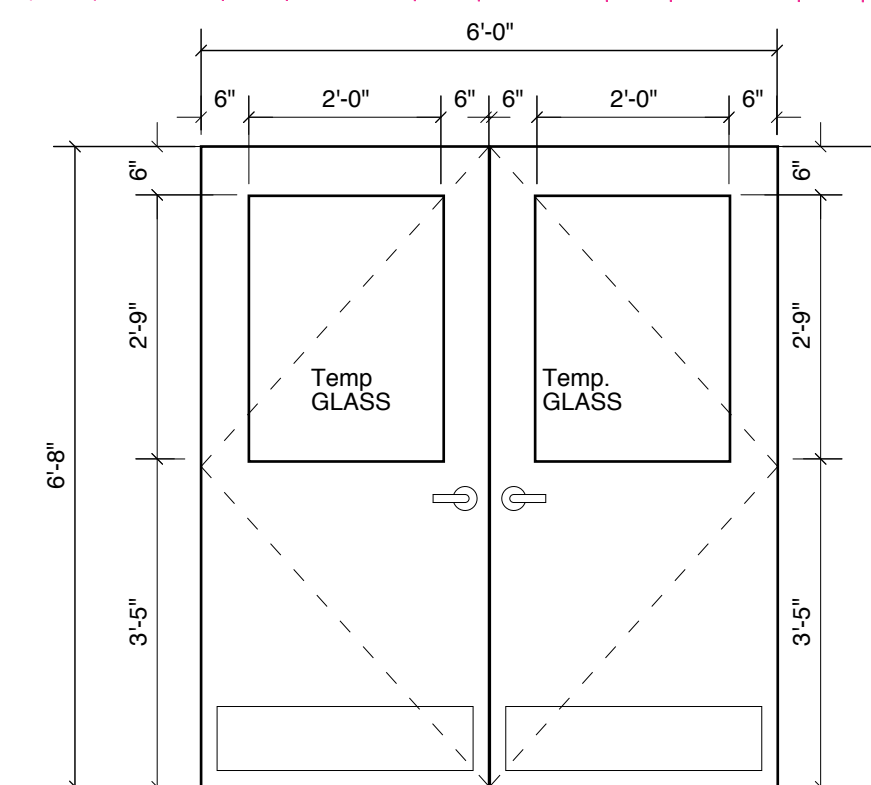


Door Type **A**
Hollow Metal
90 min, B Label
rated

3 Door Types
SCALE: 1/2" = 1'-0"



Door Type **B**
Hollow Metal
20 min rating



Door Type **C**
Hollow Metal

Door No.	LOCATION		DOOR				FRAME		SIDELITE		HARDWARE		COMMENTS
	From	To	Size	Type	Material	Finish	Type	Material	Size	Material	Group	Function	
319a	STUDIO 309B	HALL 319	6'-0" X 6'-8"	B	HM	PTD	2	HM	NA	NA		CLASSROOM	
319b	WOOD MAJORS	HALL 319	6'-0" X 6'-8"	B	HM	PTD	2	HM	NA	NA		CLASSROOM	
322a	HALL 319	EGRESS STAIR 2	3'-0" X 6'-8"	A	HM	PTD	1	HM	NA	NA		PANIC	
322b	STUDIO 320	EGRESS STAIR 2	3'-0" X 6'-8"	A	HM	PTD	1	HM	NA	NA		PANIC	

NOTE : SEE SHEET A1.3 FOR PHASE II DOORS ON PLAN - COORDINATE WITH WORK BY ONWER

5 Door Schedule

RR | A
Richard Renner|Architects

133 South Main Street
Shelburne, MA 01770
508.651.2385
508.651.0911 fax

35 Pleasant Street
Portland, ME 04101
207.773.9699
207.773.9699 fax

RICHARD K. RENNER
REGISTERED ARCHITECT
No. 1056
STATE OF MAINE

**Permit Set
Revised**

**MAINE COLLEGE OF ART
Third Floor Phase I & II**

522 Congress Street
Portland, Maine

Schedules & Door Types

Drawn by: ENM
Scale: 1/2"=1'
Date: 04.15.11

File Name: A3.1 Schedules
Project No. 2008-04.00
Revised: 05.17.11

THIRD FLOOR

A3.1