



MS-701ADU
Intelligent Addressable
Single Action Manual Station

MS-710ADU
Intelligent Addressable
Dual Action Manual Station

Description

Mircom's MS-700ADU Series provide manual fire reporting. These high quality, die-cast metal Intelligent Fire Alarm Manual Stations are available in either single or dual action configurations with a permanently attached addressable module.

The MS-700ADU Series stations are available as single or dual-action devices with key resets and a permanently attached addressable module. The addressable manual station has a pair of rotary decimal switches which allows for two digit address setting. Pulling the handle initiates the operation of the addressable module.

All models are available with CAT-30 keys and mount on a standard single gang backbox, Mircom model BB-700 interior surface metal backbox, or BB-700WP weather proof backbox.

Features

- Single or Dual Action
- Key resettable
- Permanently Attached Intelligent Addressable Module
- High-gloss red enamel finish
- Plastic breakrod
- Meets ADA 5 lb. maximum manual-force
- Mounts on standard single gang box, Mircom's BB-700 surface metal backbox or BB-700WP weather proof backbox

Operation

The MS-701ADU Single Action Intelligent Manual Station is operated by pulling down the handle marked "PULL HANDLE" on the front of the station. The MS-710U Dual Action Intelligent Manual Station is operated by pushing the bar labelled "PUSH BAR" and then pulling down the handle marked "PULL HANDLE". The MS-700ADU Series Manual Stations are reset by opening the station with the key, placing the handle in the normal upright position and re-locking the station.

Specifications

The manual station shall be Mircom's MS-700ADU Series. Operating instructions shall be in raised English lettering and the unit shall be constructed of high quality die-cast metal and finished in red enamel paint to provide quick identification. Pulling the handle shall initiate immediate operation of the intelligent addressable module. All manual fire alarm stations shall be installed as per the specific requirements outlined in the UL codes, as well as all other applicable national or local codes. Final acceptance is subject to the local authority having jurisdiction.



Specifications

Switch Rating:	1 Amp @ 30 VDC 0.1 Amp @ 125 VAC
Manual Station Dimensions:	4.9" H x 3.5" W x 2.0" D
Color:	Red with raised white letters, white Manual bar with raised red letters.
Current Consumption:	Standby: 400 uA Alarm: 5.5 mA

Surface Mount Backboxes



BB-700 Surface Mount Backbox

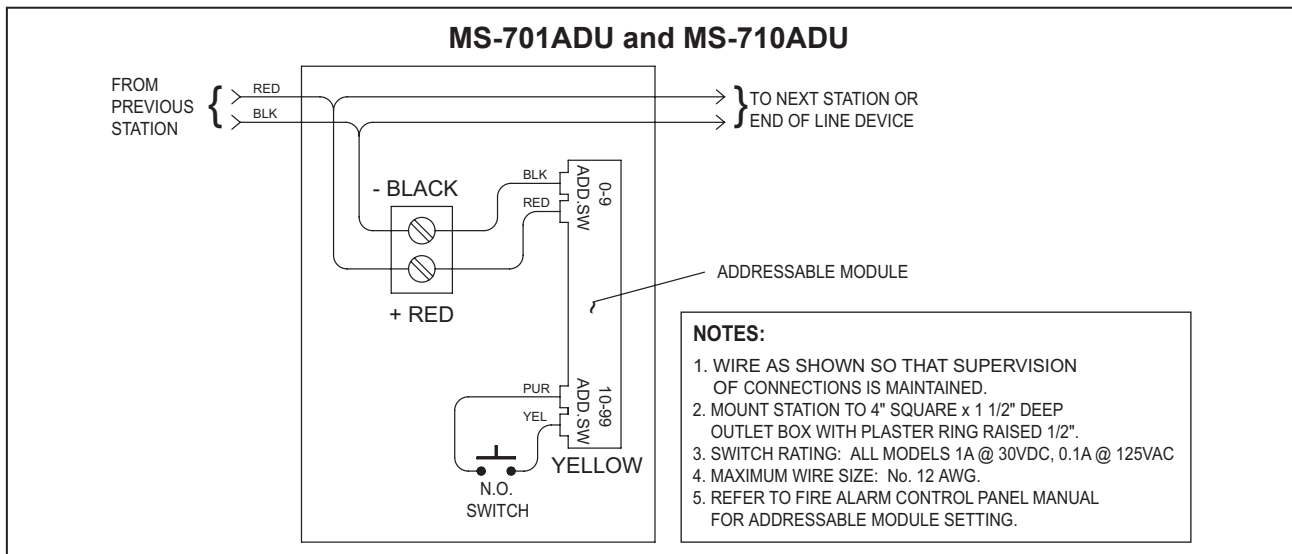
Dimensions:
5" H x 3.6" W x 2.0" D



BB-700WP Weatherproof Surface Mount Backbox

Dimensions:
5" H x 3.6" W x 2.2" D

Typical Wiring Diagram



Ordering Information

Model	Description
MS-701ADU	Intelligent Addressable Key Resettable Single Action Manual Station
MS-702ADU	Intelligent Addressable Key Resettable Dual Stage Single Action Manual Station
MS-710ADU	Intelligent Addressable Key Resettable Dual Action Manual Station
BB-700	Series 700 Interior Surface Mount Backbox, Red Finish
BB-700WP	Series 700 Weatherproof Surface Mount Backbox, Red Finish

Add suffix "NY" for New York Versions

NOT TO BE USED FOR INSTALLATION PURPOSES.



Canada

25 Interchange Way
Vaughan, Ontario L4K 5W3
Telephone: (905) 660-4655
Fax: (905) 660-4113

U.S.A.

4575 Witmer Industrial Estates
Niagara Falls, NY 14305
Toll Free: (888) 660-4655
Fax Toll Free: (888) 660-4113

Web page: <http://www.mircom.com> Email: mail@mircom.com

Distributed by:



CAT. 5928
Rev. 2