

F1
Hollow Metal

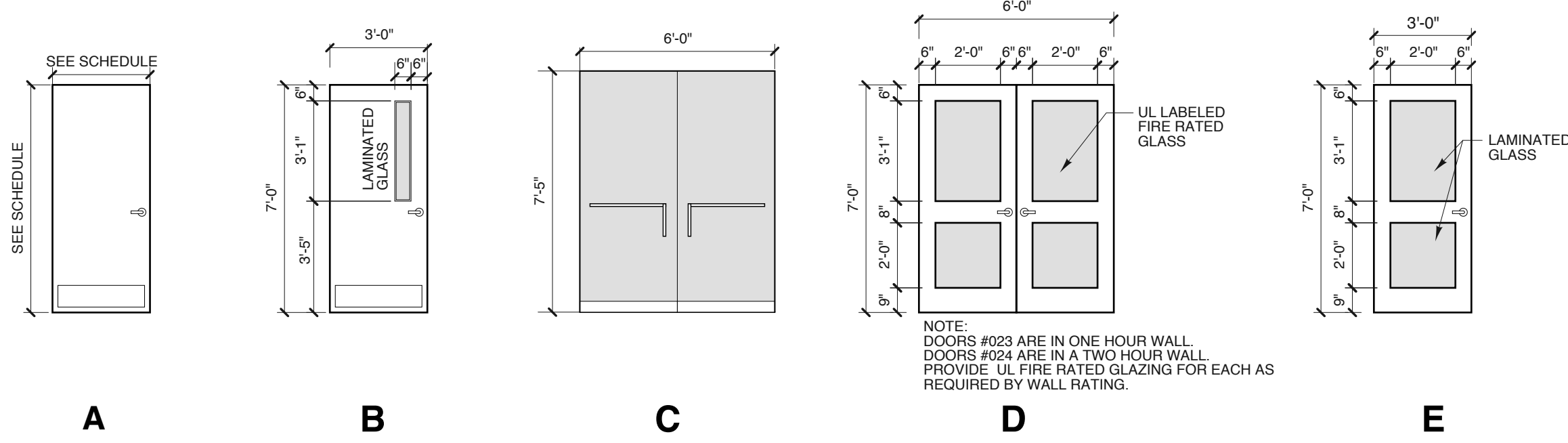
F2
Hollow Metal

F3
Hollow Metal

F4
Hollow Metal

3
A3.1 **FRAMES TYPES**

SCALE: 1/4" = 1'-0"



A

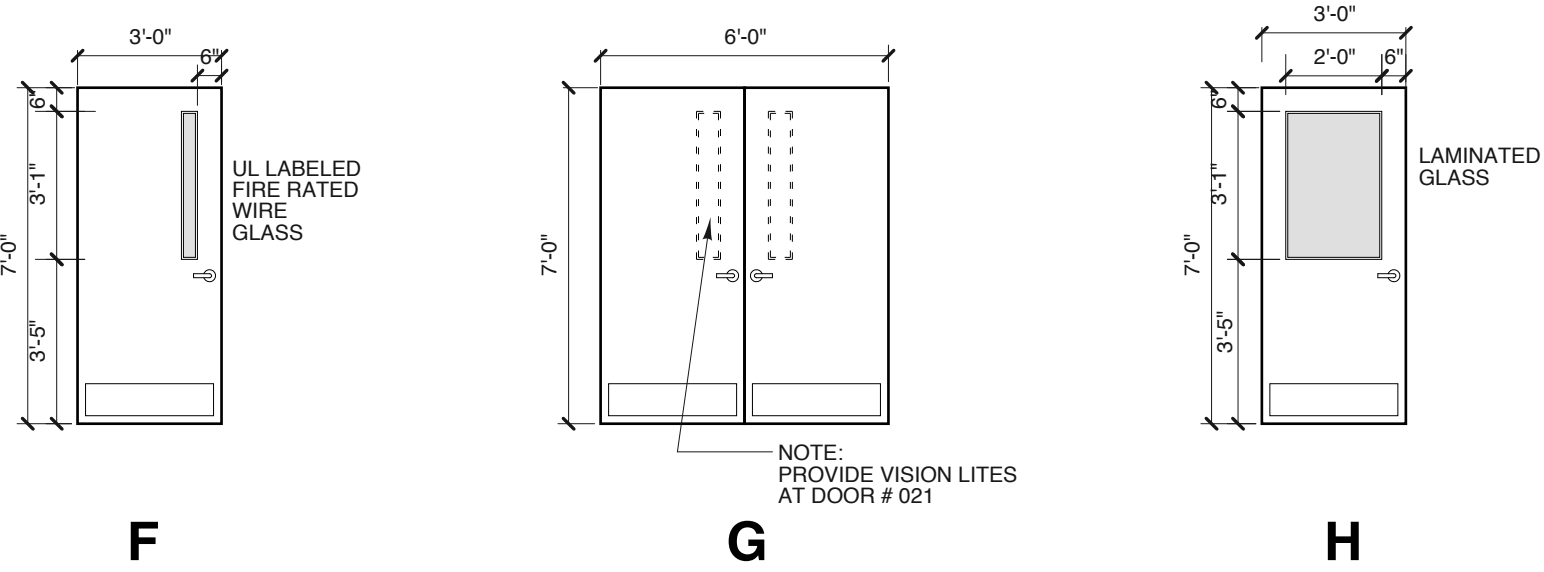
B

C

D

E

NOTE:
DOORS #023 ARE IN ONE HOUR WALL.
DOORS #024 ARE IN A TWO HOUR WALL.
PROVIDE UL LABEL FIRE RATED GLAZING FOR EACH AS
REQUIRED BY WALL RATING.



F

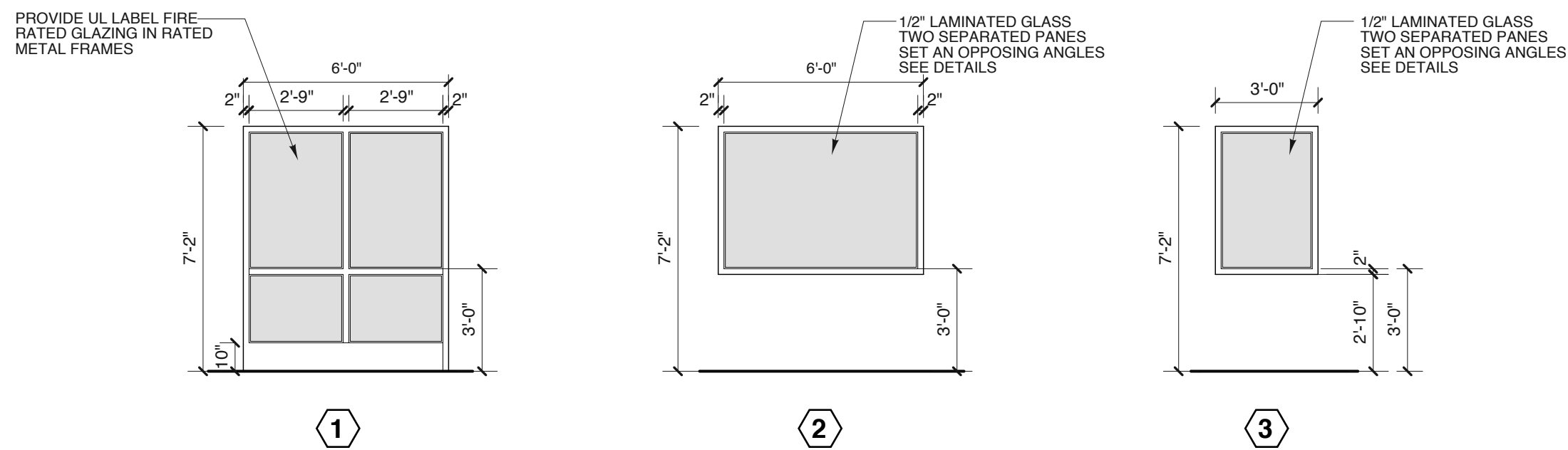
G

H

NOTE:
PROVIDE VISION LITES
AT DOOR # 021

4
A3.1 **DOOR TYPES**

SCALE: 1/4" = 1'-0"



1

2

3

5
A3.1 **INTERIOR WINDOW TYPES**

SCALE: 1/4" = 1'-0"

DOOR No.	LOCATION	From	To	DOOR			FRAME			SIDELITE			HARDWARE		COMMENTS
				Size	Type	Material	Finish	Type	Material	Size	Material	Group	Function		
LOWER LEVEL DOORS															
001	VESTIBULE 008		NEW STAIR 001	3'-0" X 7'-0"	E	HM	PTD	F4	HM	3'-0"	HM				PASSAGE SET
002	CLASSROOM 007		VESTIBULE 008	3'-0" X 7'-0"	E	HM	PTD	F4*	HM	3'-0"	HM				EXIT DEVICE
003	VESTIBULE 008		PERF / RECORDING 004	3'-0" X 7'-0"	E	HM	PTD	F4	HM	3'-0"	HM				CLASSROOM LOCKSET
004	STORAGE 007A		CLASSROOM 007	3'-0" X 7'-0"	A	HM	PTD	F1	HM	NA	NA				STOREROOM LOCKSET
005	ELEVATOR LOBBY 014		REC. CONTROL RM. 003	3'-0" X 7'-0"	E	HM	PTD	F4	HM	2'-0"	HM				CLASSROOM LOCKSET
006	ISO BOOTH		REC. CONTROL RM. 003	3'-0" X 7'-0"	H	HM	PTD	F1	HM	NA	NA				PASSAGE SET
007	PERF. / RECORDING 004		STORAGE 004A	3'-0" X 7'-0"	A	HM	PTD	F1	HM	NA	NA				STOREROOM LOCKSET
008	SPRINKLER 006		UNUSED 005	3'-0" X 7'-0"	A	HM	PTD	F1	HM	NA	NA				STOREROOM LOCKSET
009	PRACTICE 012		HALLWAY 013	3'-0" X 7'-0"	B	HM	PTD	F1	HM	NA	NA				CLASSROOM LOCKSET
010	PRACTICE 011		HALLWAY 013	3'-0" X 7'-0"	B	HM	PTD	F1	HM	NA	NA				CLASSROOM LOCKSET
011	PRACTICE 010		HALLWAY 013	3'-0" X 7'-0"	B	HM	PTD	F1	HM	NA	NA				CLASSROOM LOCKSET
012	COMPUTER LAB 009		HALLWAY 013	3'-0" X 7'-0"	E	HM	PTD	F4	HM	NA	NA				CLASSROOM LOCKSET
013	STORAGE 001A		NEW STAIR 001	3'-0" X 7'-0"	A	HM	PTD	F1	HM	NA	NA				STOREROOM LOCKSET
014	HALLWAY 015		FUTURE PHOTO DEPT. 017	3'-0" X 7'-0"	A	HM	PTD	F1	HM	NA	NA				STOREROOM LOCKSET
015	HALLWAY 013		EXIST. STAIR #1	3'-0" X 7'-0"	F	HM	PTD	F1	HM	NA	NA				FIRE RATED EXIT DEVICE
016	HALLWAY 015		RESTROOM 023	3'-0" X 7'-0"	A	HM	PTD	F1	HM	NA	NA				PUSH - PULL SET
017	HALLWAY 015		UTILITY 022	3'-0" X 7'-0"	A	HM	PTD	F1	HM	NA	NA				STOREROOM LOCKSET
018	HALLWAY 016		EXIST. STORAGE 018	6'-0" X 7'-0"	G	HM	PTD	F2	HM	NA	NA				STOREROOM LOCKSET
019	HALLWAY 016		EXIST. STORAGE 018	6'-0" X 7'-0"	G	HM	PTD	F2	HM	NA	NA				STOREROOM LOCKSET
020	HALLWAY 016		EXIST. STAIR #2	3'-0" X 7'-0"	F	HM	PTD	F1	HM	NA	NA				FIRE RATED EXIT DEVICE
021	PHOTO STUDIO 024		ELEVATOR LOBBY 014	6'-0" X 7'-0"	G	HM	PTD	F2	HM	NA	NA				CLASSROOM LOCKSET
022	FIRE ALARM 031		ELEVATOR LOBBY 014	3'-0" X 7'-0"	A	HM	PTD	F1	HM	NA	NA				STOREROOM LOCKSET
023	CREWE GALLERY 025		ELEVATOR LOBBY 014	6'-0" X 7'-0"	D	SCWD	Clear	F2	HM	NA	NA				FIRE RATED EXIT DEVICE
024	CREWE GALLERY 025		EXIST. STAIR #3	6'-0" X 7'-0"	D	SCWD	Clear	F3	HM	1'-8"					FIRE RATED EXIT DEVICE
025	CREWE GALLERY 025		UNUSED 026	3'-0" X 7'-0"	A	HM	PTD	F1	HM	NA	NA				STOREROOM LOCKSET
026	PUMP RM 030		CREWE GALLERY 025	3'-0" X 7'-0"	A	HM	PTD	F1	HM	NA	NA				STOREROOM LOCKSET
027	GALLERY LOBBY 002		UNUSED 005	3'-0" X 7'-0"	A	HM	PTD	F1	HM	NA	NA				STOREROOM LOCKSET
028	CREWE GALLERY 025		GALLERY STORAGE 026	3'-6" X 7'-0"	A	HM	PTD	F1	HM	NA	NA				STOREROOM LOCKSET
FIRST FLOOR DOORS															
101	NEW STAIR 001		MAIN LOBBY	6'-0" X 7'-5"	C	GL	NA	SEE DET.	STL	NA	NA				PUSH - PULL SET

2
A3.1 **DOOR SCHEDULE**

NO SCALE

NOTE:
PROVIDE DOOR CLOSERS FOR
ALL EGRESS DOORS AND DOORS
TO/FROM HALLWAYS, LOBBIES,
AND VESTIBULES.

RR A
Richard Renner Architects

133 South Main Street
Sharon, MA 01770
508.651.2385
207.773.9699
508.651.0911 fax

LICENSED ARCHITECT
CHARLES J. RENNER
4118
STATE OF MAINE

PERMIT SUBMITTAL
AUGUST 07, 2014

MAINE COLLEGE OF ART
Lower Level Renovations

PHASE I

522 Congress Street
Portland, Maine

**Door and Finish Schedules,
Door and Frame types**

Drawn by: CNY File Name:
Scale: AS SHOWN Project No. 2014-01.00
Date: 08.07.14 Revised:

MECA
LOWER LEVEL
Renovations

A3.1