



Neokraft
SIGN S

Neokraft Signs Inc.
686 Main Street
Lewiston, Maine 04240
Telephone: 207.782.9654
Facsimile: 207.782.0009
1.800.339.2258
<http://www.neokraft.com>

Custom Sign Fabrication

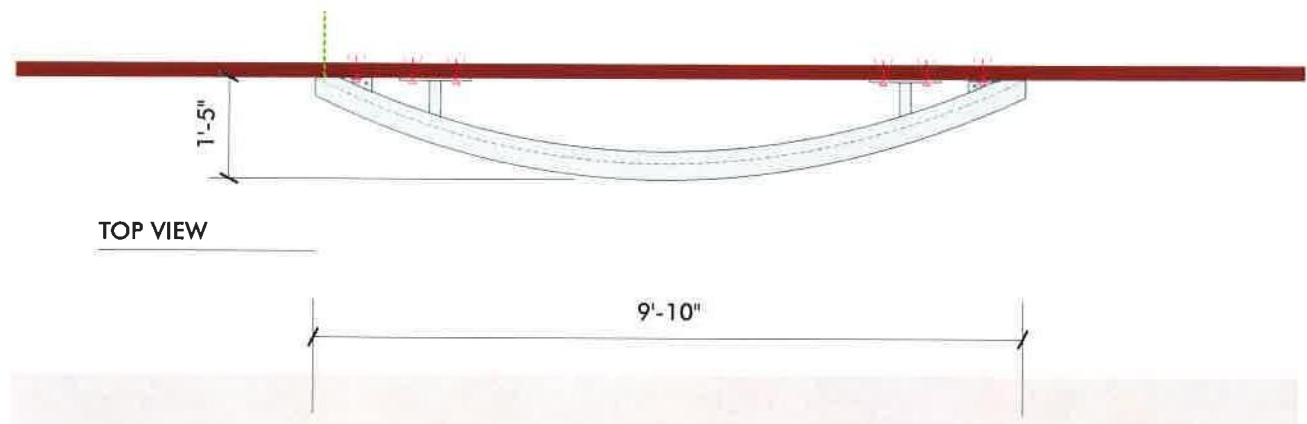
These plans are the exclusive property of Neokraft Signs, Inc. and are the result of the original work of its employees. They are submitted to Neokraft's client for the sole purpose of consideration of whether to purchase these plans or to purchase from Neokraft a sign manufactured according to these plans.

Distribution or exhibition of these plans to anyone other than employees of said client, or use of these plans to construct a sign similar to the one embodied herein, is expressly forbidden. In the event that such exhibition or construction occurs, Neokraft expects to be reimbursed \$1500 in compensation for time and effort entailed in creating these plans.

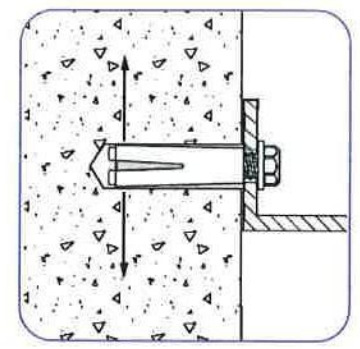
Diversified Communications
18865

PERMIT

Location: 121 Free Street
Portland, Maine
Drawing No.: 1 of 1
Drawn by: BK Rep.: RM
Date: 10.28.2014
Lead No.: ML021785
Gen Ref.:



TOP VIEW



LOK-BOLT™ ANCHORING SYSTEM AS MFG BY POWERS FASTENERS, NEW ROCHELLE, NY OR EQUAL:

A PRE-ASSEMBLED SINGLE UNIT SLEEVE ANCHOR FOR ANCHORING INTO SOLID AND HOLLOW CONCRETE AND MASONRY SUBSTRATES

PATENTED COMPRESSION RING PULLS FIXTURE FLUSH TO THE WORK SURFACE

AVAILABLE IN CARBON STEEL AND TYPE 304 STAINLESS STEEL; SEVERAL HEAD STYLES

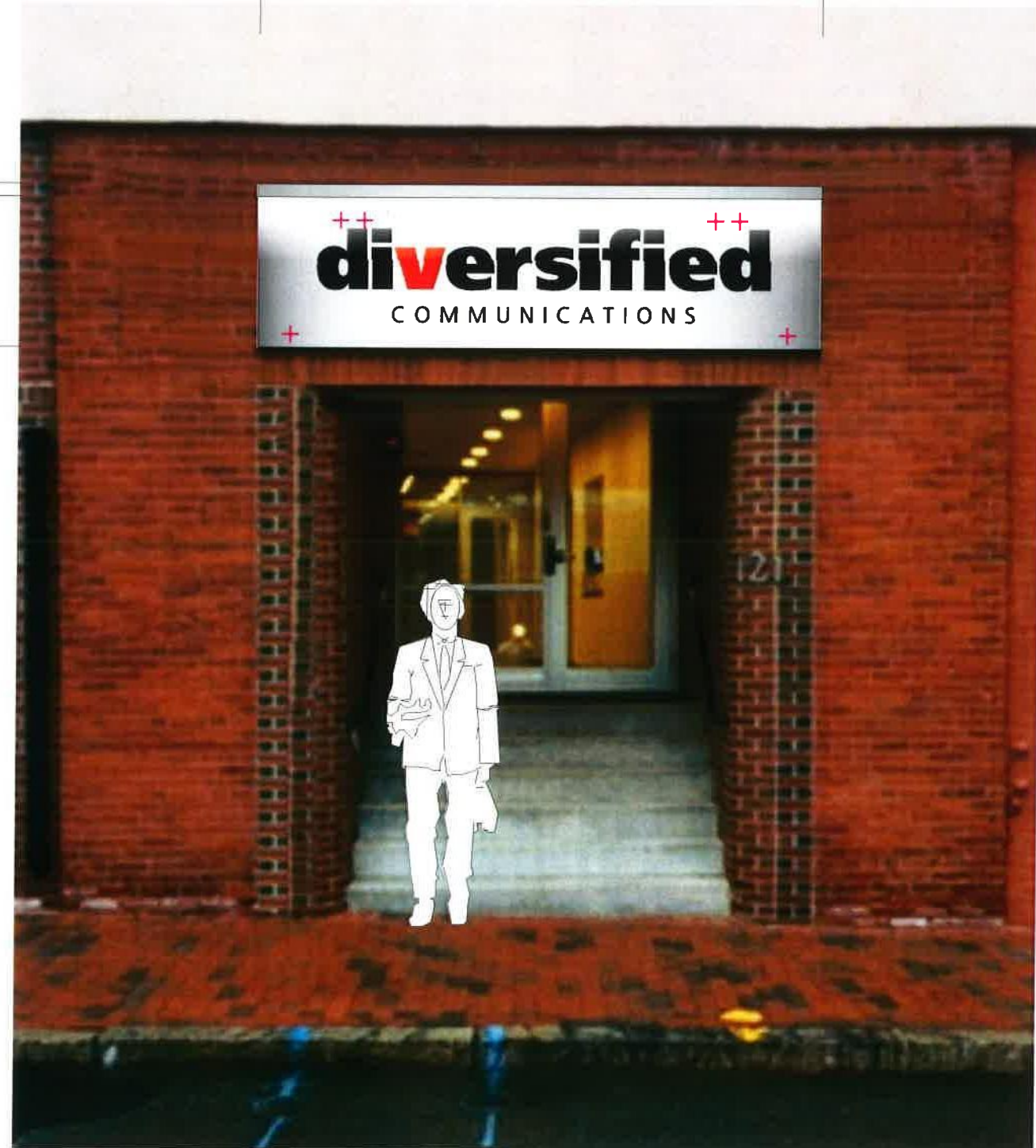
SIZE RANGE: 1/4" DIA. x 5/8" TO 3/4" DIA. x 7 1/2"

SLEEVE-ANCHOR MOUNTING DETAIL
NOT TO SCALE

FABRICATED ALUMINUM RADIUS SIGN WITH LIGHT BAR AT TOP FOR WHITE 'LED' DOWN-LIGHTING, PAINTED SILVER METALLIC, ELECTRICAL FEED TO SIGN LOCATION BY CUSTOMER

MOUNTED TO WALL WITH WELDED BRACKETS/PLATES AT TOP, HIDDEN CLIPS AT BOTTOM, HARDWARE AS NEEDED,

(6) MOUNTING BOLTS

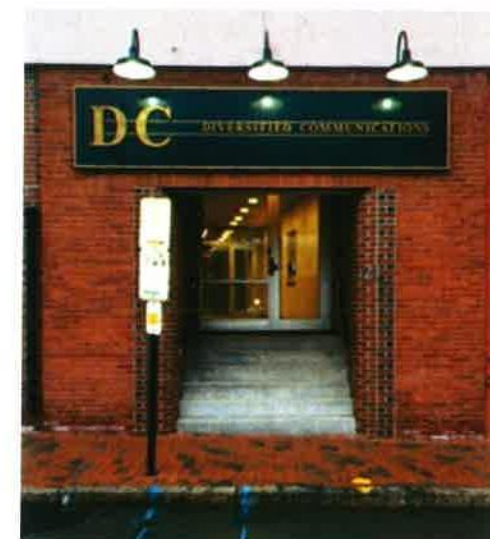


EXTERNALLY-ILLUMINATED WALL SIGN

28 SQ FT

SCALE: 3/8"=1'-0"

(1) REQUIRED



EXISTING SIGN - TO BE REMOVED BY 'NK'
LIGHTS TO BE REMOVED BY CUSTOMER



END VIEW