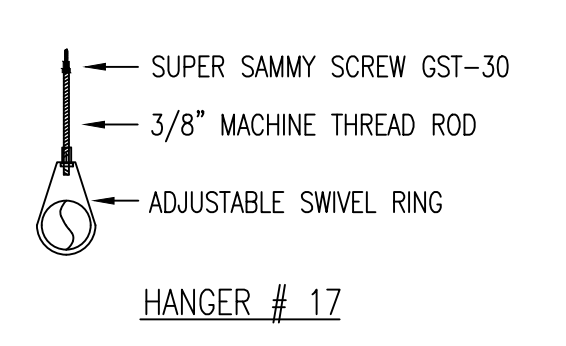


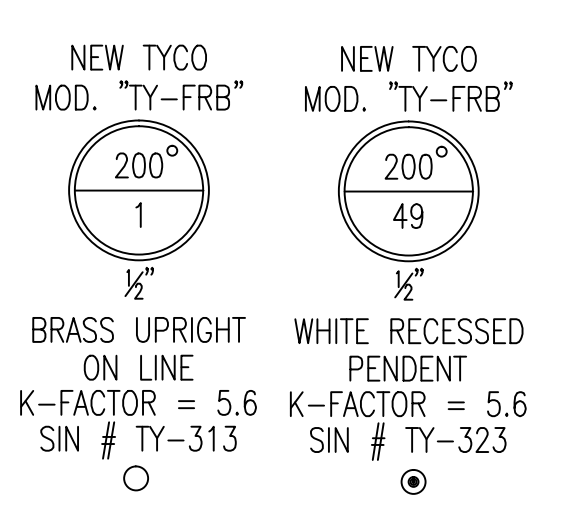
**SPRINKLER HEAD DETAILS**  
NOT TO SCALE



**HANGER # 17**  
NOT TO SCALE

ALL HANGERS TO BE PROVIDED AND INSTALLED AS PER NFPA # 13  
3/8" ROD FOR 1" TO 4" PIPE

NOTE: HANGERS TO BE PROVIDED AND INSTALLED AS PER NFPA # 13



**FIRE SPRINKLER PLAN - SECOND FLOOR**

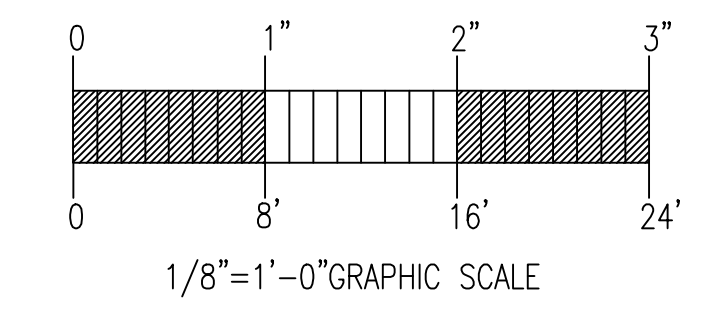
SCALE: 1/8"=1'-0"  
AREA PROTECTED: 6,400 SQ.FT.  
FINISH FLOOR ELEVATION : SECOND FLOOR  
COLOR CODE: RED

NOTE: AREA PROTECTED AND HEAD COUNT FOR DIVERSIFIED COMMUNICATION SECOND FLOOR SPACE ONLY TO LIMIT OF WORK LINE.

NOTE: HEADS TO BE CUT BACK FOR A 9'-4" ACT. CEILING TO BE INSTALLED TO MATCH SPRINKLER HEAD PER GC.

NOTE: HEADS DEPICTED ON PLAN (NEW & RELOCATED) ARE FOR AREAS THAT REQUIRE HEAD INSTALLATION TO ACCOMMODATE NEW FLOOR PLAN. EXISTING HEADS TO REMAIN AS IS ARE NOT SHOWN.

NOTE: NOT ALL SPRINKLER PIPE DEPICTED IN PLAN. ABOVE CEILING PROTECTION TO REMAIN AS IS.



GENERAL NOTES	DATE	REVISIONS	REQUIRED APPROVALS	DIVERSIFIED COMMUNICATION WELLNESS CENTER 121 FREE ST. PORTLAND	FIRE SPRINKLER PLANS & DETAILS
SPRINKLER SYSTEM RENOVATION TO COMPLY WITH NFPA PAMPHLET # 13 (2013)			OWNER / ARCHITECT STATE FIRE MARSHAL PORTLAND FIRE DEPARTMENT	 <b>EASTERN FIRE PROTECTION</b> AUBURN/LEWISTON INDUSTRIAL AIRPARK, AUBURN, MAINE 04210	DWG. NO. 2 OF 2
NEW BRANCH LINE PIPING TO BE BLACK SCHEDULE # 40 JOINED BY THREADED DUCTILE IRON FITTINGS			DRAWN BY RJP NICET LEVEL CERT.#		JOB NUMBER AU-5118-13
NEW MAIN PIPING TO BE SCHEDULE # 10 BLACK WITH GROOVED ENDS & WELDED OUTLETS JOINED BY MECHANICAL COUPLINGS			CHECKED BY WAF NICET LEVEL III CERT.# 095574	SCALE AS NOTED	DATE 1/13/2014
OWNER TO PROVIDE SUFFICIENT HEAT THROUGHOUT BUILDING TO PREVENT FREEZING OF WATER FILLED SPRINKLER PIPING AND EQUIPMENT. ( 40' F )			CONTRACTOR LICENSE # 101 CONTRACTOR RMS # 368		