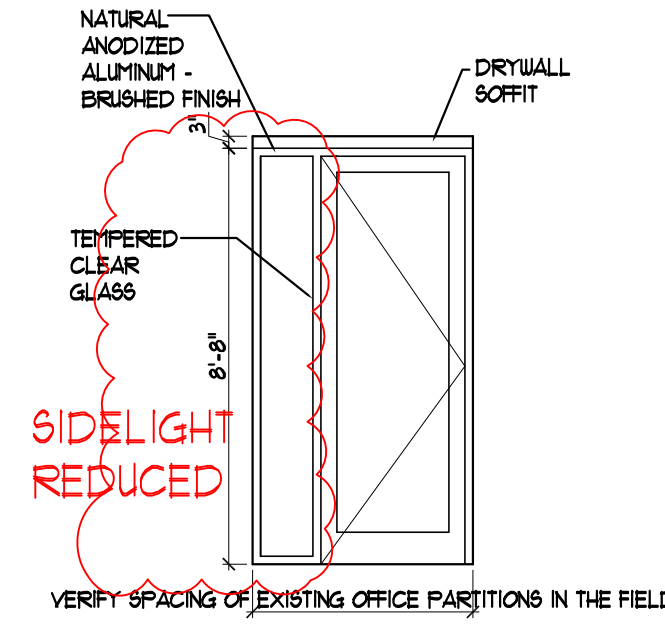
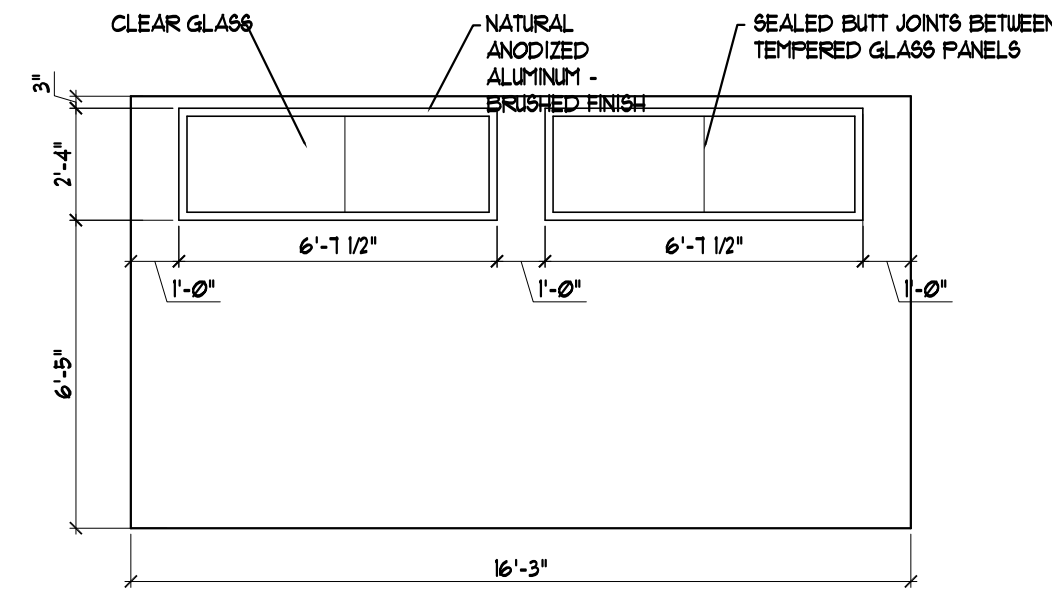


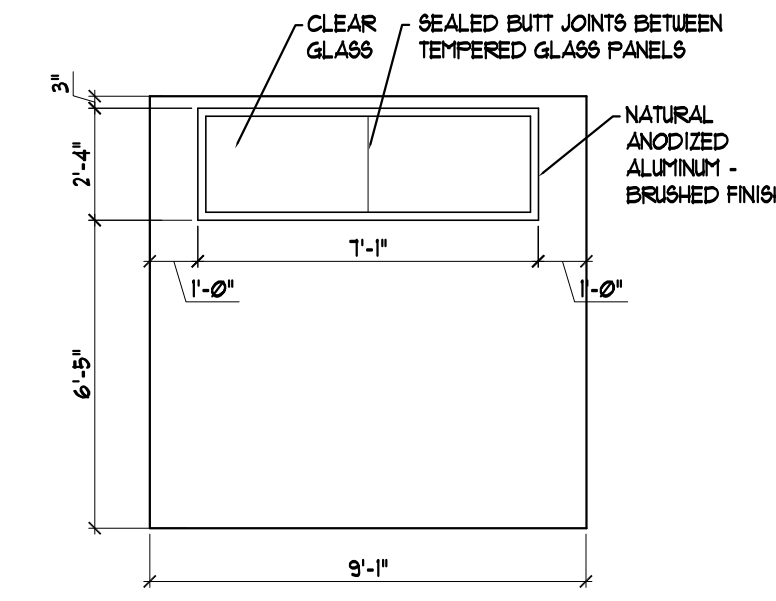
32 STOREFRONT ELEVATION
SCALE: 1/4" = 1'-0"



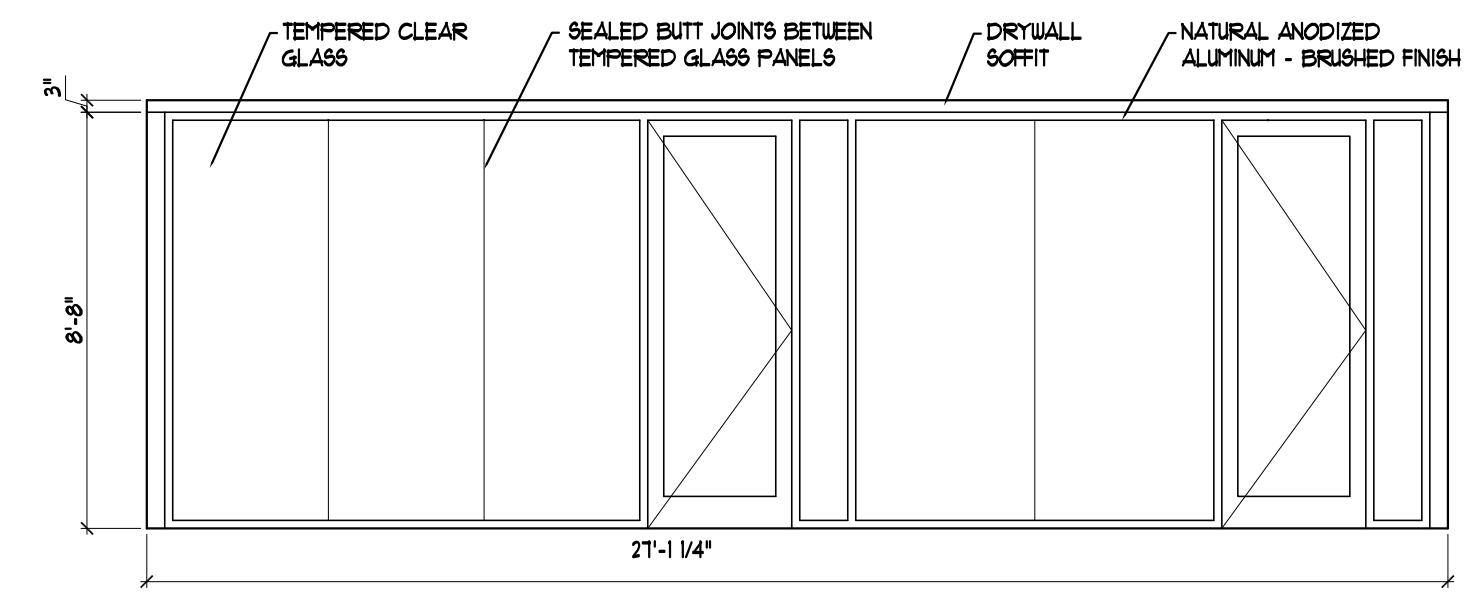
33 STOREFRONT ELEVATION
SCALE: 1/4" = 1'-0"



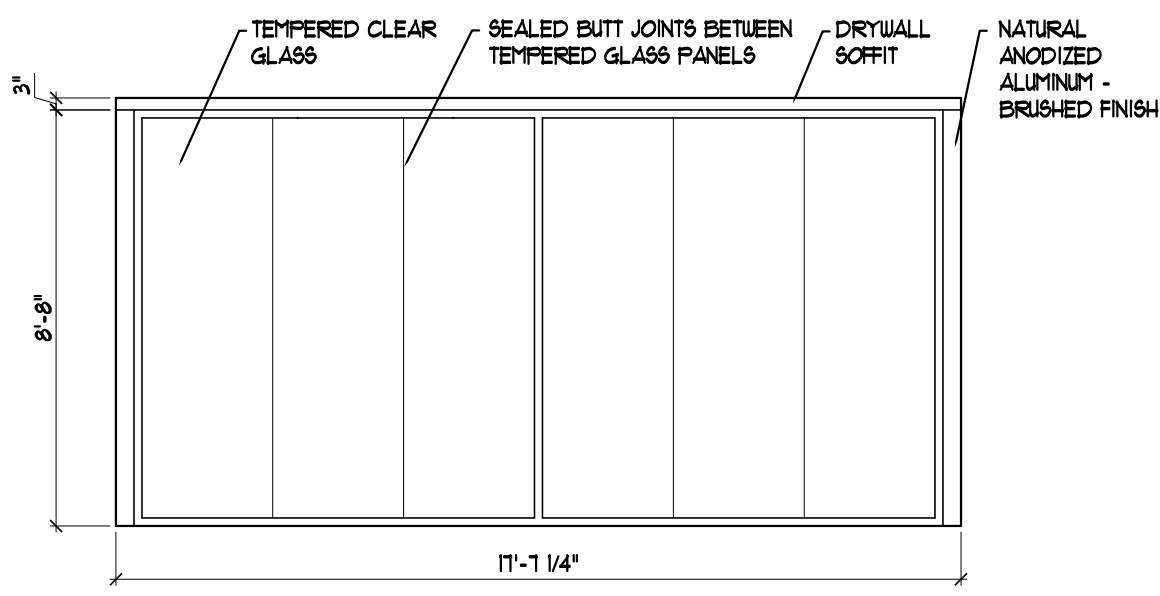
34 STOREFRONT ELEVATION
SCALE: 1/4" = 1'-0"



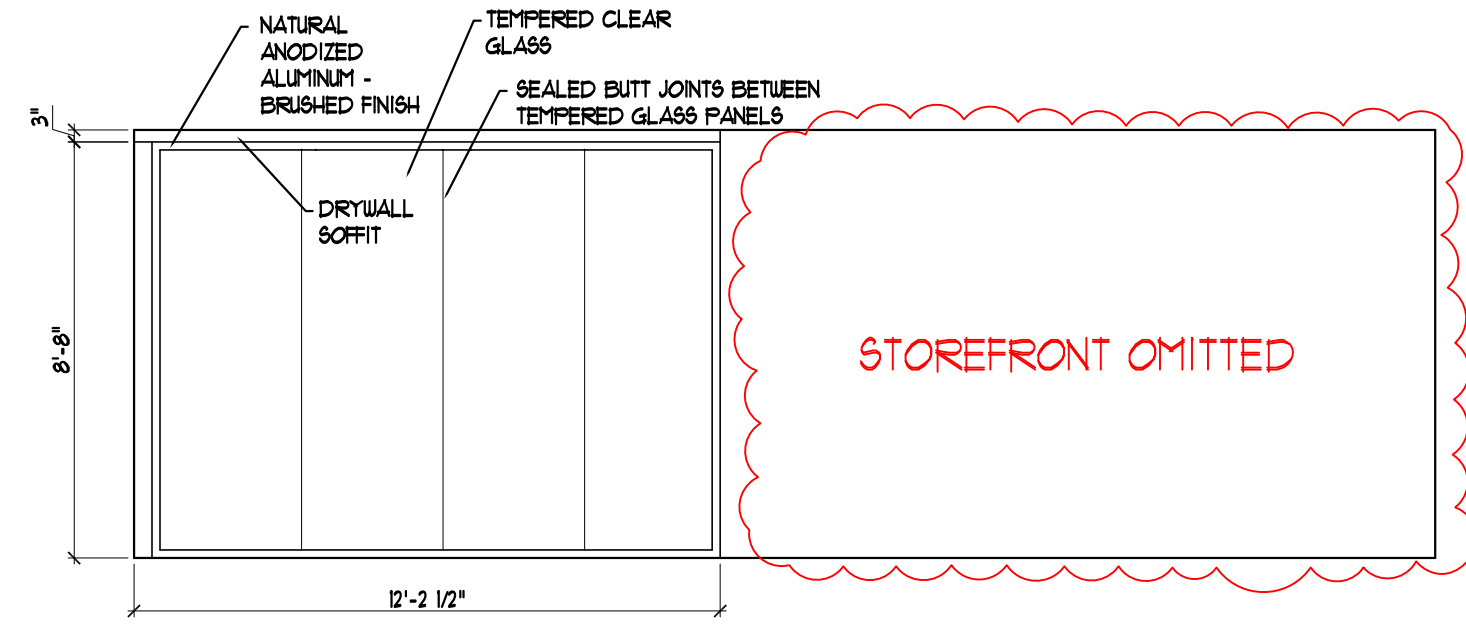
35 STOREFRONT ELEVATION
SCALE: 1/4" = 1'-0"



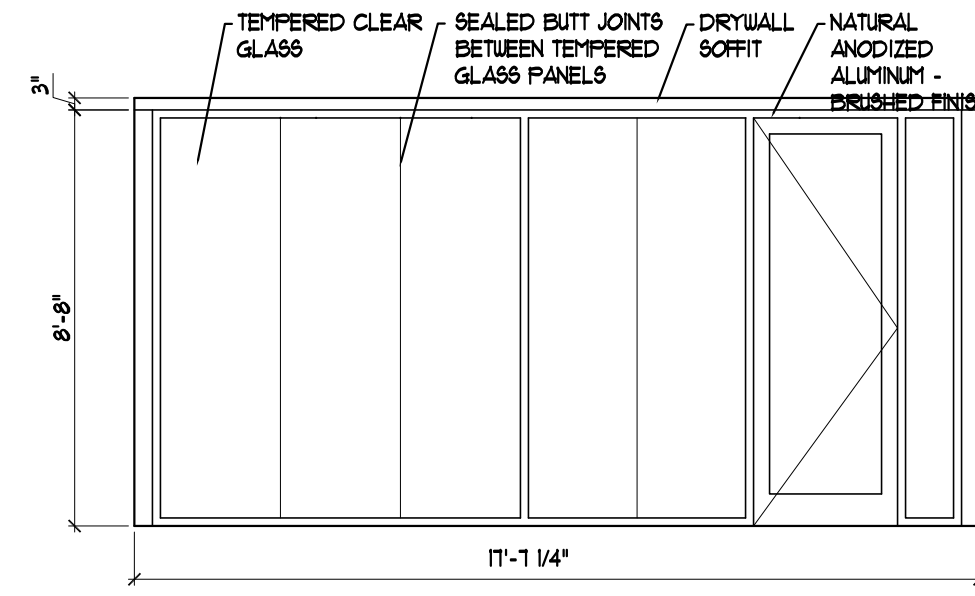
36 STOREFRONT ELEVATION
SCALE: 1/4" = 1'-0"



37 STOREFRONT ELEVATION
SCALE: 1/4" = 1'-0"



38 STOREFRONT ELEVATION
SCALE: 1/4" = 1'-0"



39 STOREFRONT ELEVATION
SCALE: 1/4" = 1'-0"



Architect:
ARCHETYPE architects
48 Union Wharf Portland, Maine 04101
(207) 772-6022 Fax (207) 772-4056

Project:
DIVERSIFIED COMMUNICATIONS
PORTLAND, MAINE 04101

Revisions:

Date: 4 December 2012
Scale: AS NOTED
5TH FLOOR
STOREFRONT ELEVATIONS

A9