



ENGINEERING DESIGN PROFESSIONALS
Consulting Engineers

P.O. Box 575, Freeport, Maine 04032 (207) 865-9505

Ms. Monica Dominak
Falmouth Road
Falmouth, Maine

RE: Window Wall Support
Spinnaker Trust Co.
123 Free Street, Portland, Maine

Dear Monica:

As requested I have reviewed the sketches you provided (SKa-2 & SKa-2a) and with the items noted below added to the sketches, the construction will meet or exceed the building code requirements. Please accept this letter as my confirmation of approval.

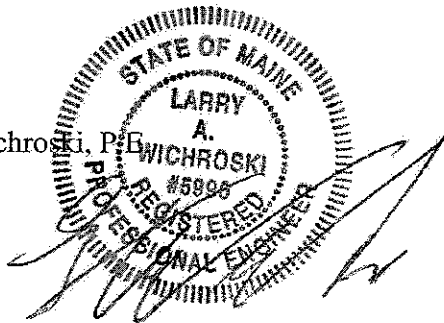
Items needed to be added the sketches;

1. Indicate a continuous 3 5/8" x 18 gauge track with (2) #10 screws @ 16" o.c. to the existing structure at the top of the wall.
2. Indicate a continuous 3 5/8" x 18 gauge track at the bottom of the wall studs above the wood plate. Note that the wood plate is attached to the track with (2) #10 screws @ 12" o.c.
3. Indicate that (3) #10 screws shall be used at each end of each diagonal brace for connections.
4. Add a dimension indicating that the bottom of the braces are located 3" above the ceiling.

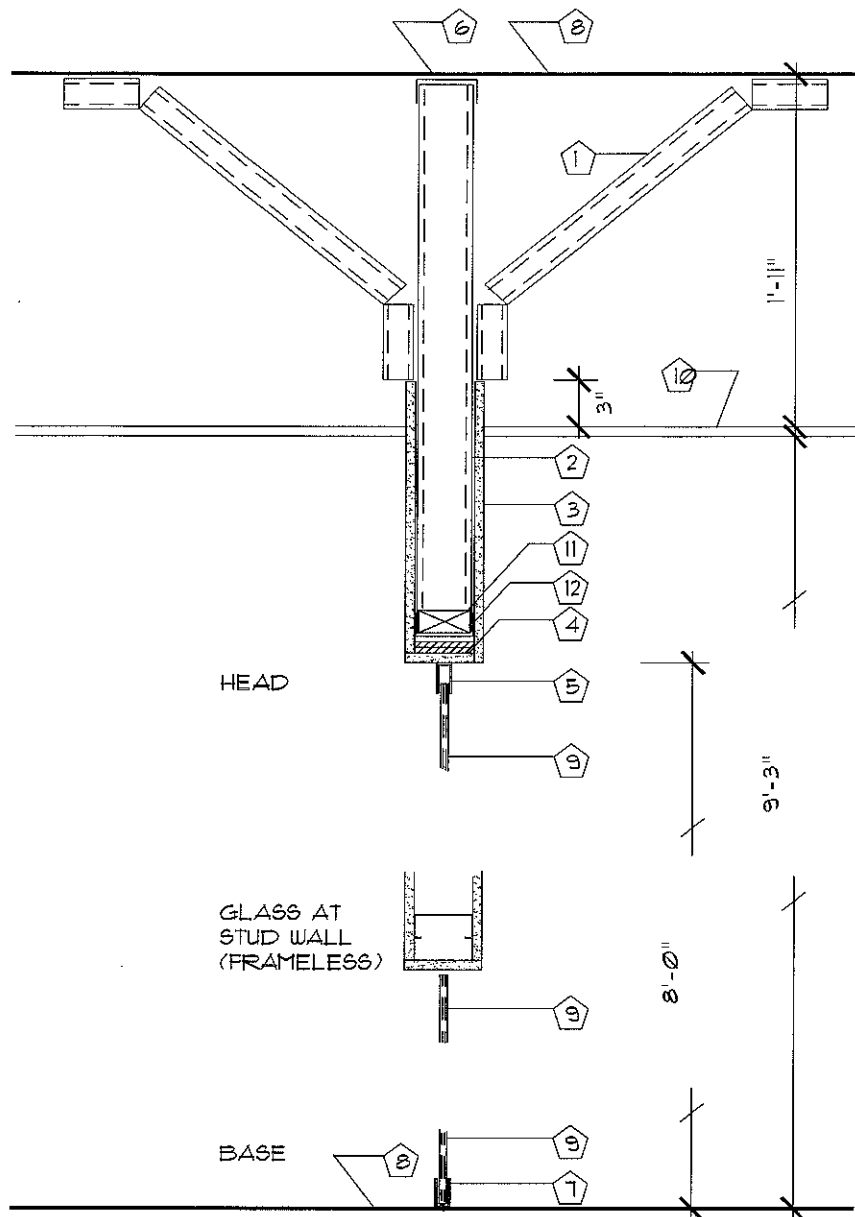
Thank you for this opportunity to be of assistance. Please let me know if you have additional questions.

Sincerely;

Larry A. Wichroski, P.E.



Engineering Design Professionals



KEYED NOTES:

① 20 GA., 3 5/8" LIGHTGAGE STEEL BRACING @ 24" O.C. (TYP.) SECURE EA. END W/(3) #10 SCREWS.

② 20 GA., 3 5/8" LIGHTGAGE STEEL STUD WALL @ 16" O.C..

③ 5/8" G.B. EA. SIDE

④ 3/4" CDX PLYWOOD - CONT..

⑤ METAL FRAME.

⑥ 18 GA., 3 5/8" TRACK (CONTINUOUS) W/(2) #10 SCREWS @ 16" O.C.

⑦ METAL BASE TRACK

⑧ EXISTING FLOOR/CEILING STRUCTURE.

⑨ 1/2" TEMPERED GLASS.

⑩ HUNG ACOUSTIC CEILING.

⑪ 2x4 BETWEEN STUDS.

⑫ 18 GA., 3 5/8" TRACK (CONTINUOUS). SECURE TO PLYWOOD PLATE W/(2) #10 SCREWS @ 12" O.C.

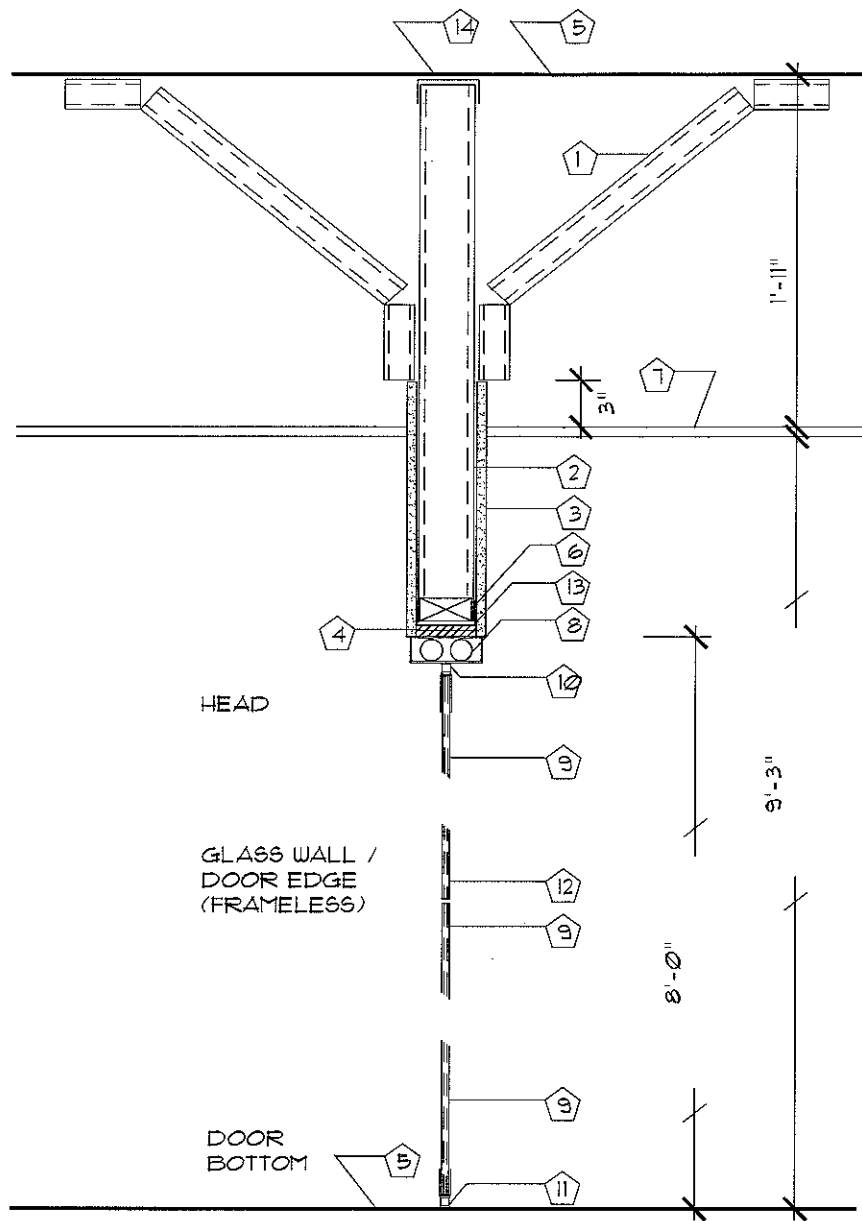
PROJECT:
SPINNAKER TRUST
INTERIOR OFFICE FIT-UP
123 FREE STREET
PORTLAND, MAINE

DRAWING:
STRUCTURAL SUPPORT:
FRAMELESS GLASS WALL

DATE:
9/26/11
SCALE:
1 1/2" = 1'-0"

DESIGN PROFESSIONAL:
M DESIGNS
FALMOUTH, MAINE

SKa-2



KEYED NOTES:

- | | | |
|---|--------------------------------------|---|
| ① 20 GA., 3 ⁵ / ₈ " LIGHTGAGE STEEL BRACING @ 24" O.C. (TYP.). SECURE EA. END W/(3) #10 SCREWS. | ⑥ 2x4 BETWEEN STUDS. | ⑪ PIVOT HINGE / PATCH PLATE AT BOTTOM. |
| ② 20 GA., 3 ⁵ / ₈ " LIGHTGAGE STEEL STUD WALL @ 16" O.C.. | ⑦ HUNG ACOUSTIC CEILING. | ⑫ 1/2" TEMPERED GLASS WALL. |
| ③ 3/8" G.B. EA. SIDE | ⑧ OVERHEAD CLOSER | ⑬ 18 GA., 3 ⁵ / ₈ " TRACK (CONTINUOUS). SECURE TO PLYWOOD PLATE W/(2) #10 SCREWS @ 12" O.C. |
| ④ 3/4" CDX PLYWOOD - CONT. | ⑨ 1/2" TEMPERED GLASS DOOR. | ⑭ 18 GA., 3 ⁵ / ₈ " TRACK (CONTINUOUS) W/(2) #10 SCREWS @ 16" O.C. |
| ⑤ EXISTING FLOOR/CEILING STRUCTURE. | ⑩ PIVOT HINGE / PATCH PLATE AT HEAD. | |

PROJECT:
SPINNAKER TRUST
INTERIOR OFFICE FIT-UP
123 FREE STREET
PORTLAND, MAINE

DRAWING:
STRUCTURAL SUPPORT:
FRAMELESS GLASS DOOR

DATE:
9/26/11
SCALE:
1 1/2" = 1'-0"

DESIGN PROFESSIONAL:
M DESIGNS
FALMOUTH, MAINE

SKa-2a