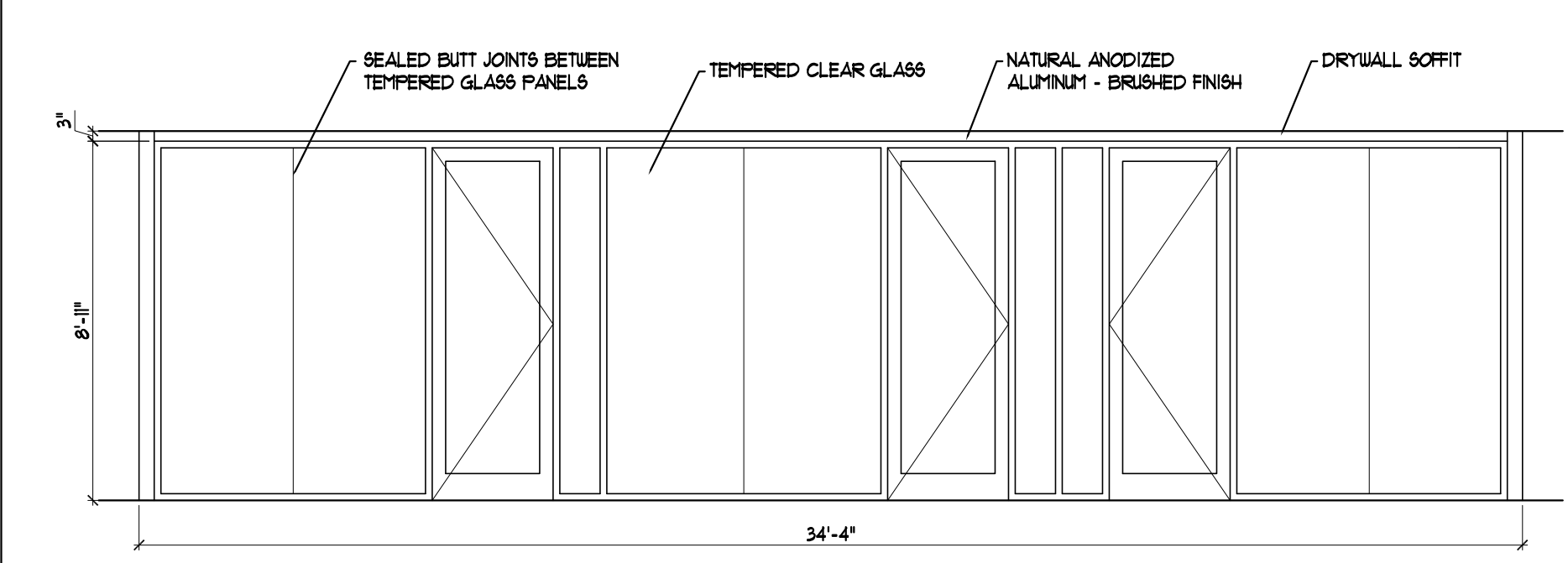
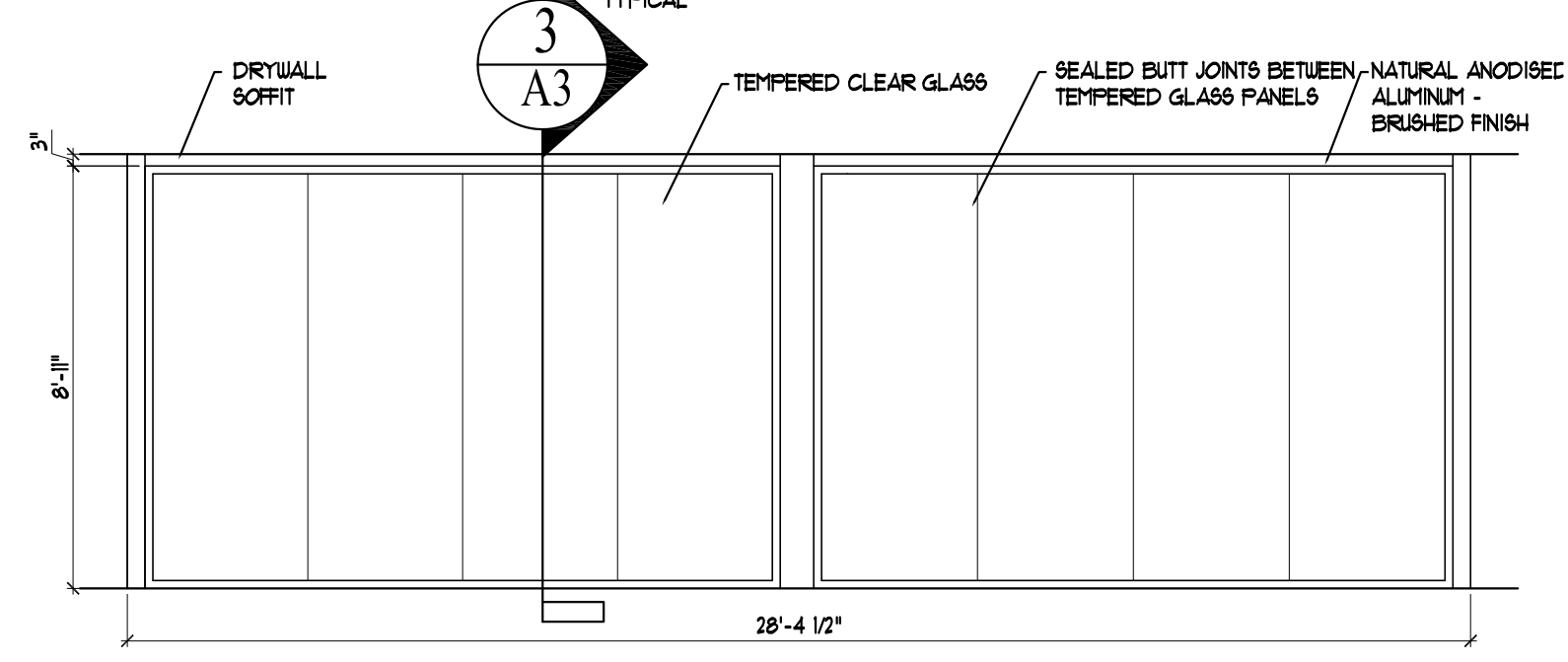


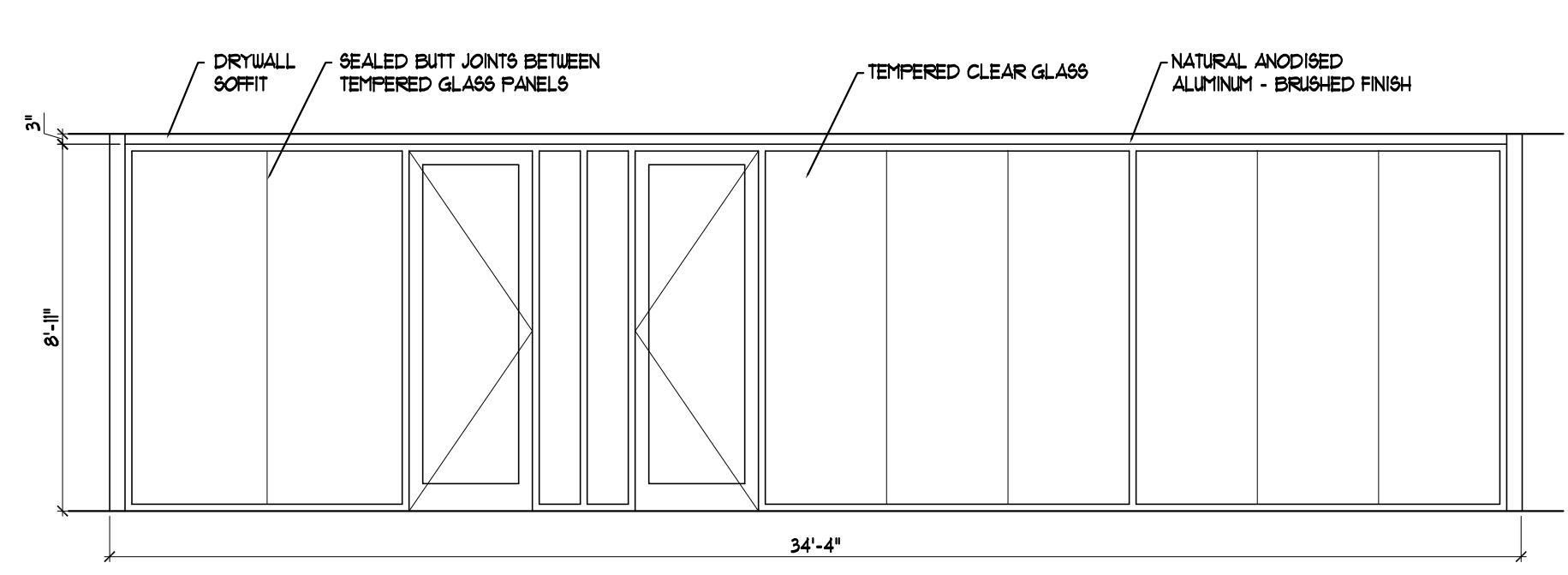
1 STOREFRONT ELEVATION
SCALE: 1/4" = 1'-0"



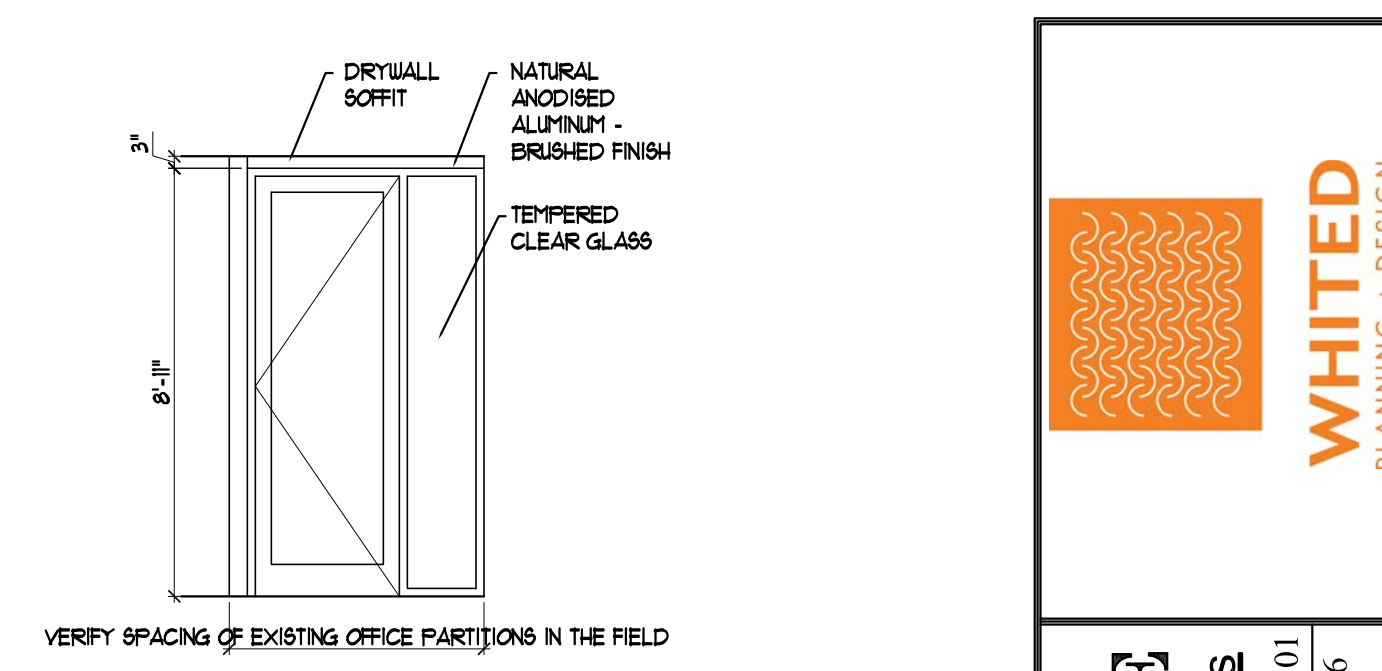
2 STOREFRONT ELEVATION
SCALE: 1/4" = 1'-0"



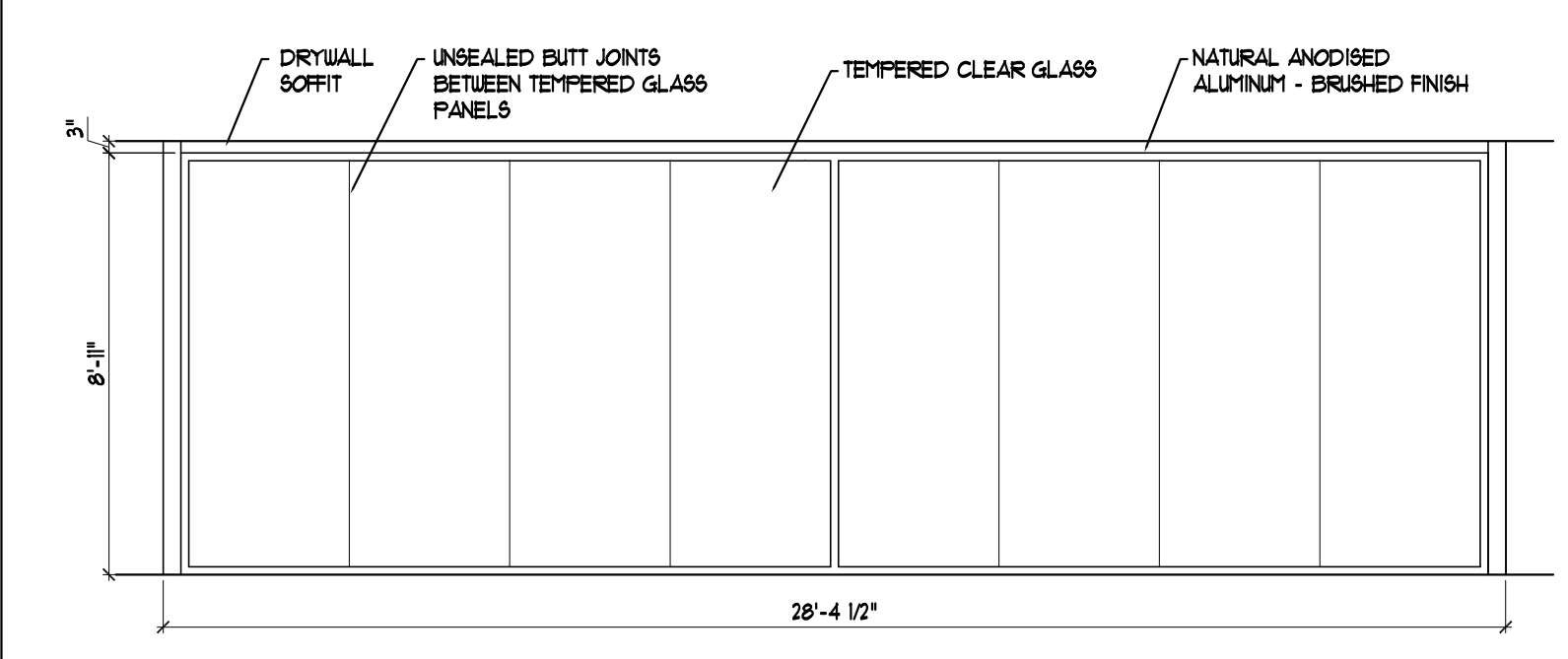
3 STOREFRONT ELEVATION
SCALE: 1/4" = 1'-0"



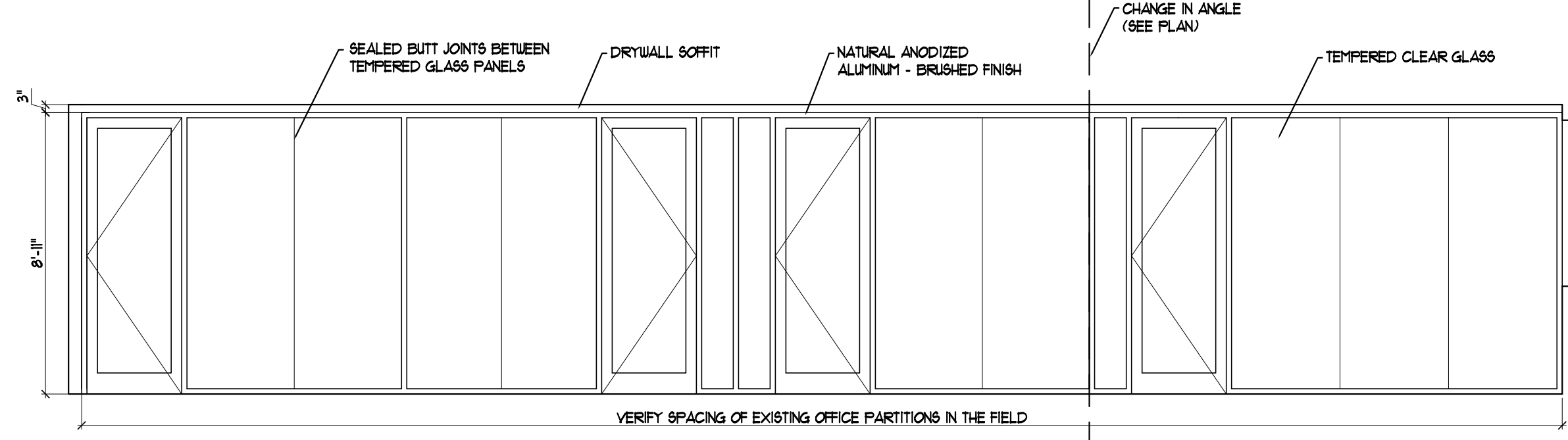
4 STOREFRONT ELEVATION
SCALE: 1/4" = 1'-0"



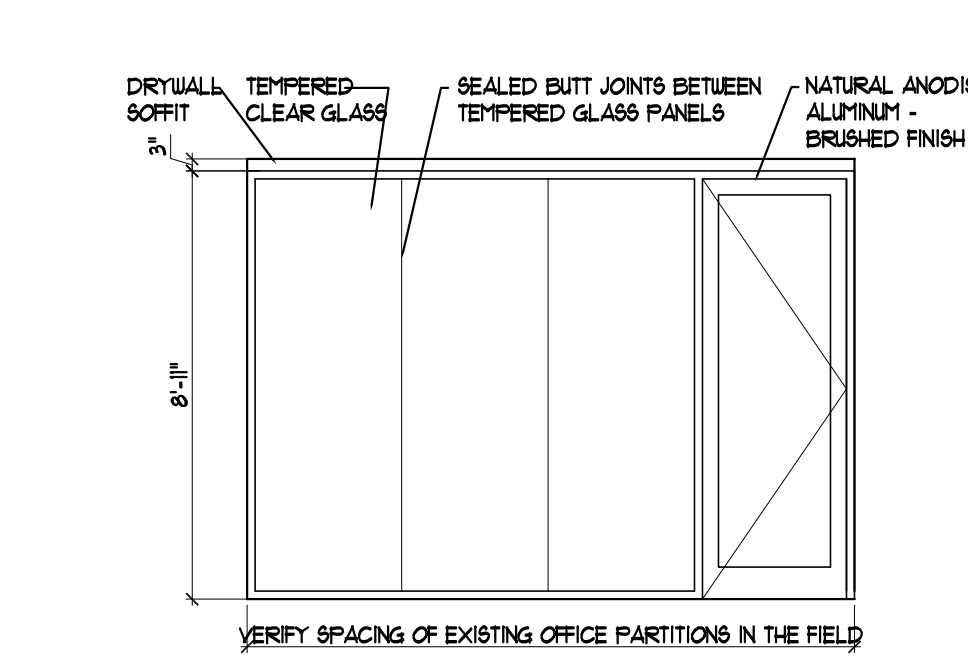
5 STOREFRONT ELEVATION
SCALE: 1/4" = 1'-0"



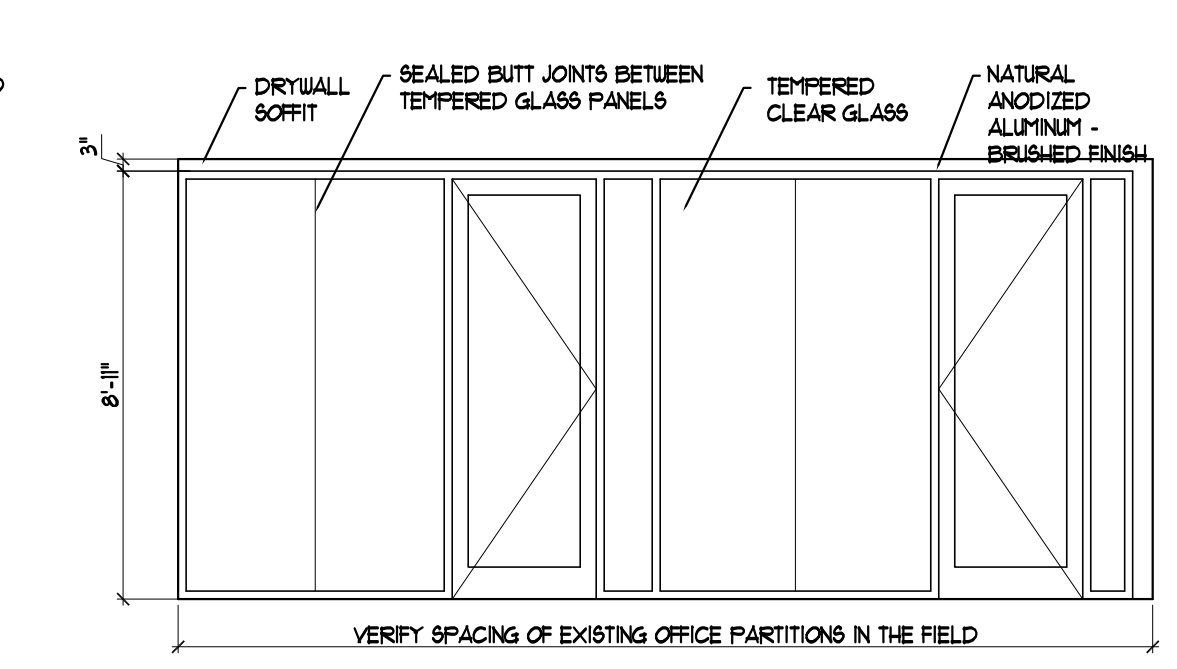
6 STOREFRONT ELEVATION
SCALE: 1/4" = 1'-0"



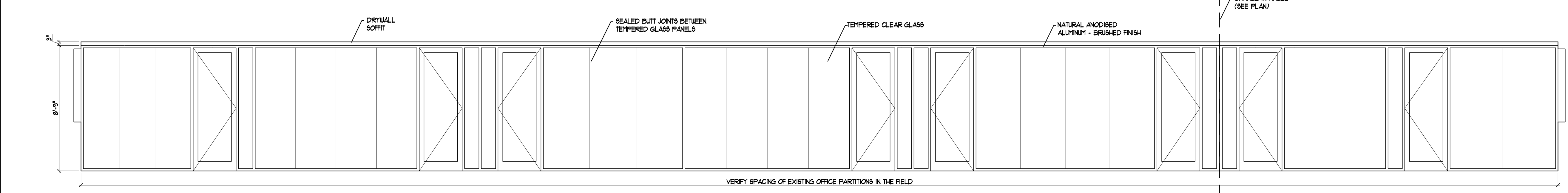
7 STOREFRONT ELEVATION
SCALE: 1/4" = 1'-0"



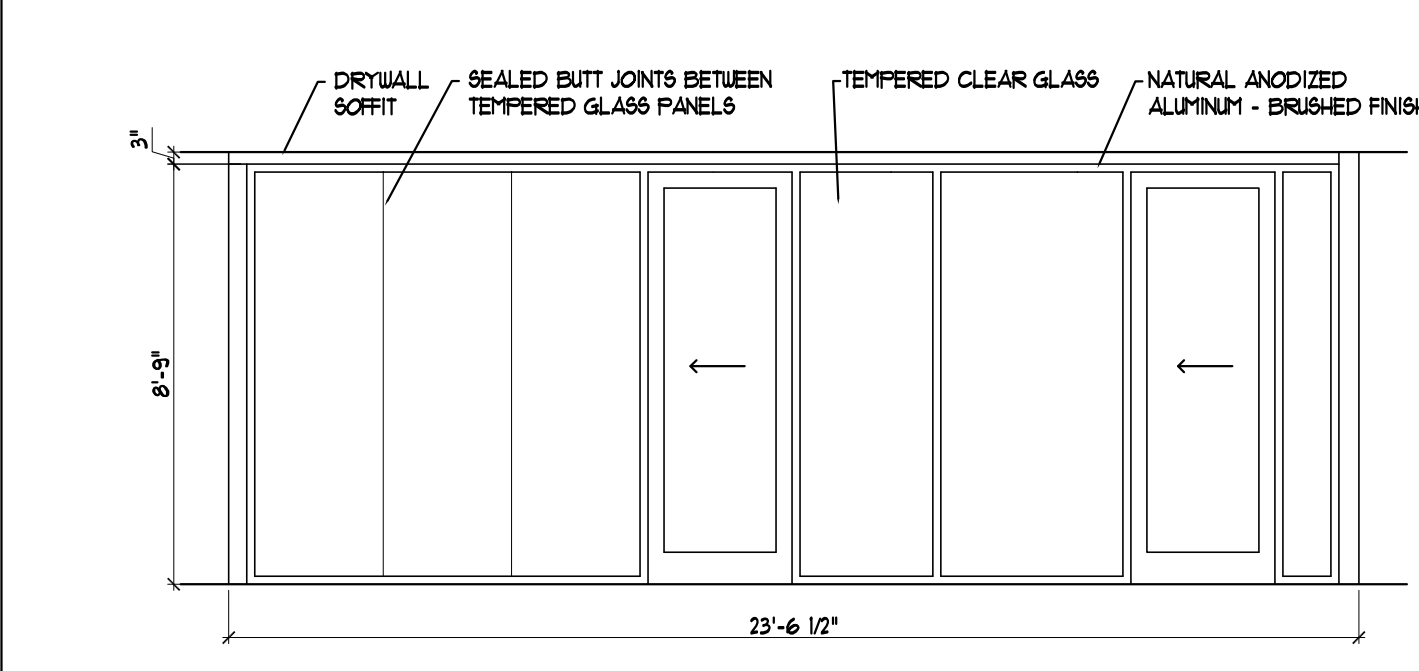
8 STOREFRONT ELEVATION
SCALE: 1/4" = 1'-0"



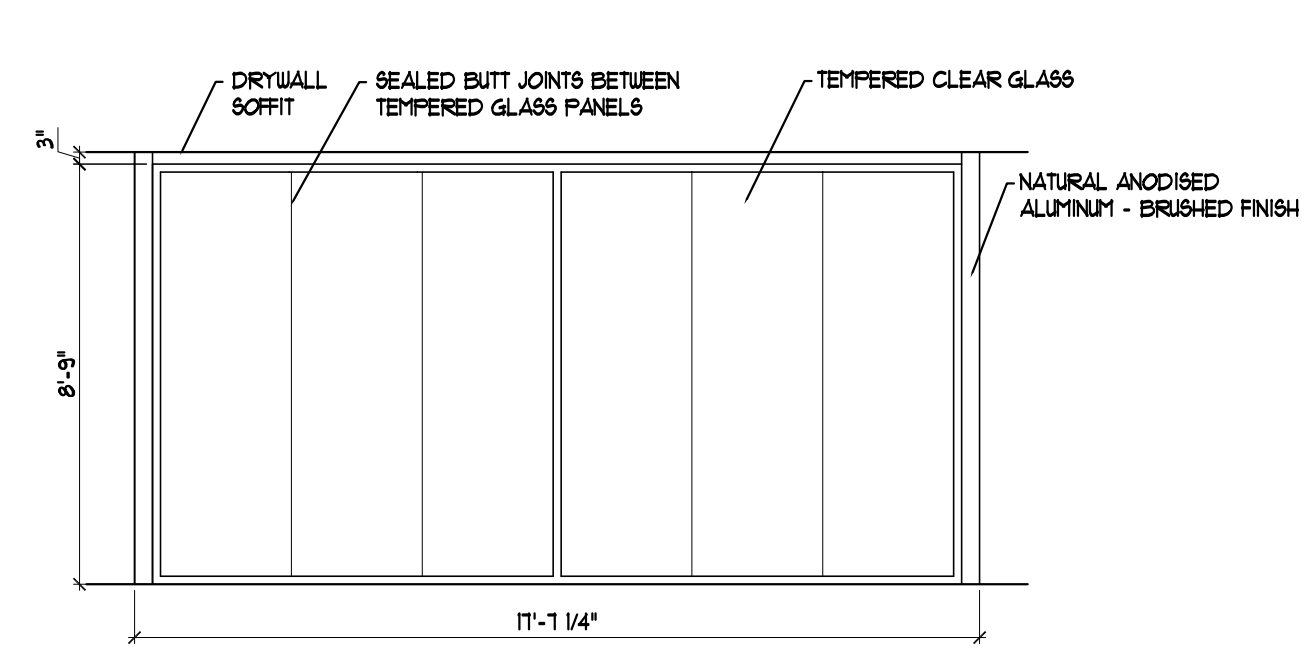
9 STOREFRONT ELEVATION
SCALE: 1/4" = 1'-0"



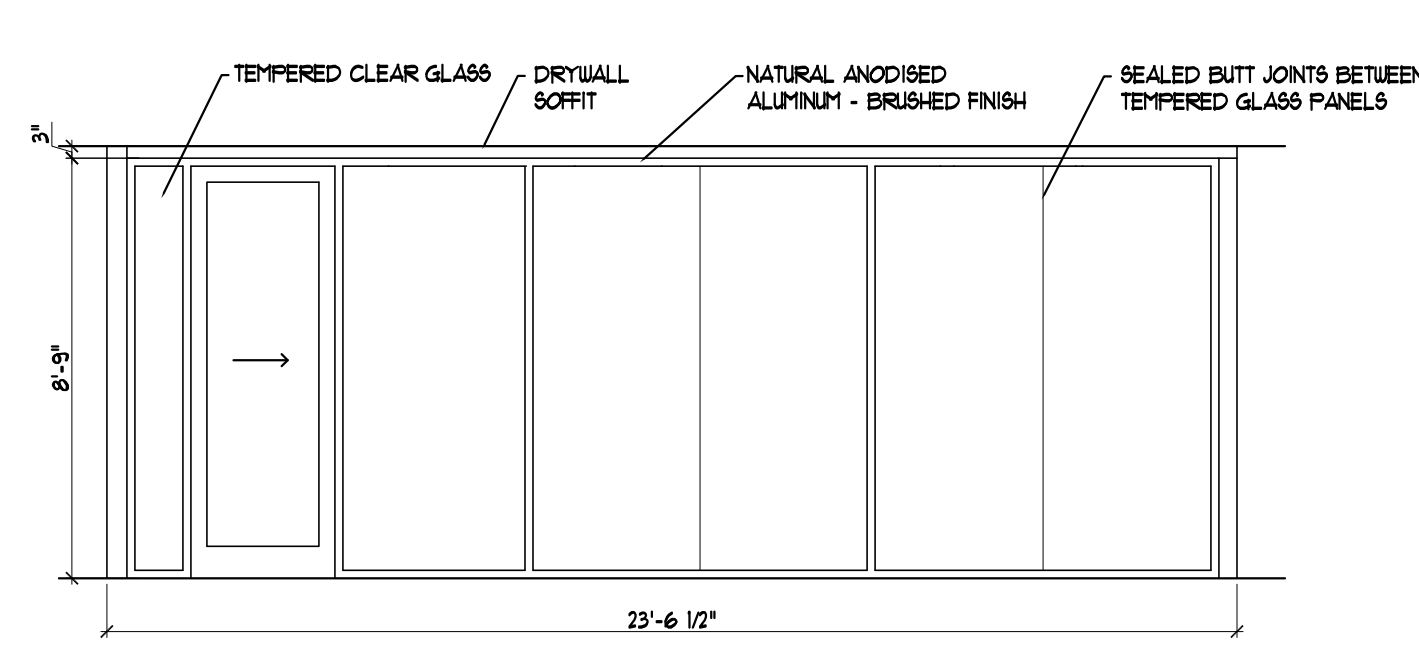
10 STOREFRONT ELEVATION
SCALE: 1/4" = 1'-0"



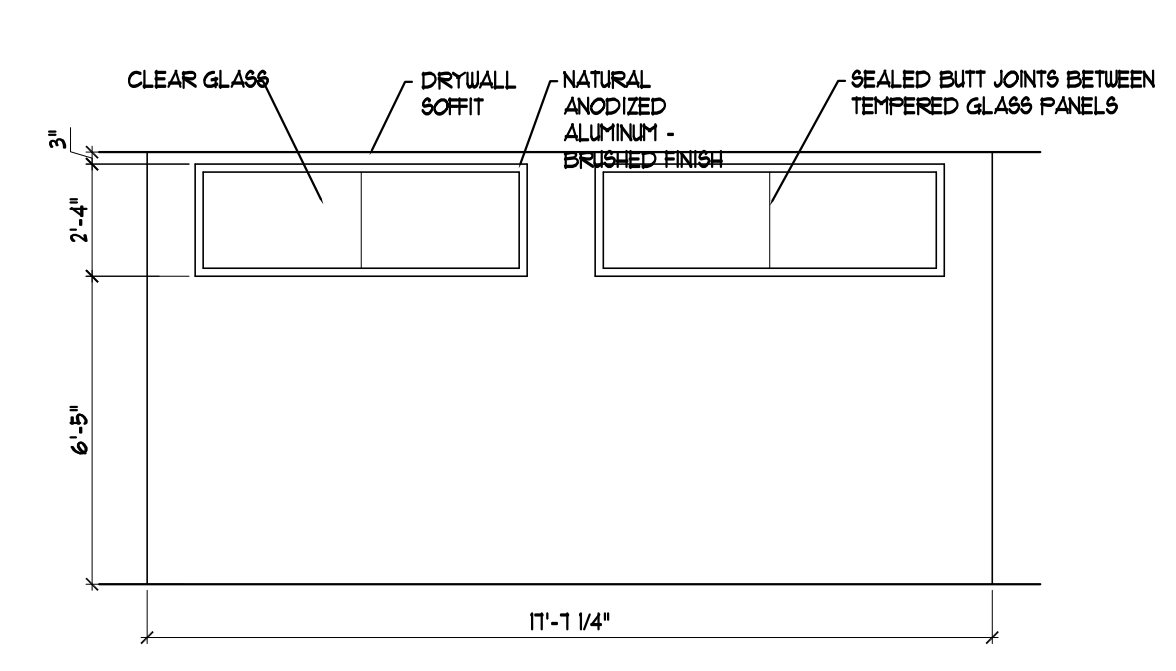
11 STOREFRONT ELEVATION
SCALE: 1/4" = 1'-0"



12 STOREFRONT ELEVATION
SCALE: 1/4" = 1'-0"



13 STOREFRONT ELEVATION
SCALE: 1/4" = 1'-0"



14 STOREFRONT ELEVATION
SCALE: 1/4" = 1'-0"



Architect:
ARCHETYPE architects
48 Union Wharf Portland, Maine 04101
(207) 772-6022 Fax (207) 772-4056

Project:
DIVERSIFIED COMMUNICATIONS
PORTLAND, MAINE 04101

Revisions:

Scale: AS NOTED
Date: 4 December 2012
4TH FLOOR
STOREFRONT ELEVATIONS

A7