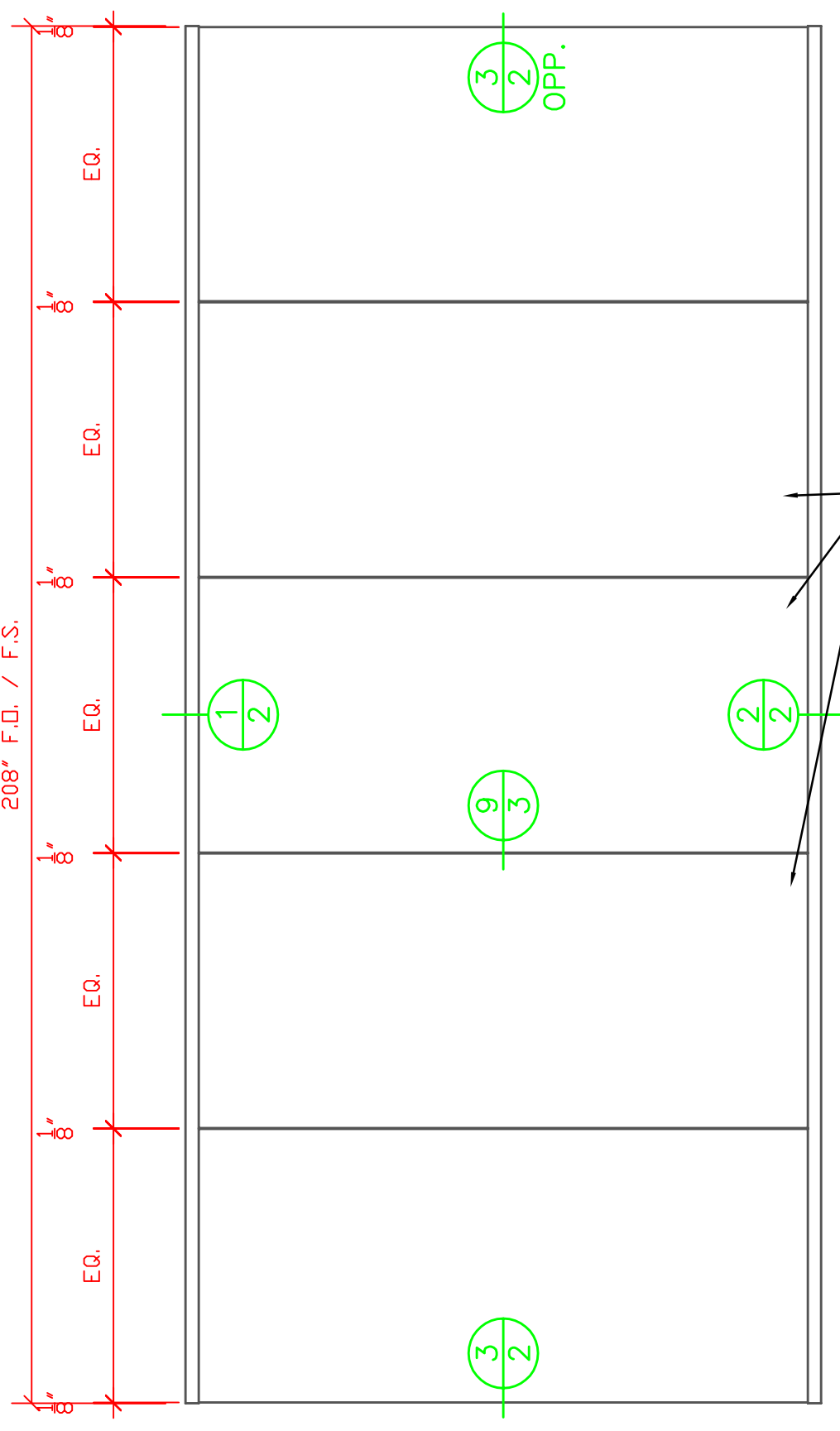
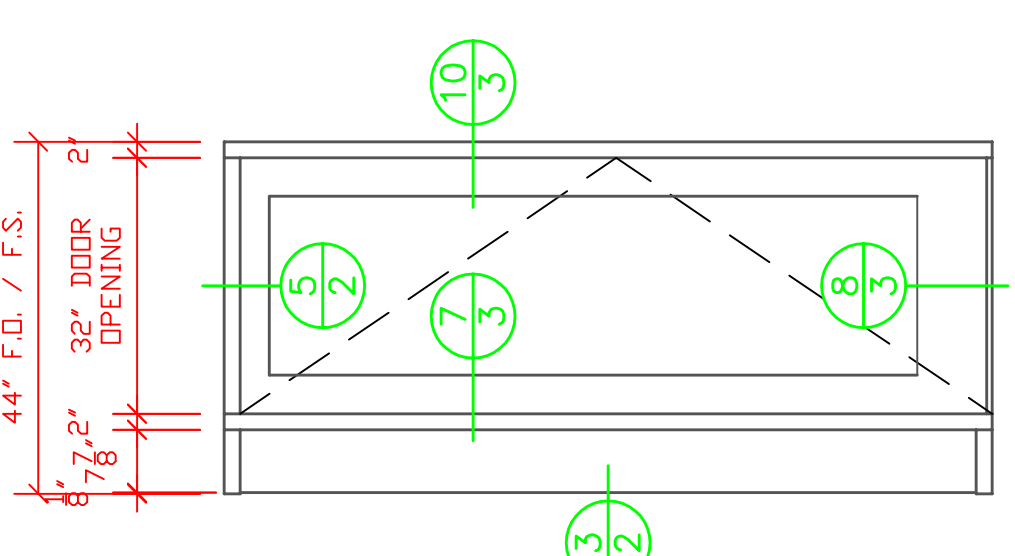


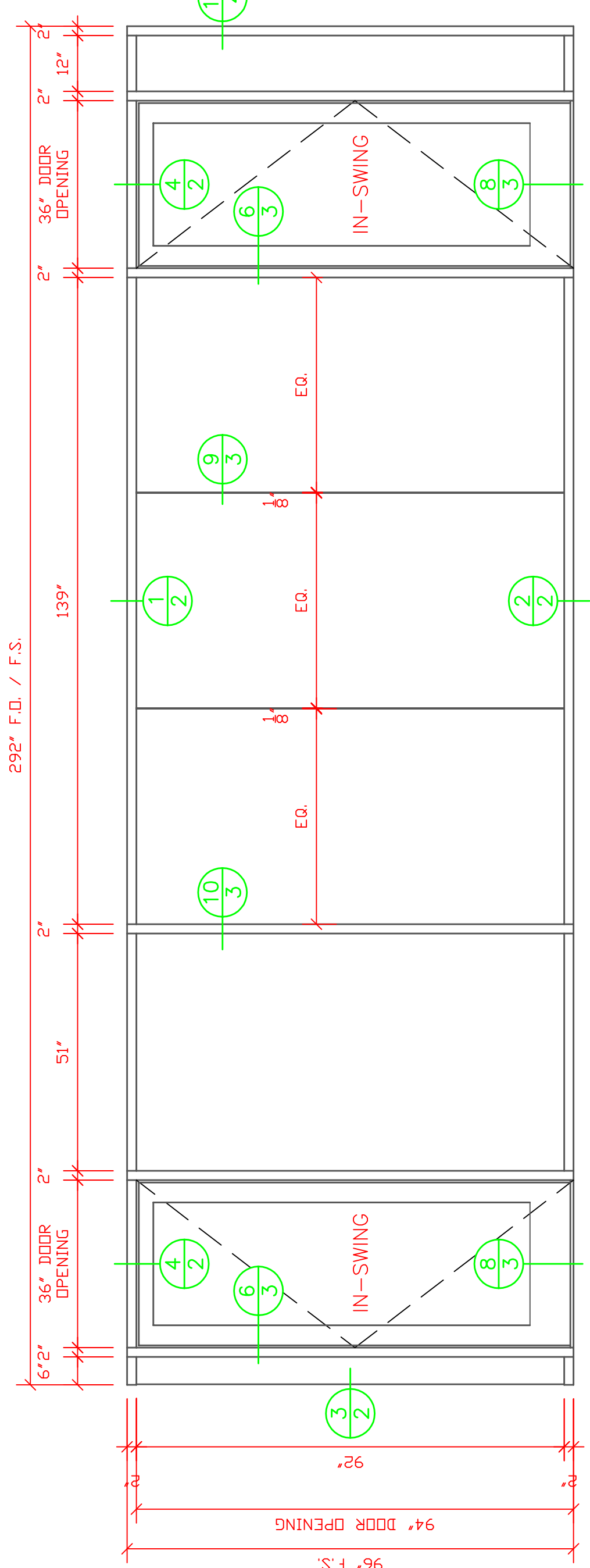
ELEVATION "1"
SCALE: 1/4"=1'-0"
1 ~ REQUIRED AS DRAWN



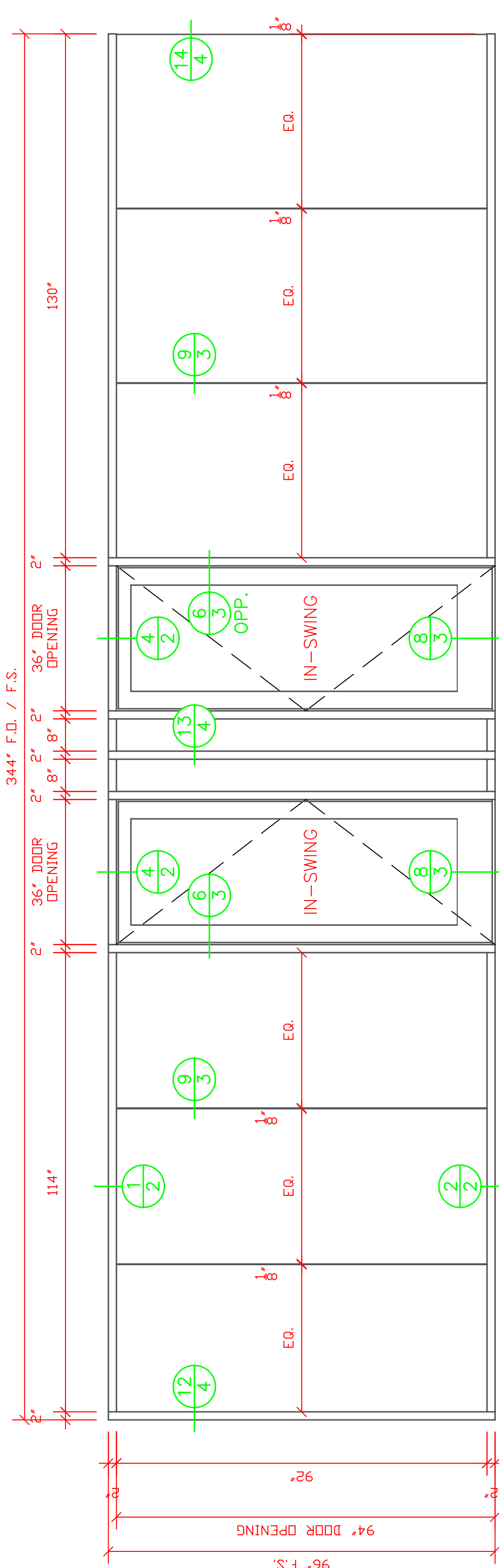
ELEVATION "2"
SCALE: 1/4"=1'-0"
1 ~ REQUIRED AS DRAWN



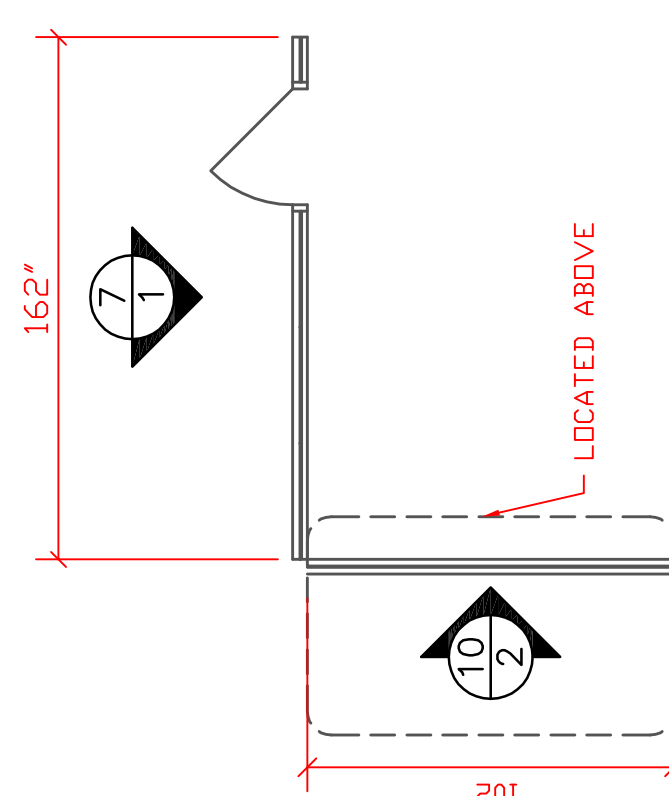
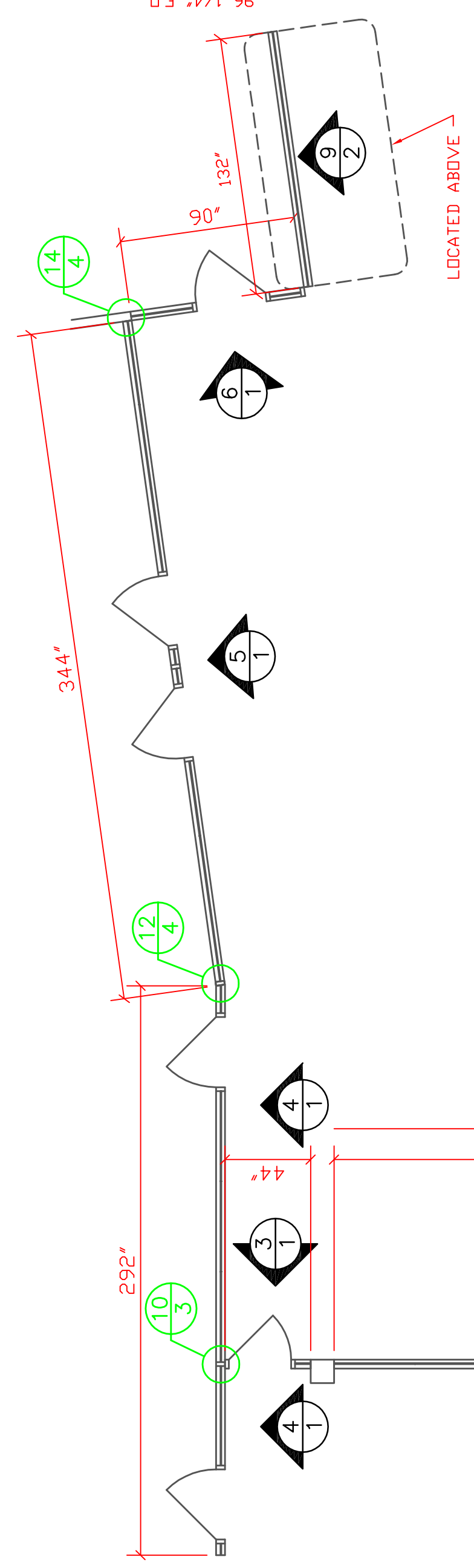
ELEVATION "3"
SCALE: 1/4"=1'-0"
1 ~ REQUIRED AS DRAWN



ELEVATION "4"
SCALE: 1/4"=1'-0"
1 ~ REQUIRED AS DRAWN



ELEVATION "5"
SCALE: 1/4"=1'-0"
1 ~ REQUIRED AS DRAWN



GENERAL NOTES:

1. ALL DIMENSIONS TO BE FIELD VERIFIED BEFORE FABRICATION BY BESAM.
2. ALUMINUM STOREFRONT SYSTEM ~ VISTAWALL FG-3000MP.2" x 4 1/2".
3. ALUMINUM DOORS ~ VISTAWALL MEDIUM STILE (375) SERIES
4. ALUMINUM FINISH ~ CLEAR ANODIZED
5. GLAZING ~ 1/4" OPAL TEMPERED / LAMINATED WHERE INDICATED
6. HARDWARE ~ 1 1/2" PR BUTTS LEVER LOCK SET NO CLOSING HARDWARE

ABBREVIATIONS:

- M.O. - MASONRY OPENING
- F.O. - FINISHED OPENING
- D.O. - DOOR OPENING
- S.O. - STEEL OPENING
- A.F.F. - ABOVE FINISHED FLOOR
- DIM. - DIMENSION
- CL - CENTER LINE
- F.S. - FRAME SIZE
- W.S. - WINDOW SIZE
- REQ'D - REQUIRED
- CLR - CLEAR
- B.O.S. - BOTTOM OF STEEL
- T.O.S. - TOP OF STEEL
- NTS - NOT TO SCALE

SYMBOLS:

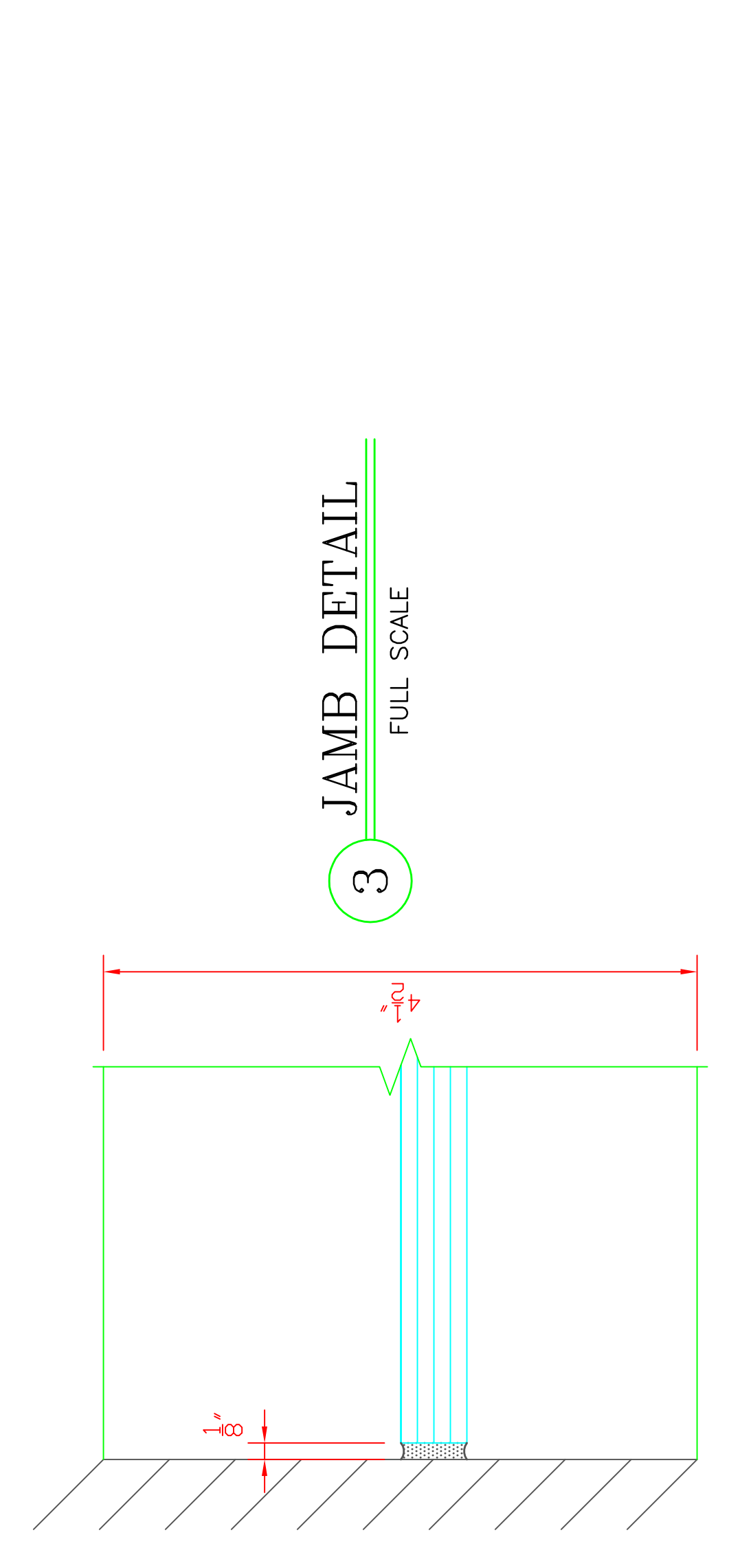
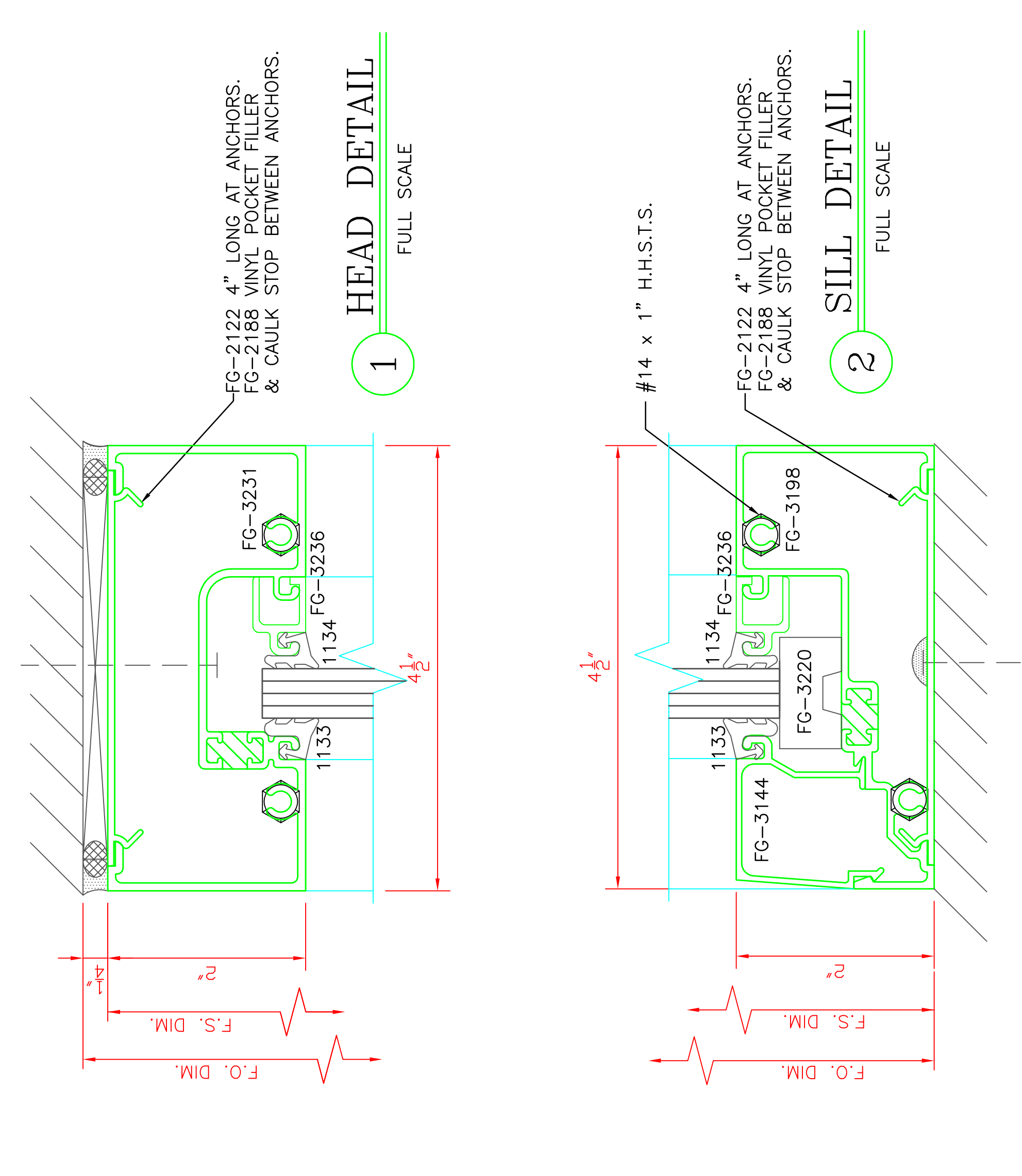
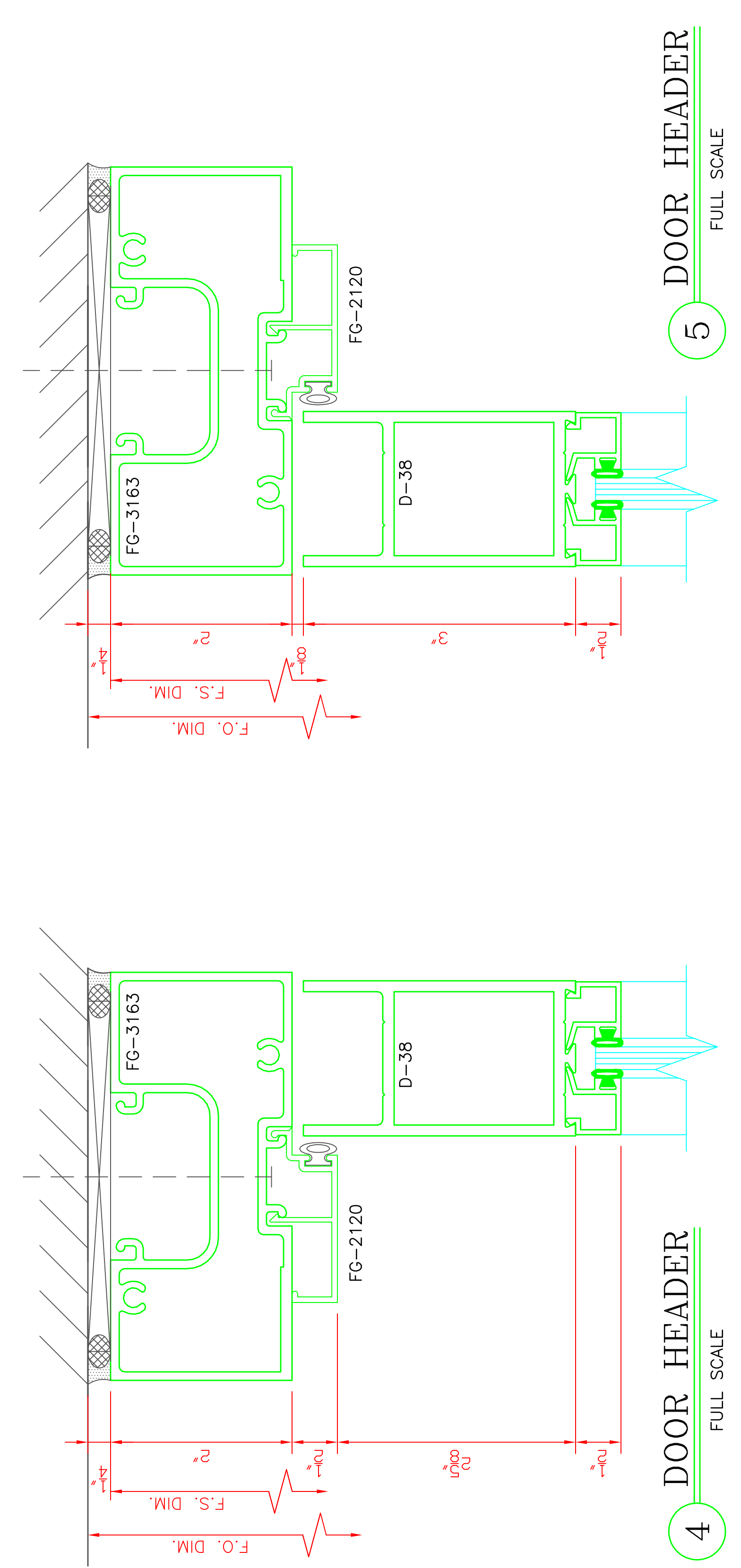
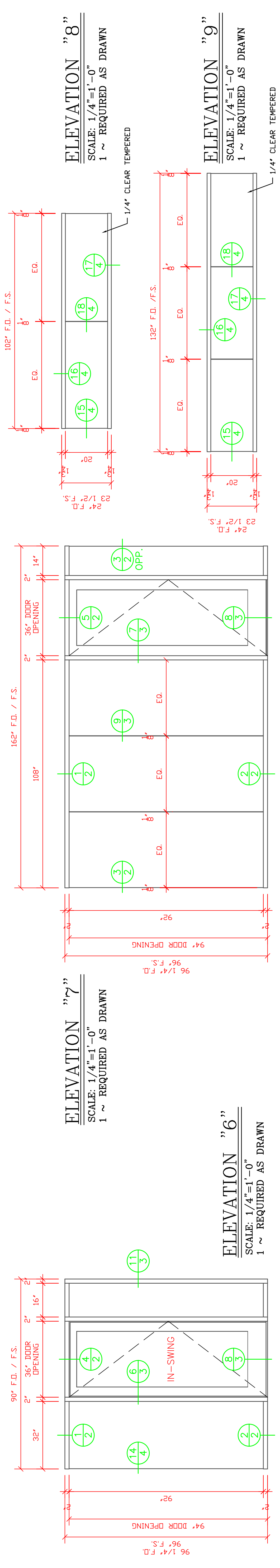
- ELEVATION NUMBER SHEET NUMBER
- DETAIL NUMBER SHEET NUMBER

REVISIONS:

NO.	DATE:	DESCRIPTION:
1		
2		
3		
4		
5		
6		
7		

JOB NAME: DIVERSIFIED COMMUNICATIONS

DATE:	3/7/12
SCALE:	AS NOTED
DRAWN BY:	E. BOREK



ABBREVIATIONS:

- M.O. - MASONRY OPENING
- F.O. - FINISHED OPENING
- D.O. - DOOR OPENING
- S.O. - STEEL OPENING
- A.F.F. - ABOVE FINISHED FLOOR
- DIM. - DIMENSION
- CL - CENTER LINE
- F.S. - FRAME SIZE
- W.S. - WINDOW SIZE
- REQ'D - REQUIRED
- CLR - CLEAR
- B.O.S. - BOTTOM OF STEEL
- T.O.S. - TOP OF STEEL
- N.T.S. - NOT TO SCALE

SYMBOLS:

- ELEVATION NUMBER SHEET NUMBER
- DETAIL NUMBER SHEET NUMBER

REVISIONS:

NO.	DATE:	DESCRIPTION:
1		
2		
3		
4		
5		

JOB NAME: DIVERSIFIED COMMUNICATIONS

DATE: 3/7/12

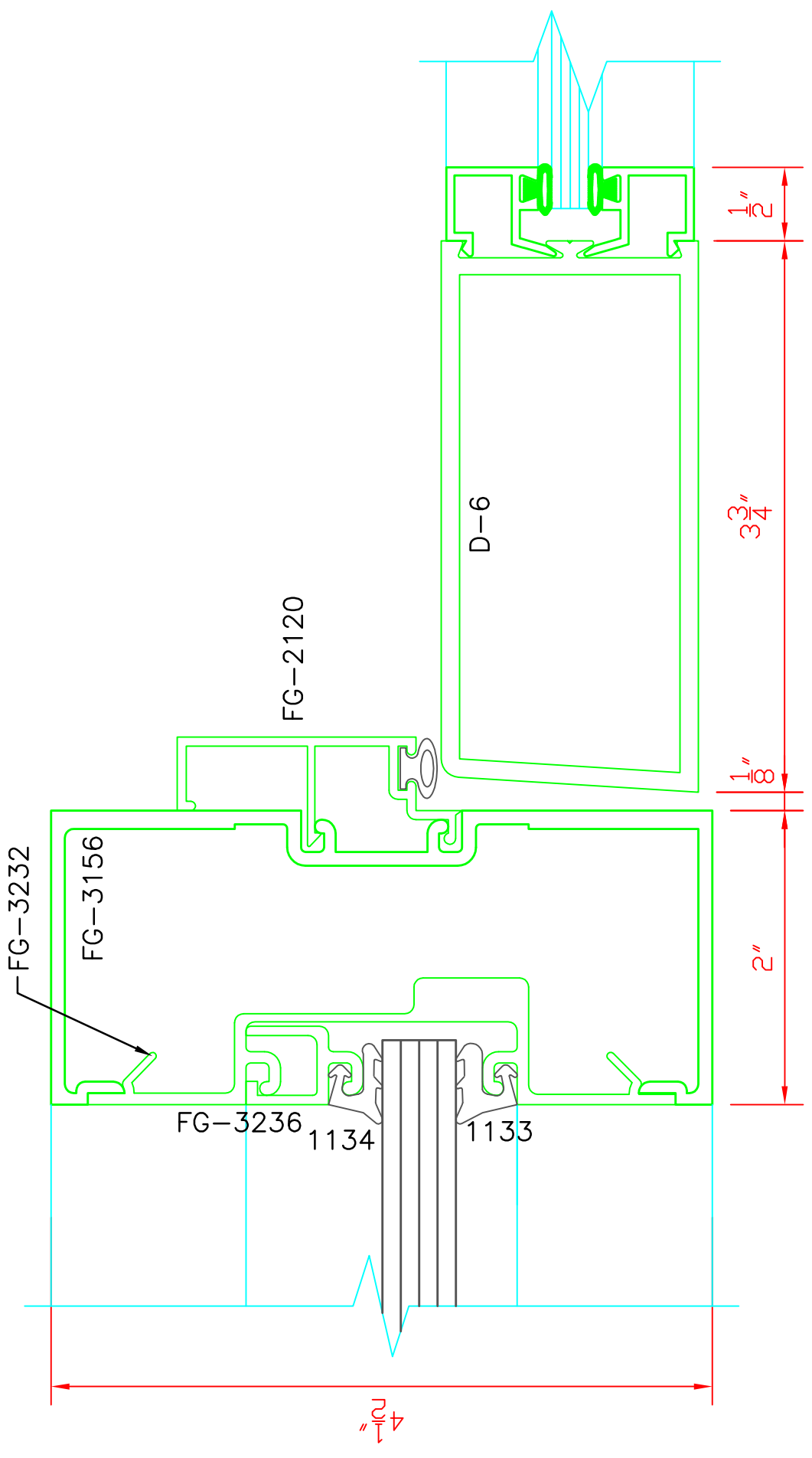
SCALE: AS NOTED

ARCHITECT:

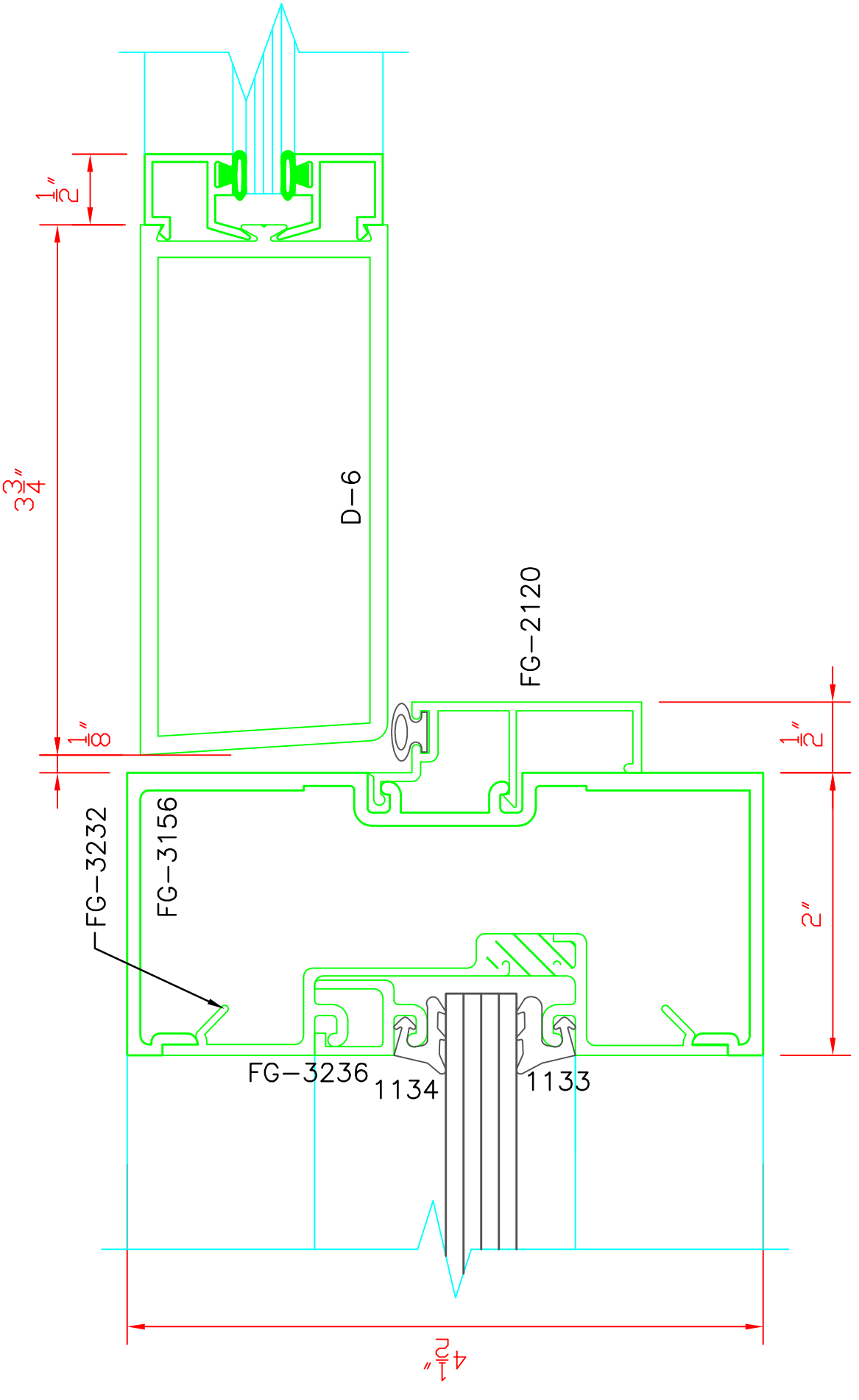
CONTRACTOR:

DRAWN BY: E. BOREK

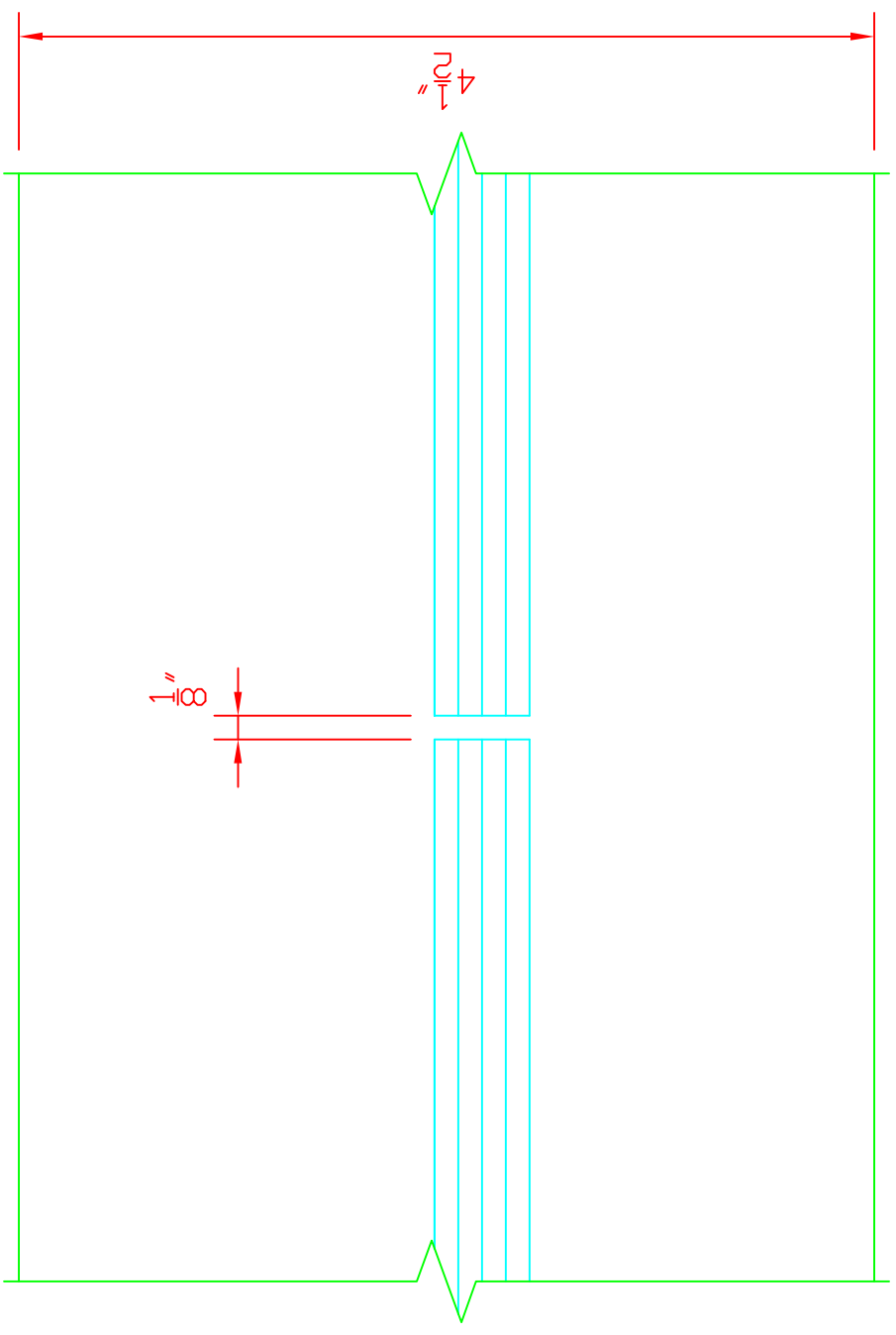
7 DOOR JAMB
FULL SCALE



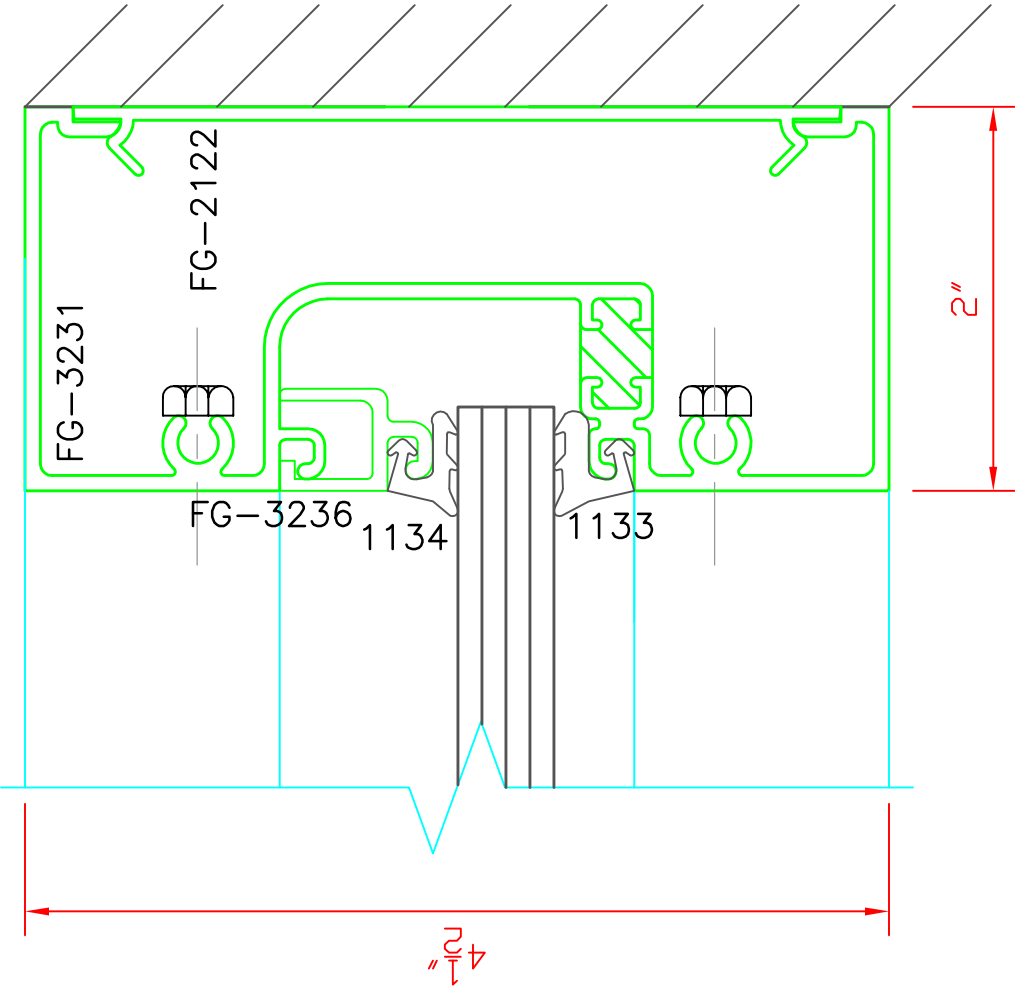
6 DOOR JAMB
FULL SCALE



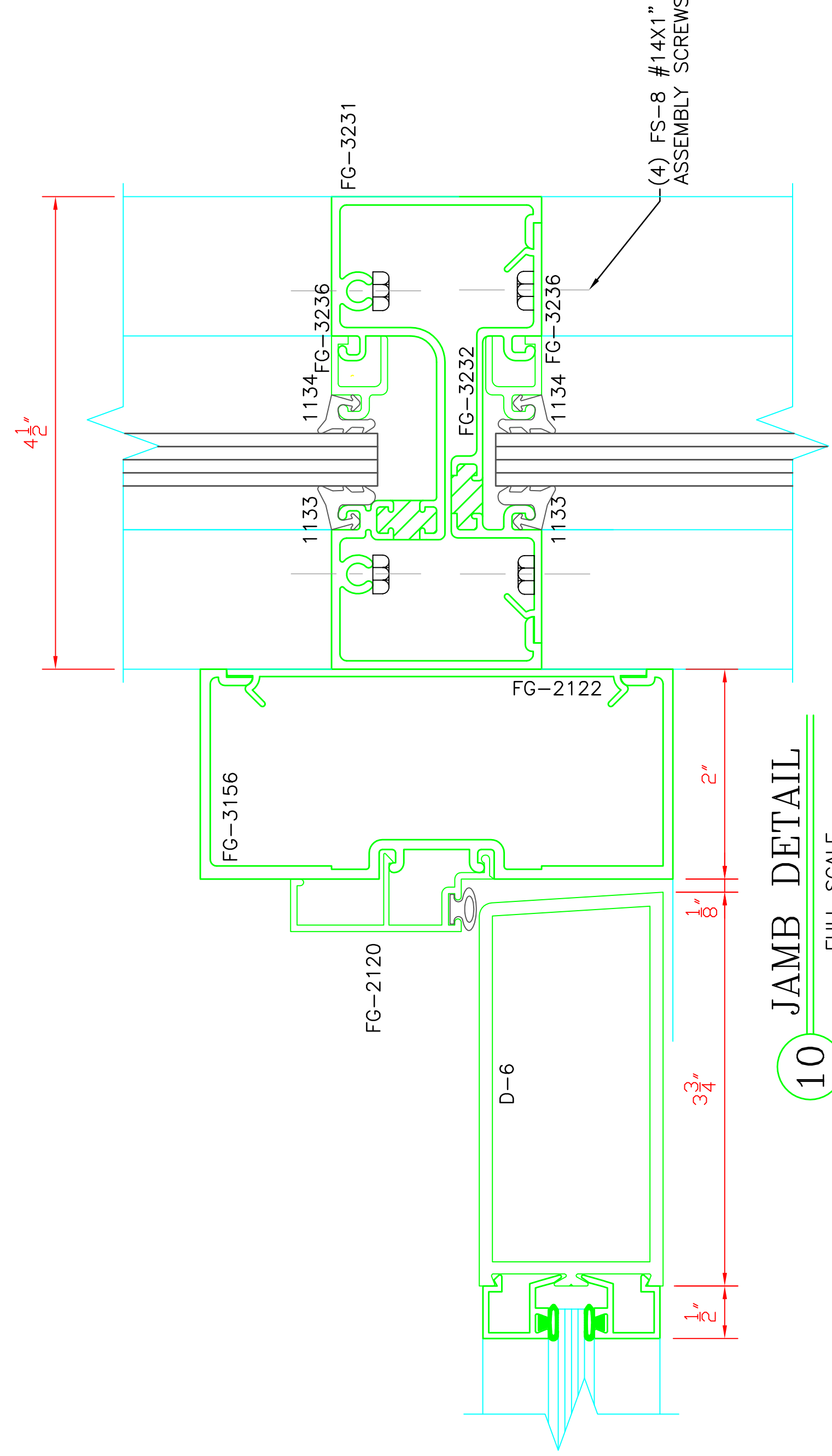
9 VERT. DETAIL
FULL SCALE



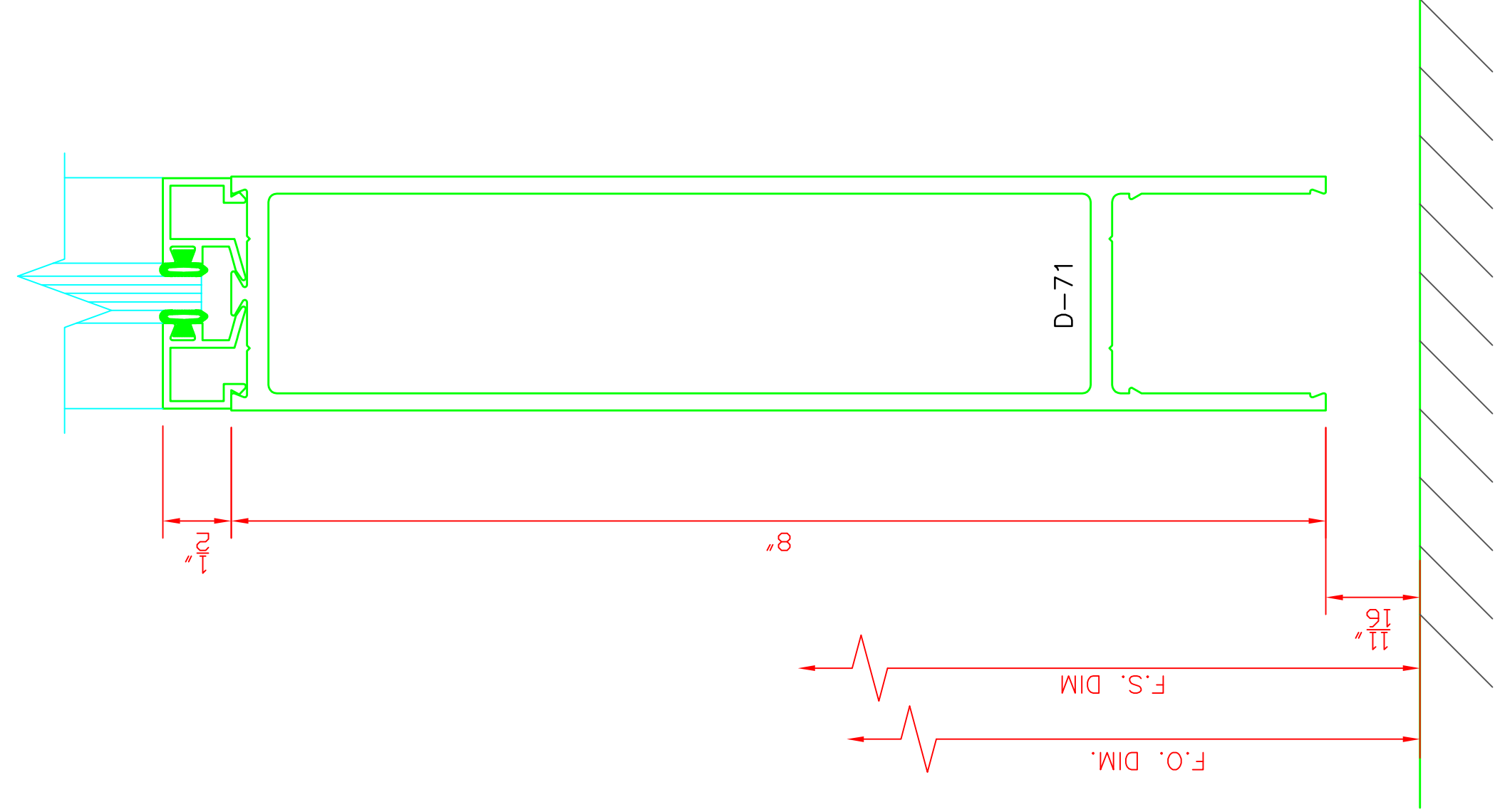
11 JAMB DETAIL
FULL SCALE



10 JAMB DETAIL
FULL SCALE



8 THRESHOLD DETAIL
FULL SCALE



JOB NAME: DIVERSIFIED COMMUNICATIONS

DATE: 3/7/12

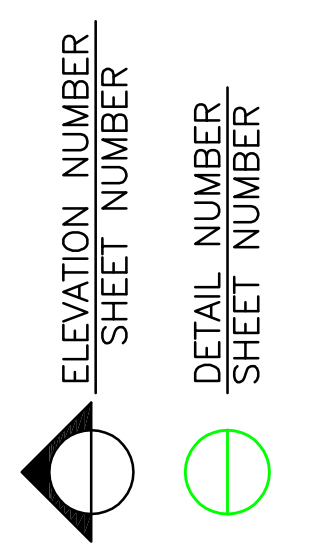
SCALE: AS NOTED

DRAWN BY: E. BOREK

REVISIONS:

NO.	DATE:	DESCRIPTION:
1		
2		
3		
4		
5		
6		
7		

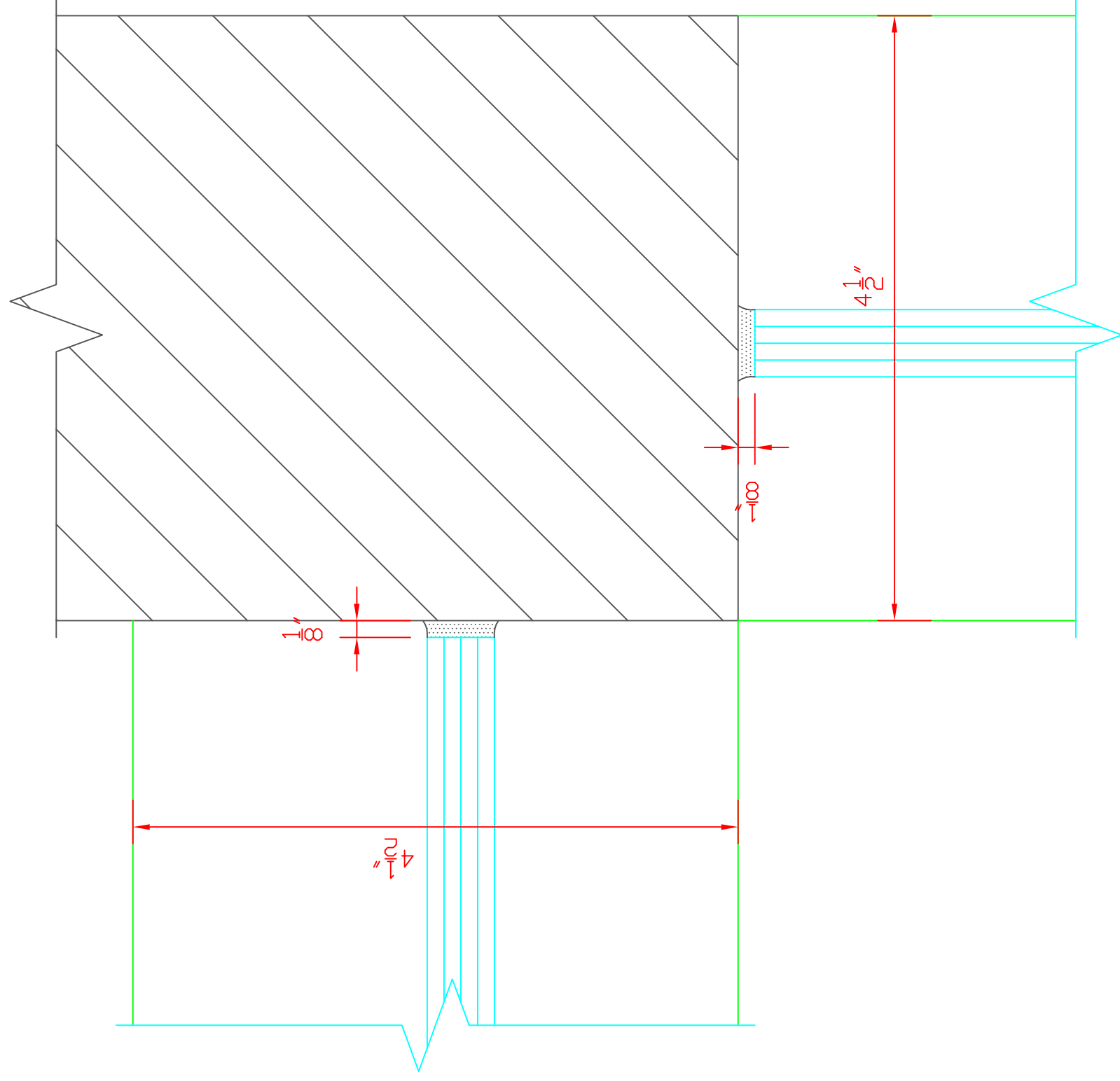
SYMBOLS:



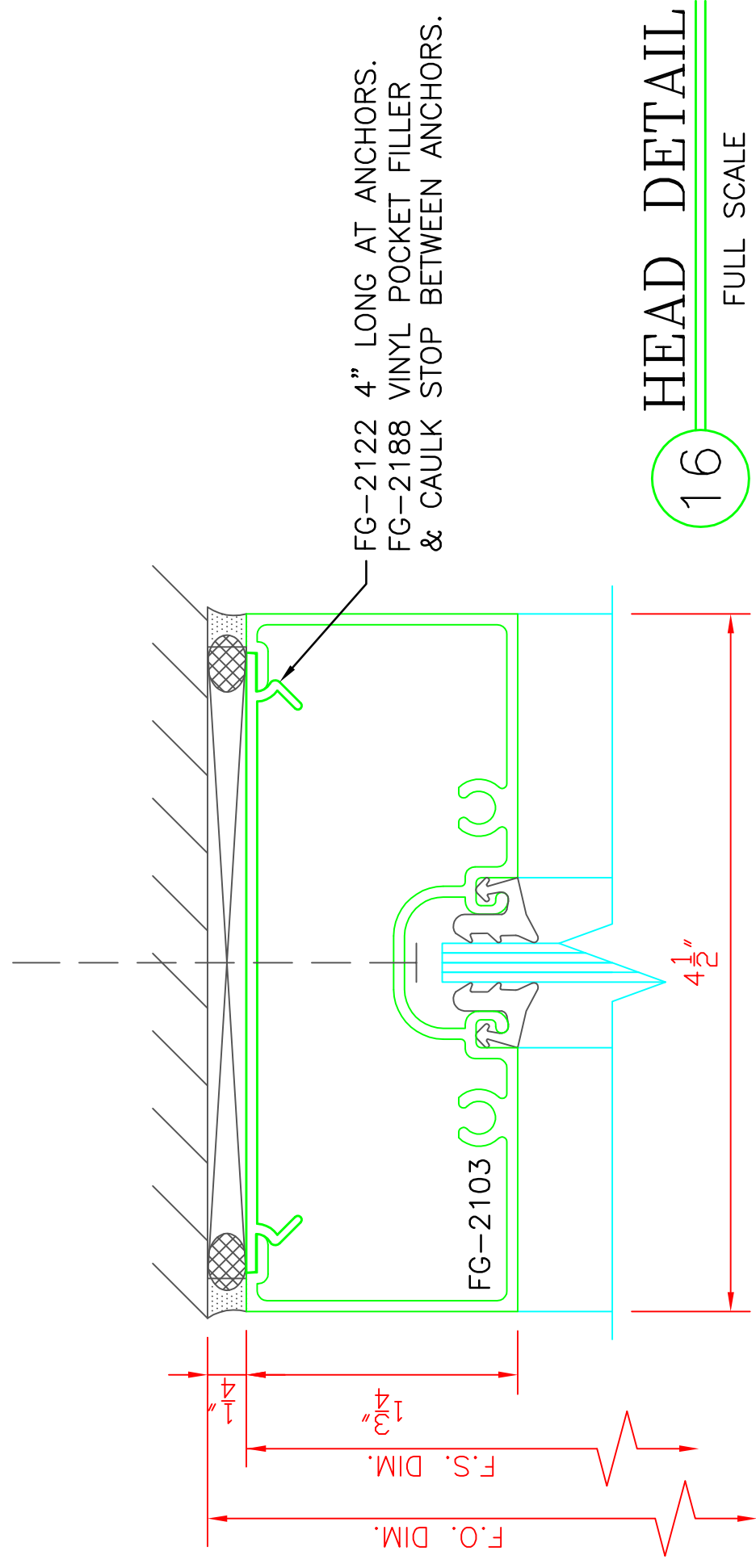
ABBREVIATIONS:

- M.O. - MASONRY OPENING
- F.O. - FINISHED OPENING
- D.O. - DOOR OPENING
- S.O. - STEEL OPENING
- A.F.F. - ABOVE FINISHED FLOOR
- DIM. - DIMENSION
- CL - CENTER LINE
- F.S. - FRAME SIZE
- W.S. - WINDOW SIZE
- REQ'D - REQUIRED
- CLR. - CLEAR
- B.O.S. - BOTTOM OF STEEL
- T.O.S. - TOP OF STEEL
- N.T.S. - NOT TO SCALE

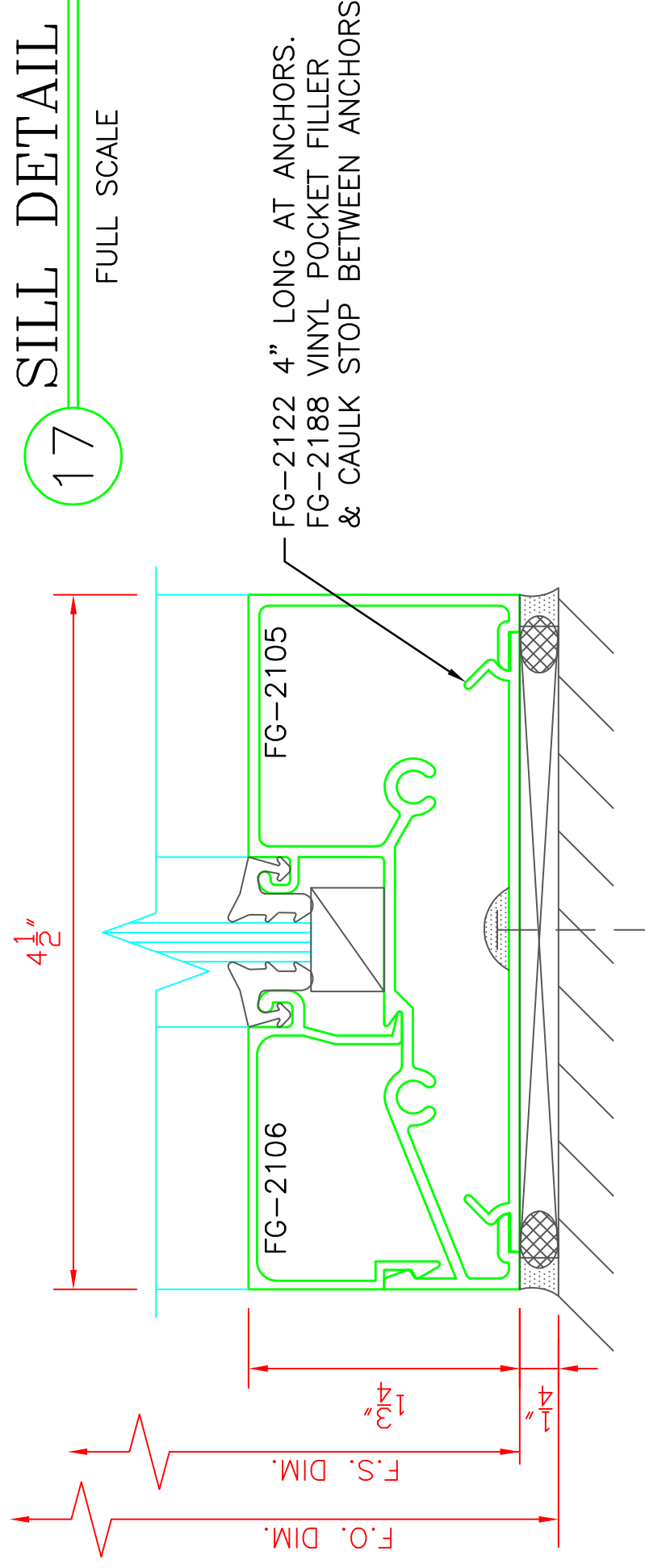
14 CORNER DETAIL
FULL SCALE



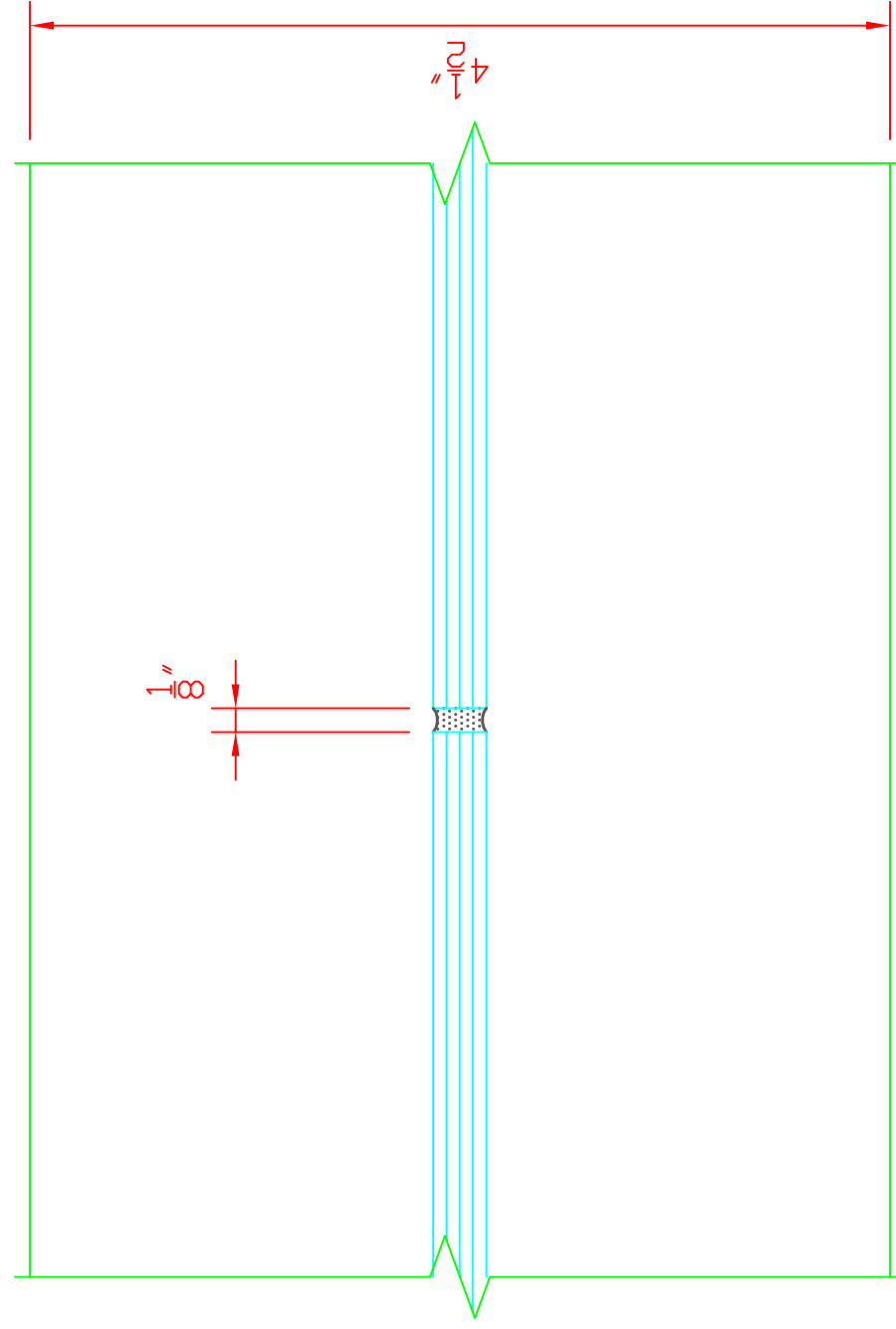
16 HEAD DETAIL
FULL SCALE



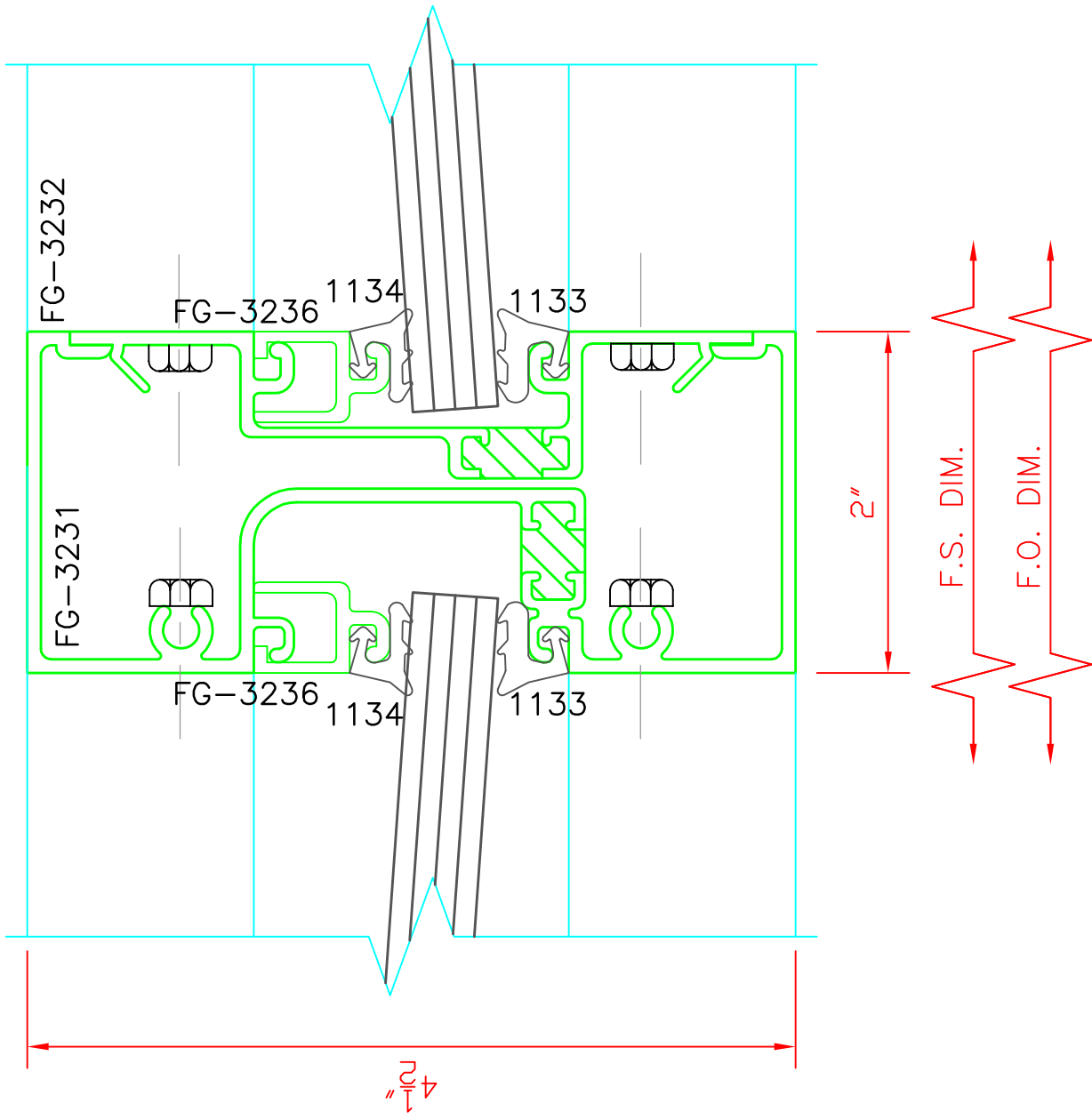
17 SILL DETAIL
FULL SCALE



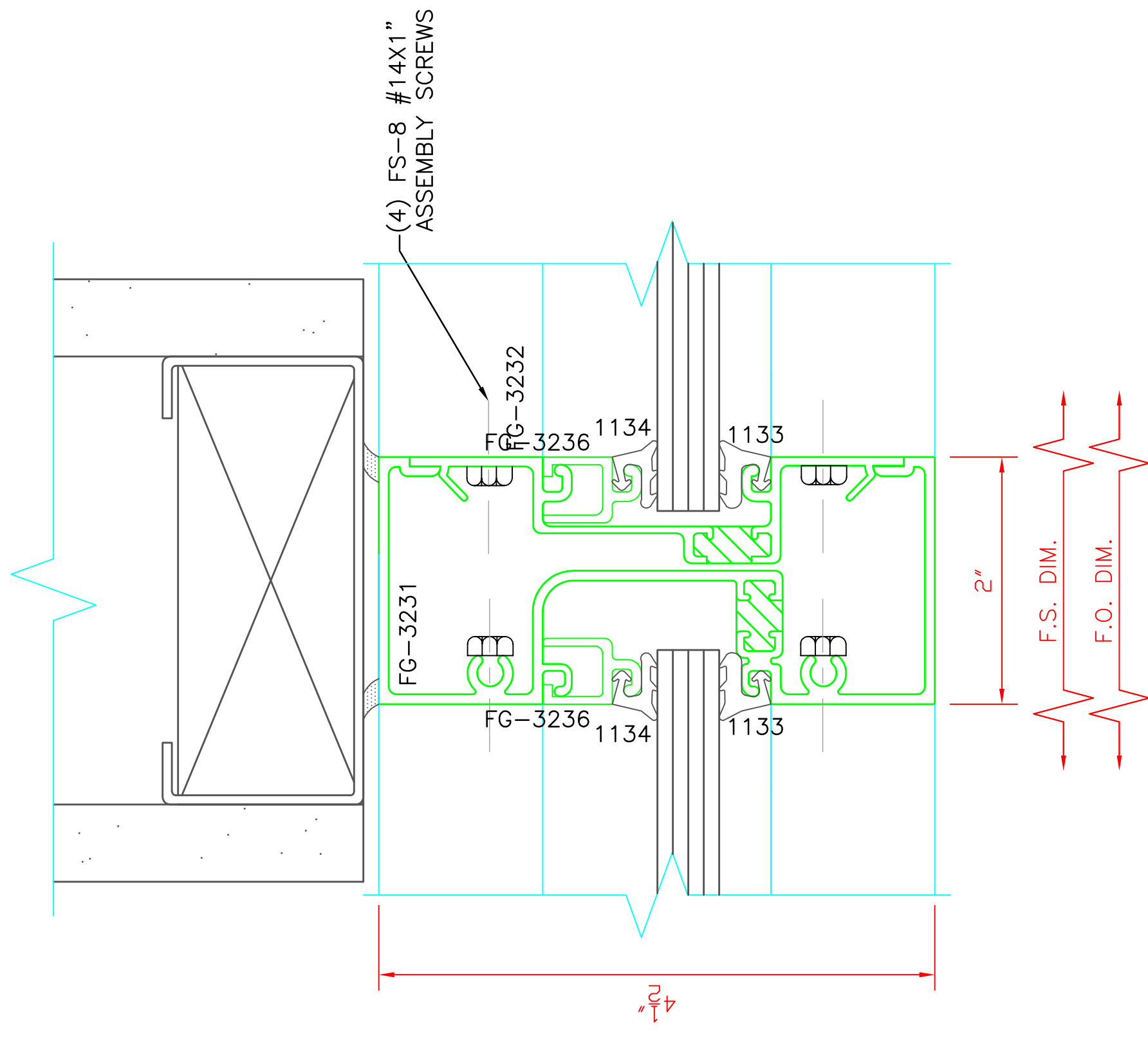
18 VERT. DETAIL
FULL SCALE



12 JAMB DETAIL
FULL SCALE



15 JAMB DETAIL
FULL SCALE



13 VERT. DETAIL
FULL SCALE

15 JAMB DETAIL
FULL SCALE

ABBREVIATIONS:

- M.O. - MASONRY OPENING
- F.O. - FINISHED OPENING
- D.O. - DOOR OPENING
- S.O. - STEEL OPENING
- A.F.F. - ABOVE FINISHED FLOOR
- DIM. - DIMENSION
- CL - CENTER LINE
- F.S. - FRAME SIZE
- W.S. - WINDOW SIZE
- REQ'D - REQUIRED
- CLR. - CLEAR
- B.O.S. - BOTTOM OF STEEL
- T.O.S. - TOP OF STEEL
- N.T.S. - NOT TO SCALE

SYMBOLS:

- ELEVATION NUMBER SHEET NUMBER
- DETAIL NUMBER SHEET NUMBER

REVISIONS:

NO.	DATE:	DESCRIPTION:
1		
2		
3		
4		
5		

JOB NAME: DIVERSIFIED COMMUNICATIONS

DATE: 3/7/12

SCALE: AS NOTED

DRAWN BY: E. BOREK

ARCHITECT:

CONTRACTOR: