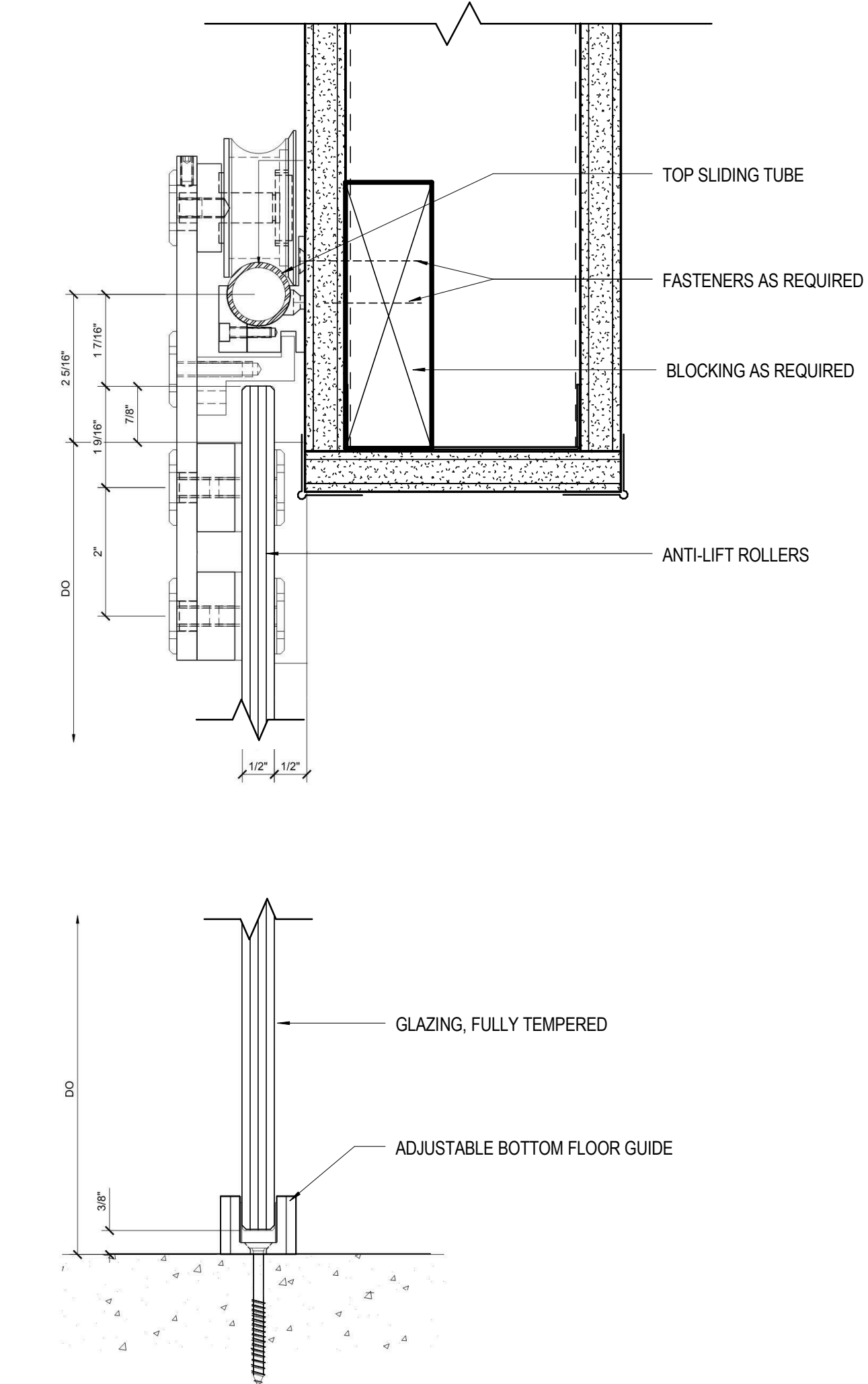
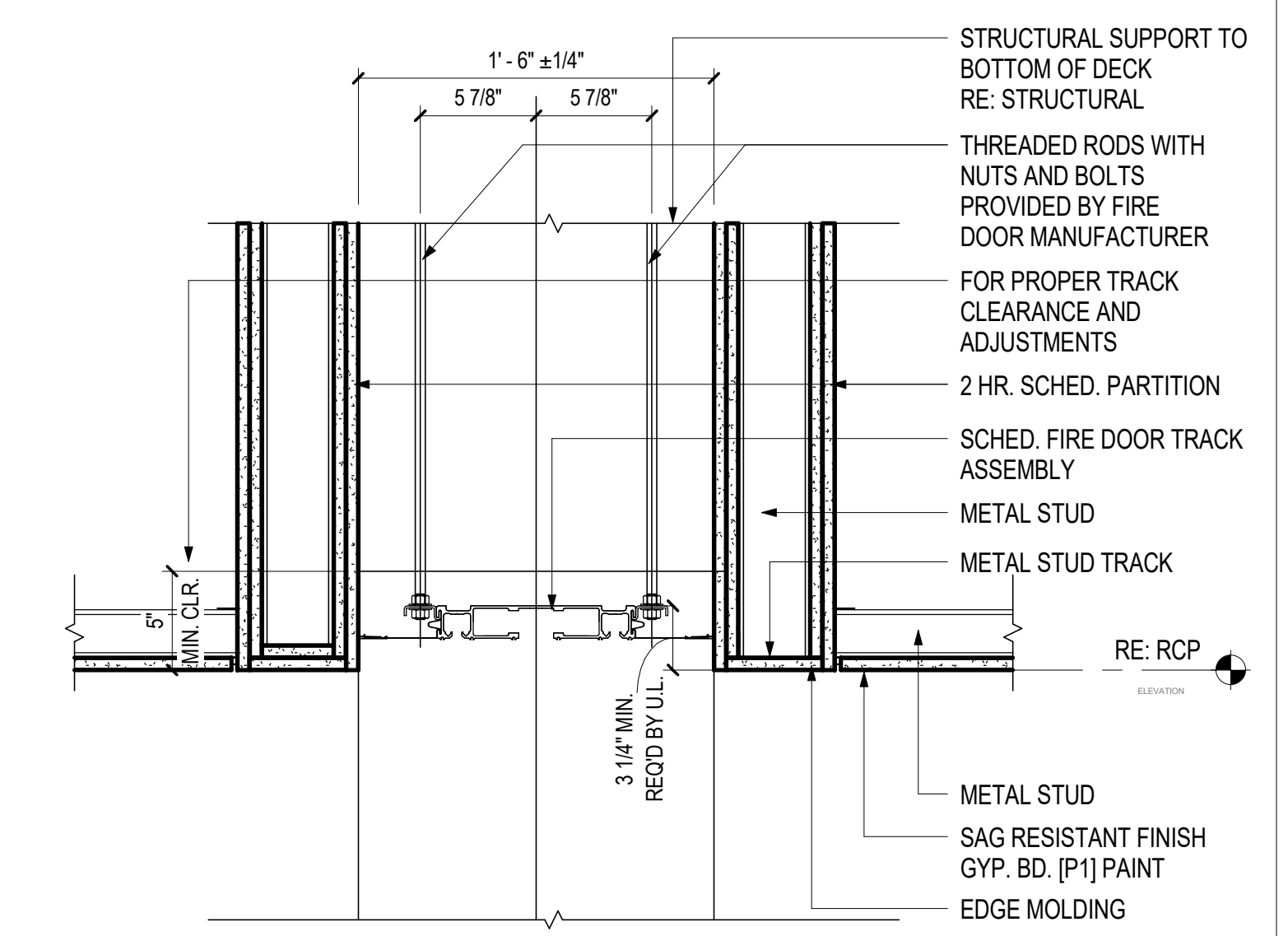


**03 FIRE SHUTTER PLAN DETAIL**  
SCALE: 3" = 1'-0"



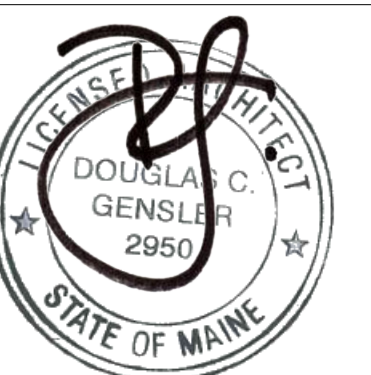
**01 BARN DOOR HEAD & SILL DETAIL 1**  
SCALE: 6" = 1'-0"



**02 CEILING DETAIL - FIRE DOOR HEADER**  
SCALE: 1 1/2" = 1'-0"

Date	Description
08/18/17	ISSUE FOR PERMIT & CONSTRUCTION

Seal / Signature



Project Name

Unum Workplace  
Transformation- Phase 1 (HO2)

Project Number

59.6481.003

Description

DOOR AND GLAZING DETAILS

Scale

As indicated

**A00.013**