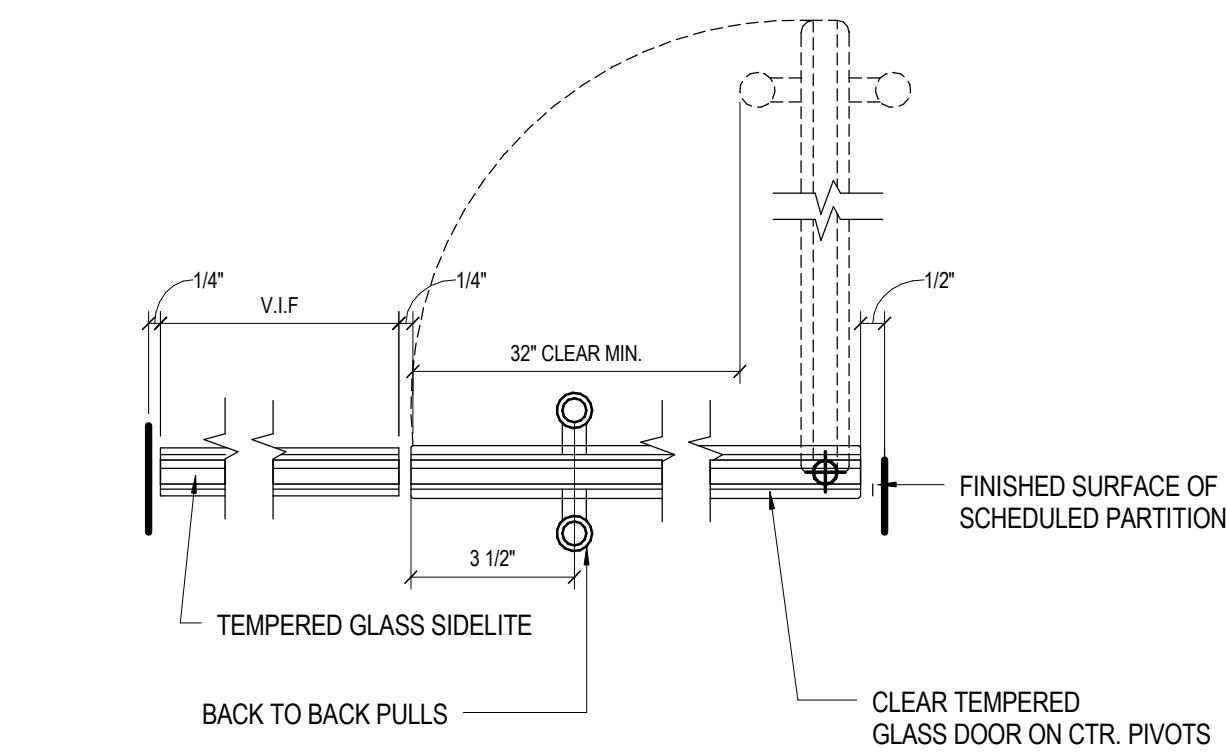
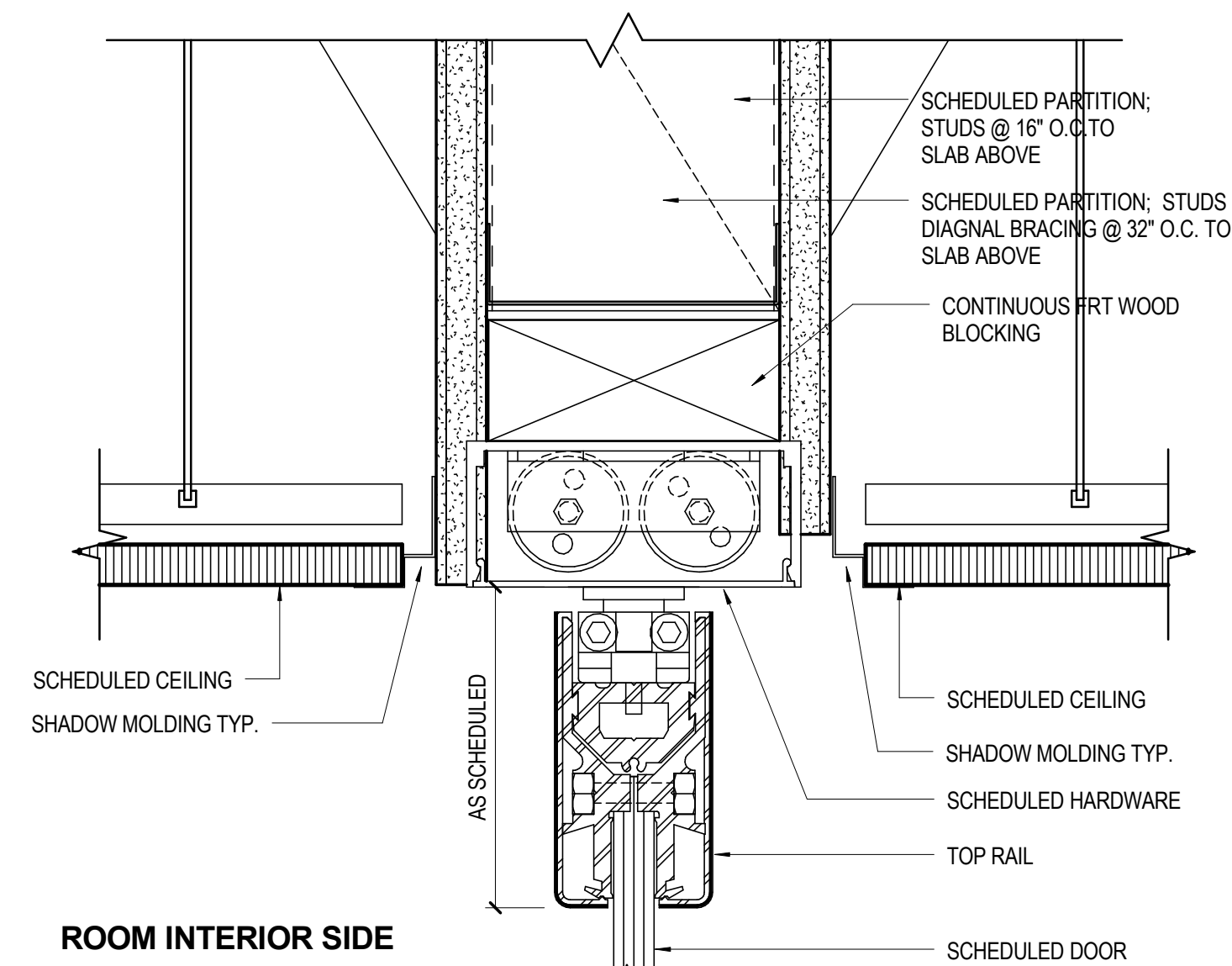


13 HOLLOW METAL FRAME JAMB DETAIL
SCALE: 3" = 1'-0"

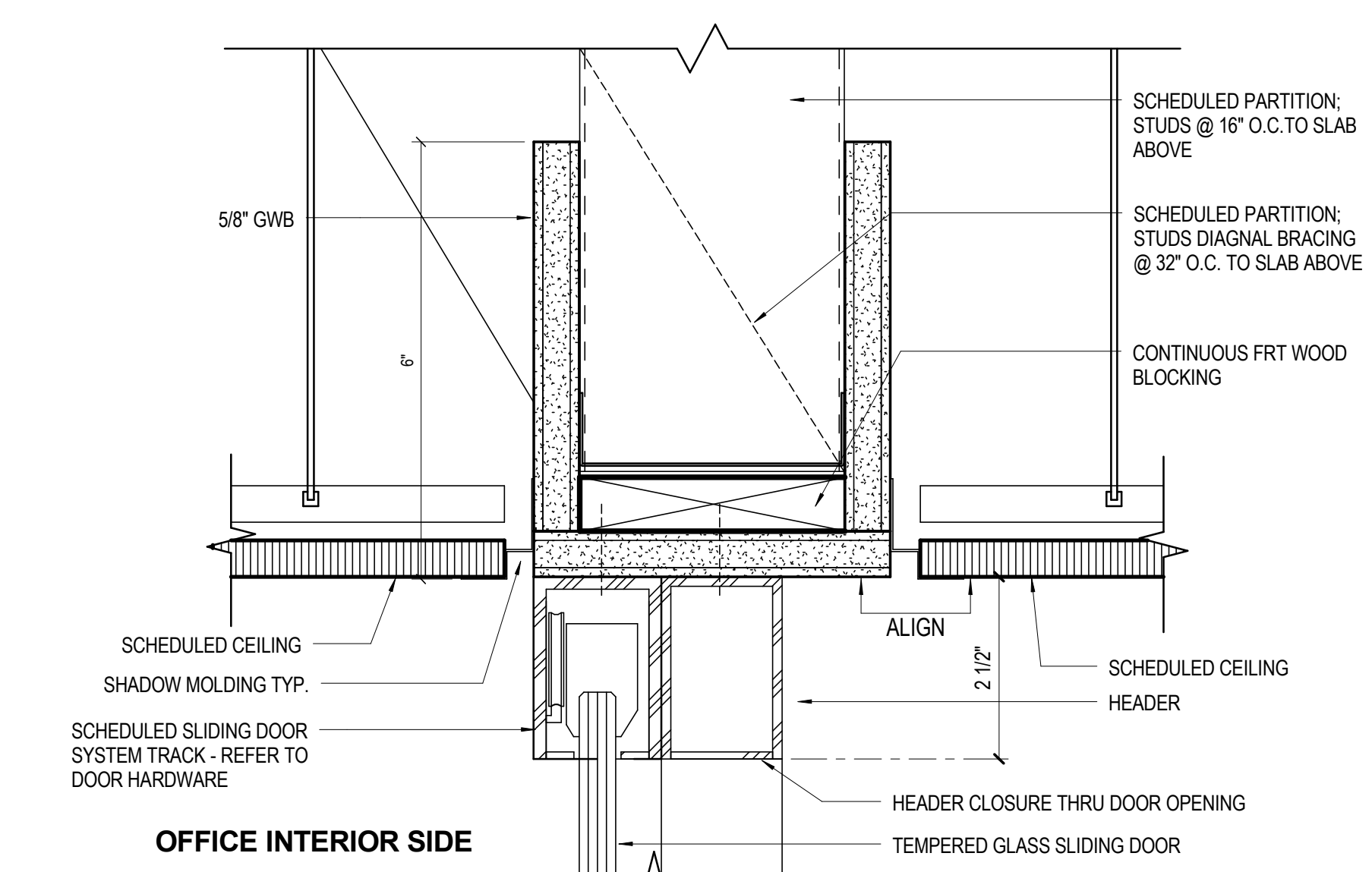


*PROVIDE CONTINUOUS 1/8" CLEAN AND CLEAR SILICONE CAULK AT ALL VERTICAL JOINTS

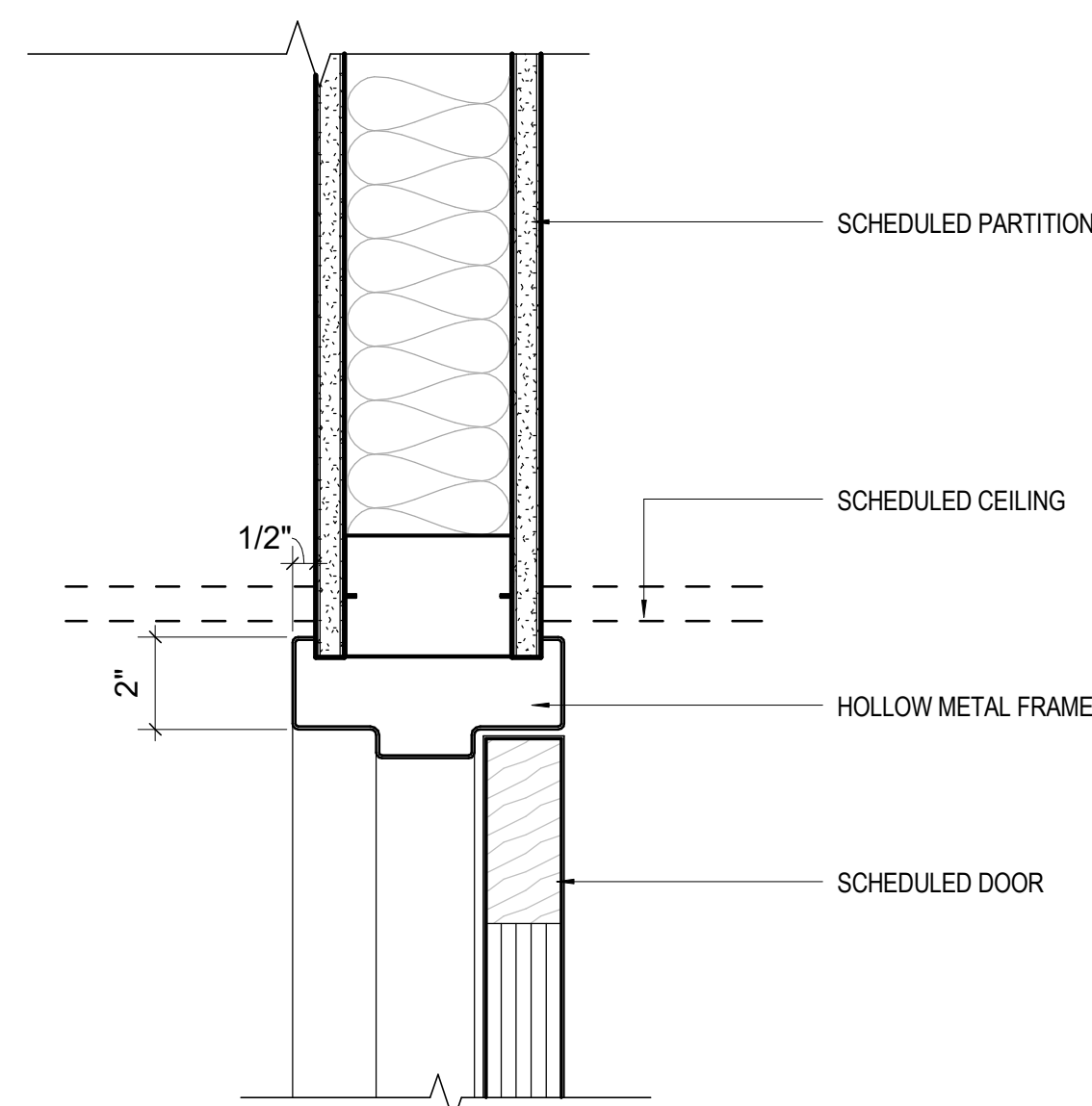
09 GLASS PIVOT DOOR1
SCALE: 3" = 1'-0"



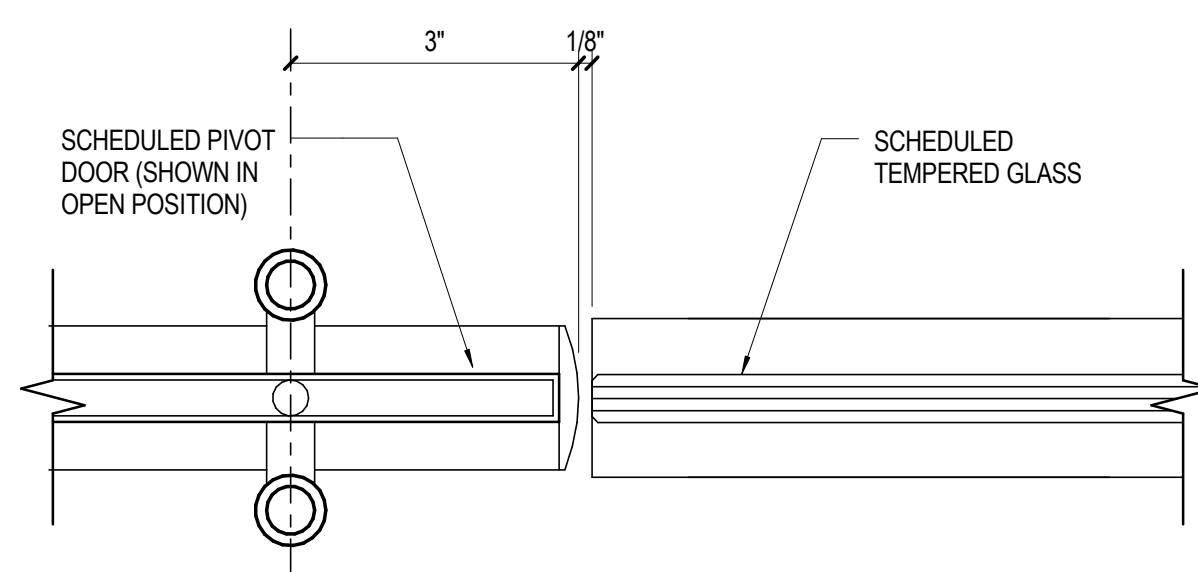
05 PIVOT DOOR HEAD DETAIL
SCALE: 6" = 1'-0"



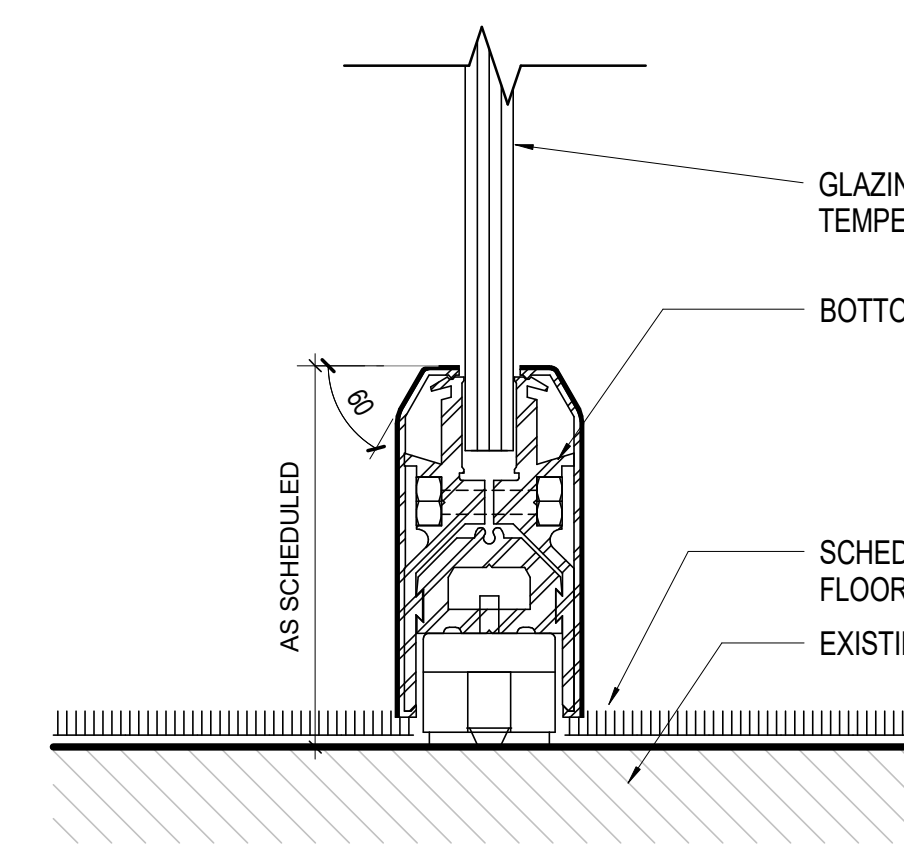
01 SLIDING GLASS DOOR HEAD DETAIL
SCALE: 6" = 1'-0"



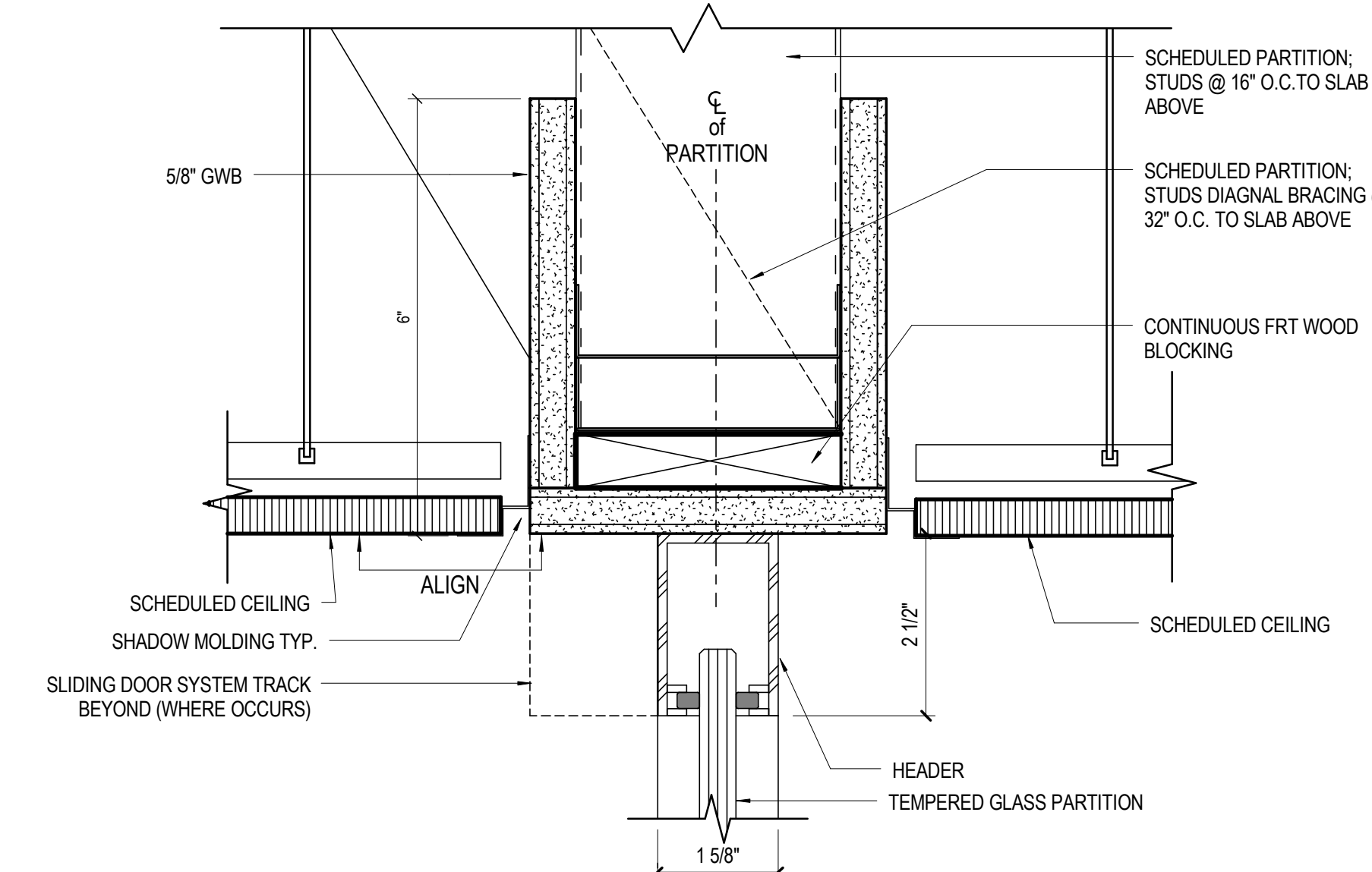
14 HOLLOW METAL FRAME HEAD DETAIL
SCALE: 3" = 1'-0"



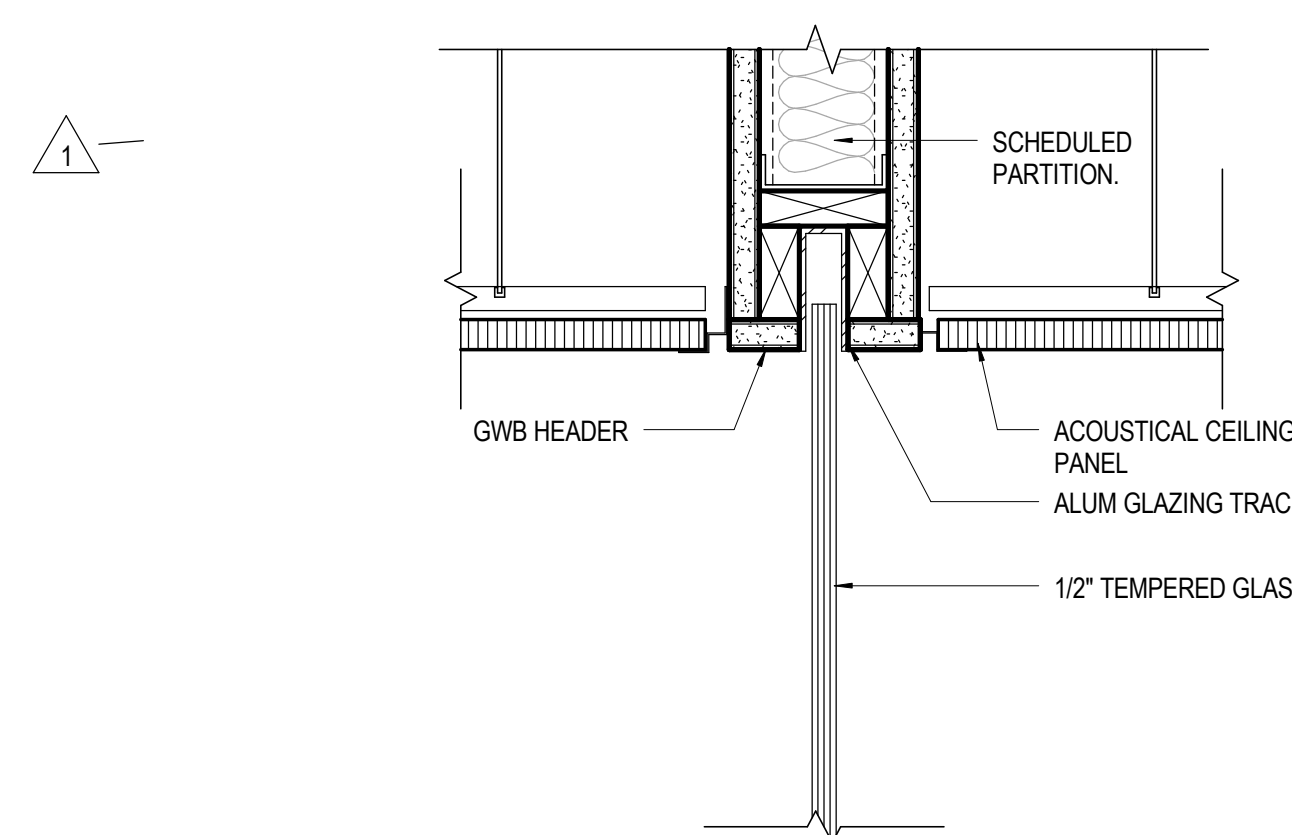
10 PIVOT DOOR JAMB DETAIL
SCALE: 6" = 1'-0"



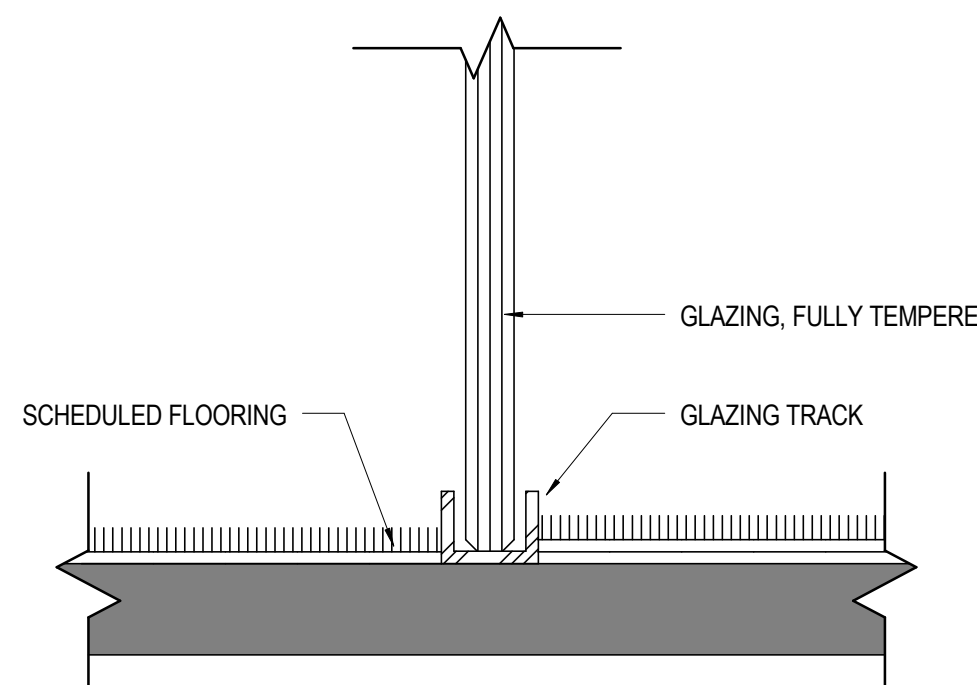
06 PIVOT DOOR SILL DETAIL
SCALE: 6" = 1'-0"



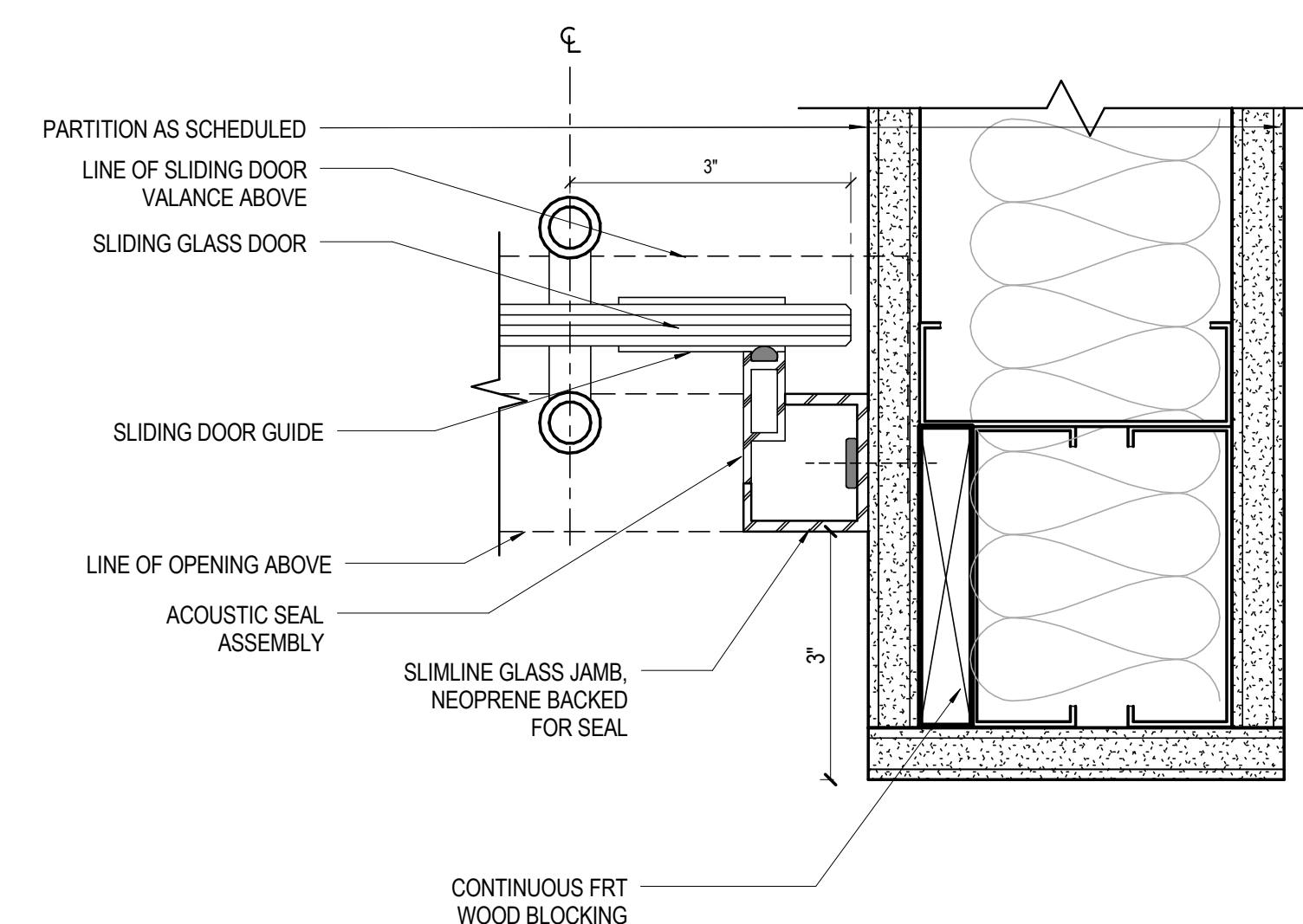
02 GLAZING HEAD DETAIL
SCALE: 6" = 1'-0"



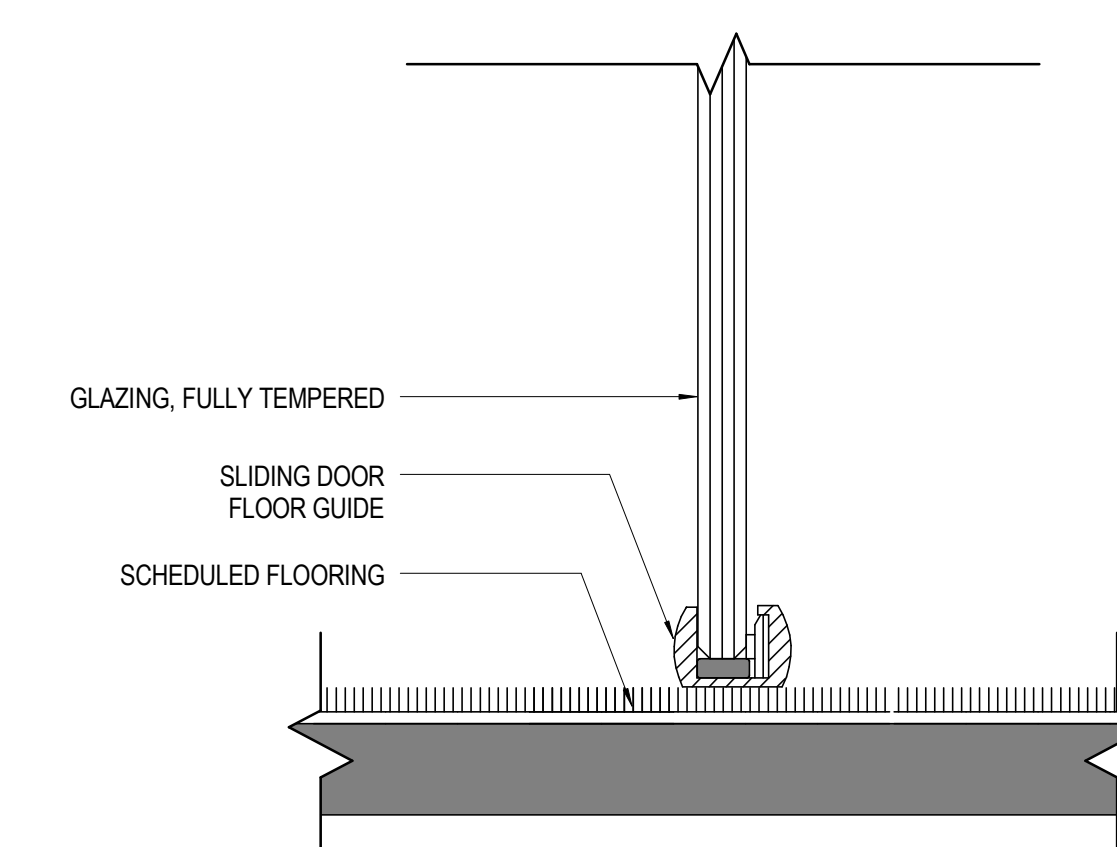
15 GLASS PANEL HEAD DETAIL1
SCALE: 3" = 1'-0"



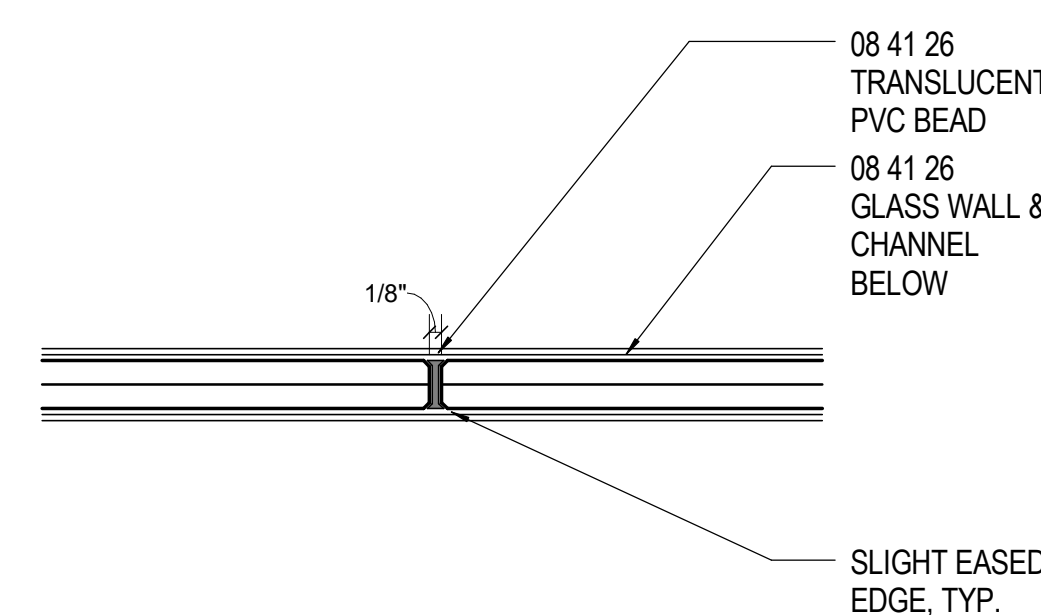
11 GLASS PANEL SILL DETAIL1
SCALE: 6" = 1'-0"



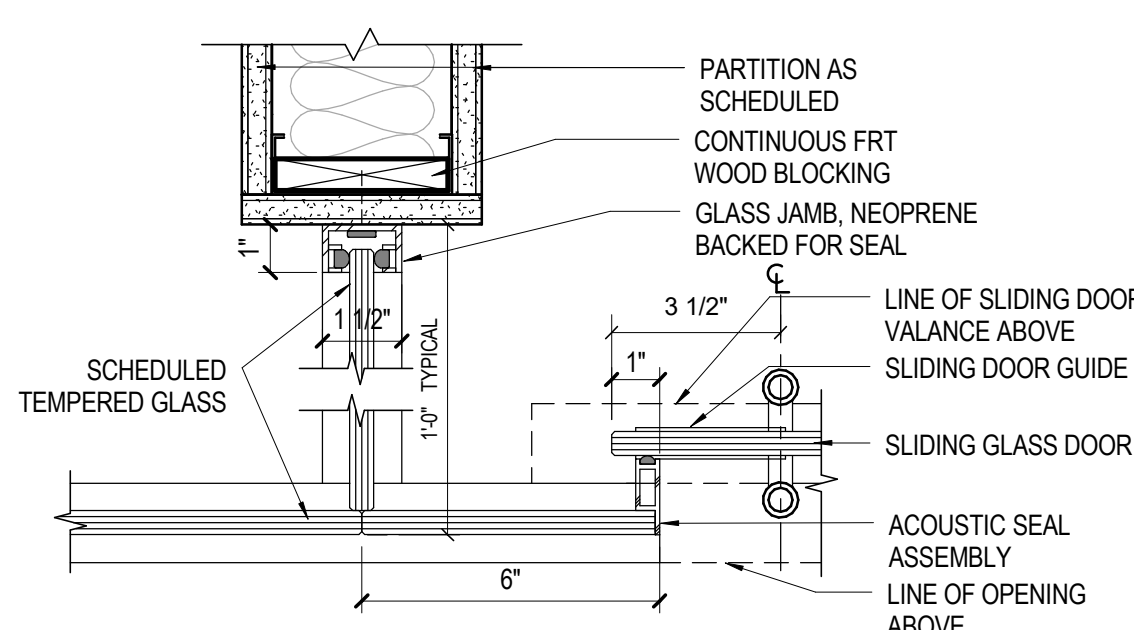
07 SLIDING GLASS JAMB DETAIL
SCALE: 6" = 1'-0"



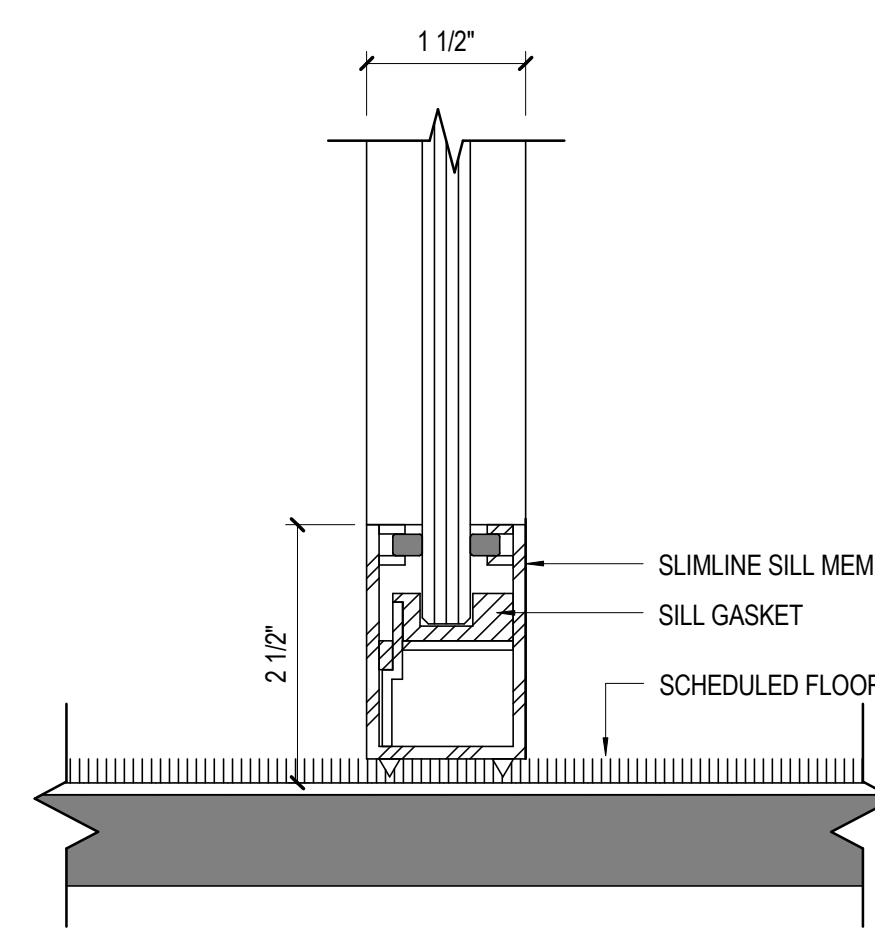
03 SLIDING GLASS DOOR SILL DETAIL
SCALE: 6" = 1'-0"



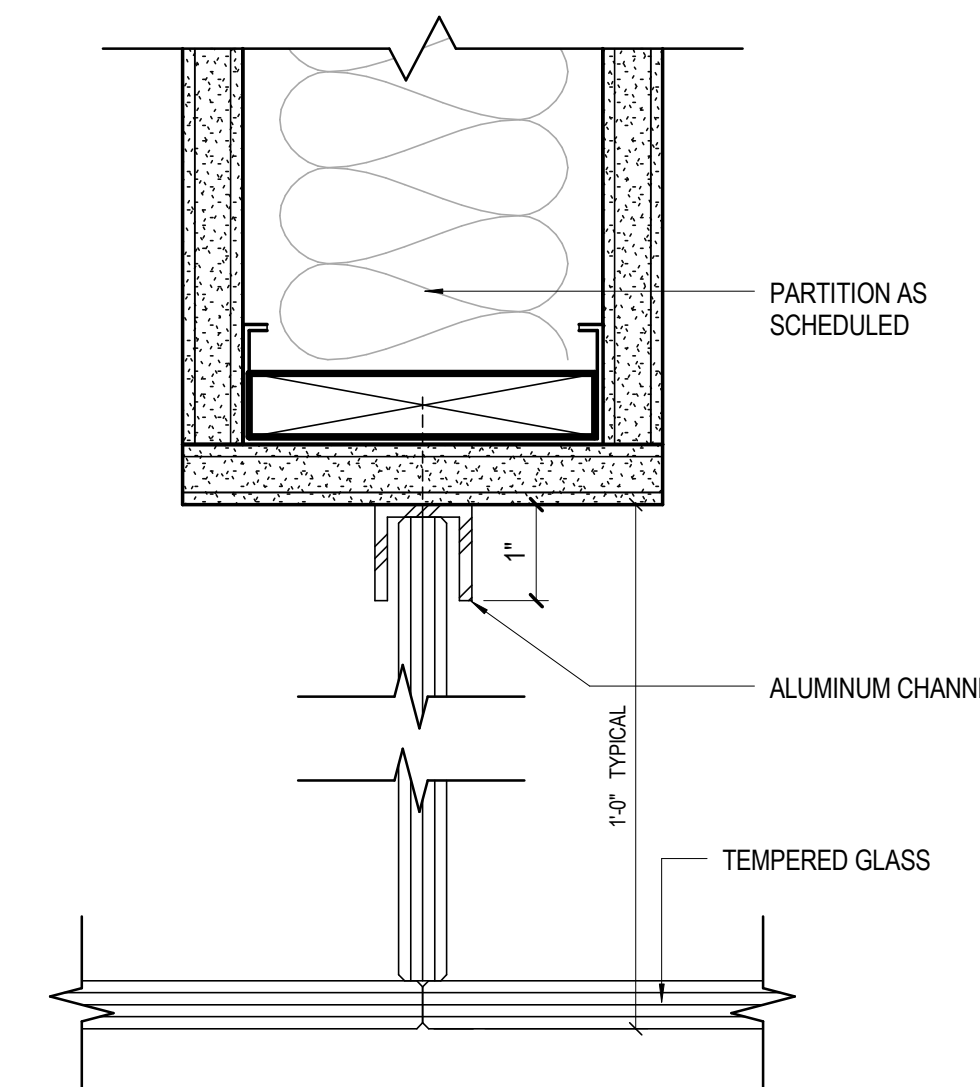
20 TYP. PLAN DETAIL @ GLASS JOINT1
SCALE: 6" = 1'-0"



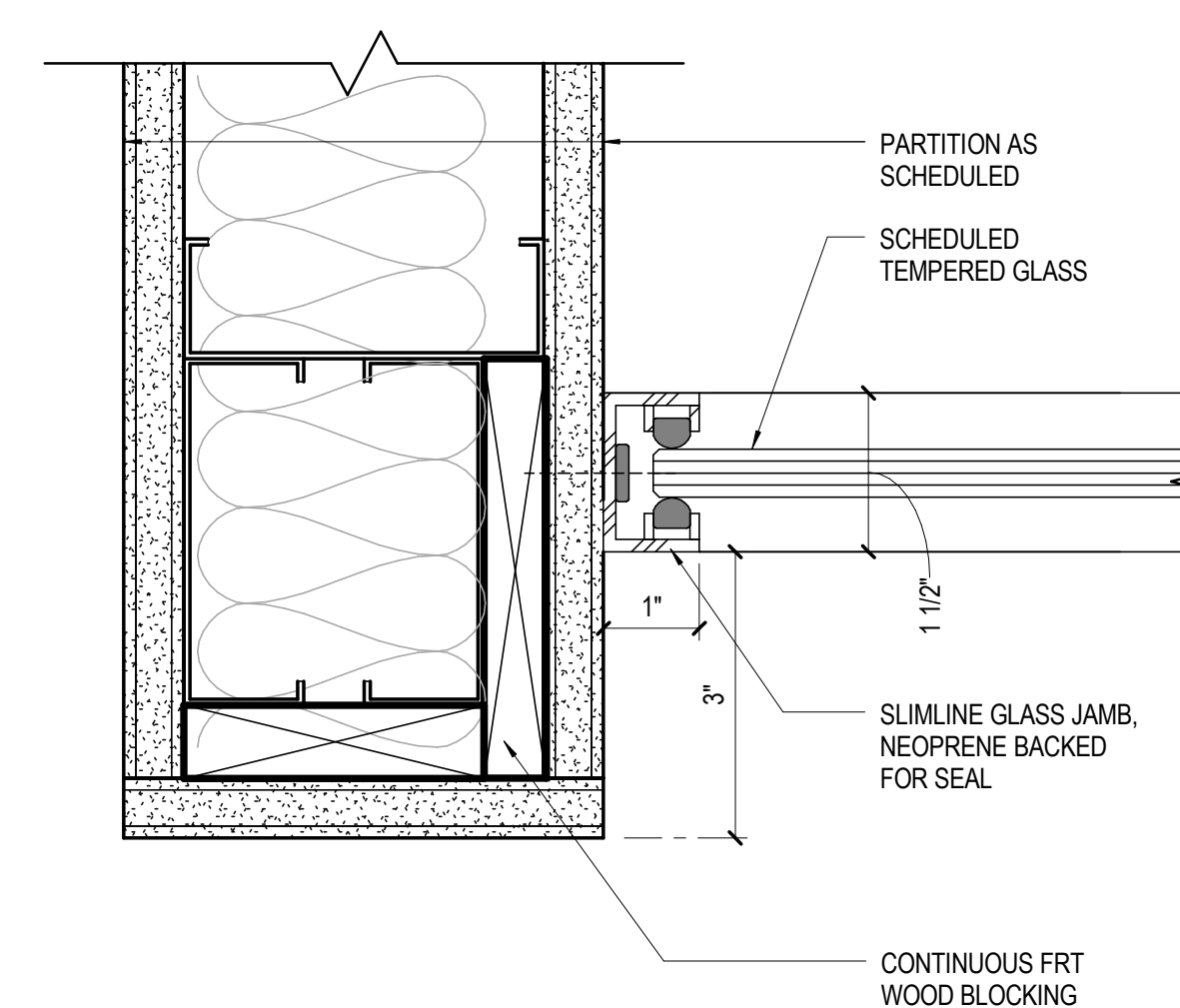
16 SLIDING GLASS DOOR JAMB DETAIL
SCALE: 3" = 1'-0"



12 GLAZING SILL DETAIL1
SCALE: 6" = 1'-0"



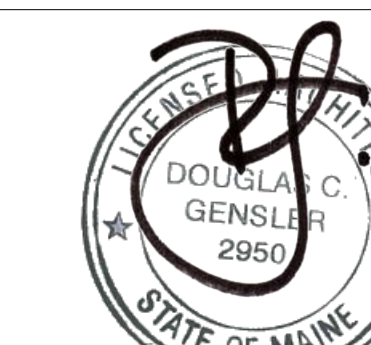
08 GLASS RETURN @ FIXED PANEL
SCALE: 6" = 1'-0"



04 GLASS JAMB DETAIL
SCALE: 6" = 1'-0"

Date	Description
08/18/17	ISSUE FOR PERMIT & CONSTRUCTION
08/25/17	ADDENDUM #1

Seal / Signature



Project Name
Unum Workplace Transformation- Phase 1 (H02)

Project Number
59.6481.003

Description
DOOR AND GLAZING DETAILS

Scale
As indicated

A00.012