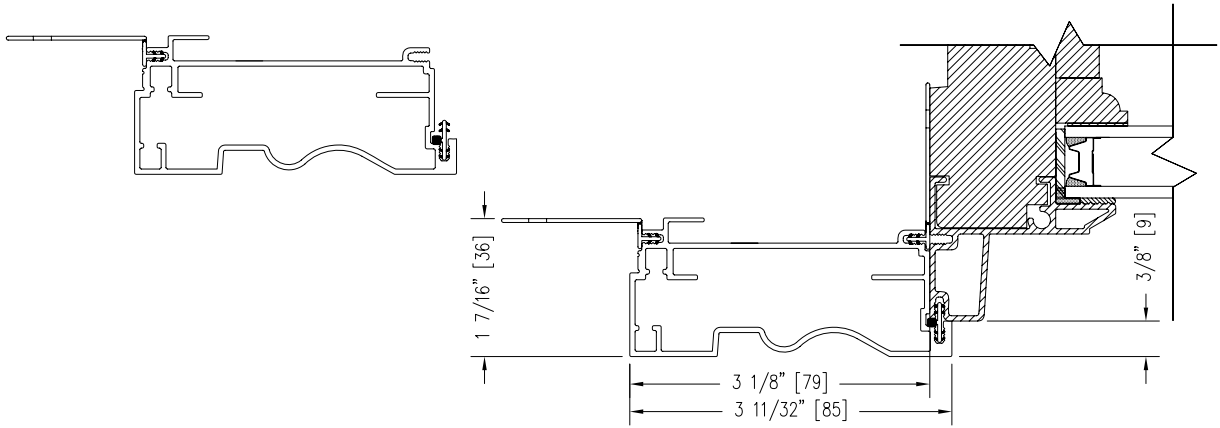
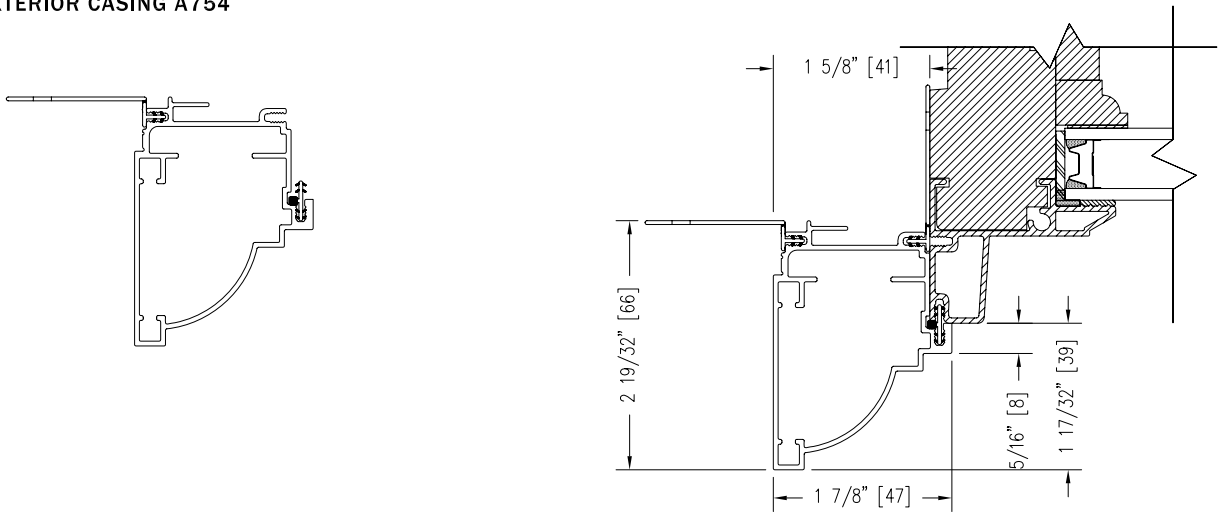


# EXTERIOR CASINGS

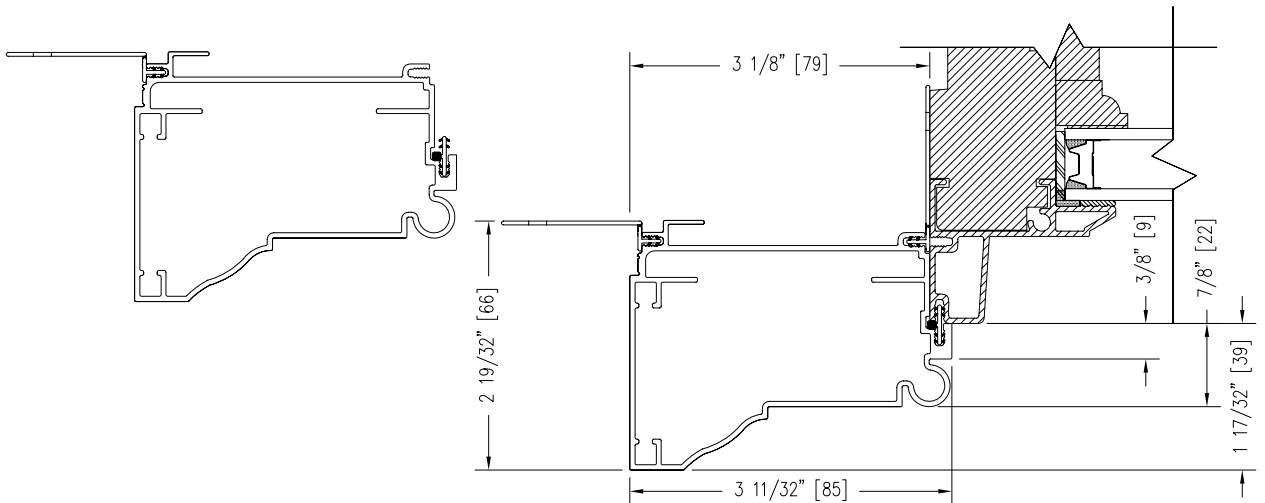
EXTERIOR CASING A756



EXTERIOR CASING A754



EXTERIOR CASING A755



**Notes:**

Dynamically configure section details to your specific needs by going to [EagleWindow.com](http://EagleWindow.com), select Wintelligence. Eagle Window & Door reserves the right to change the specifications without notice.

DRAWING # AD3061  
SCALE: 6"=1'-0"  
REVISION: 2/2/09

