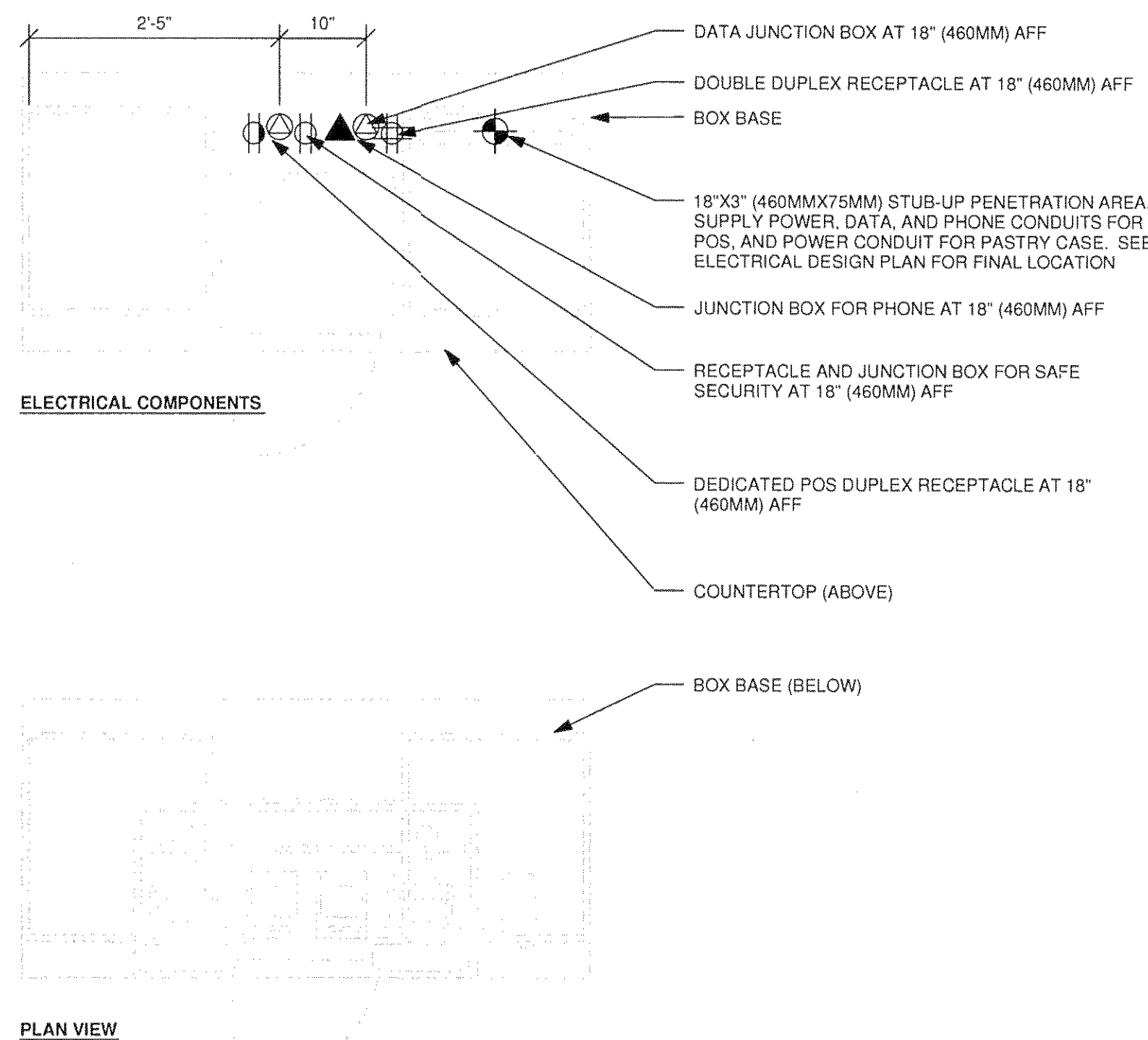
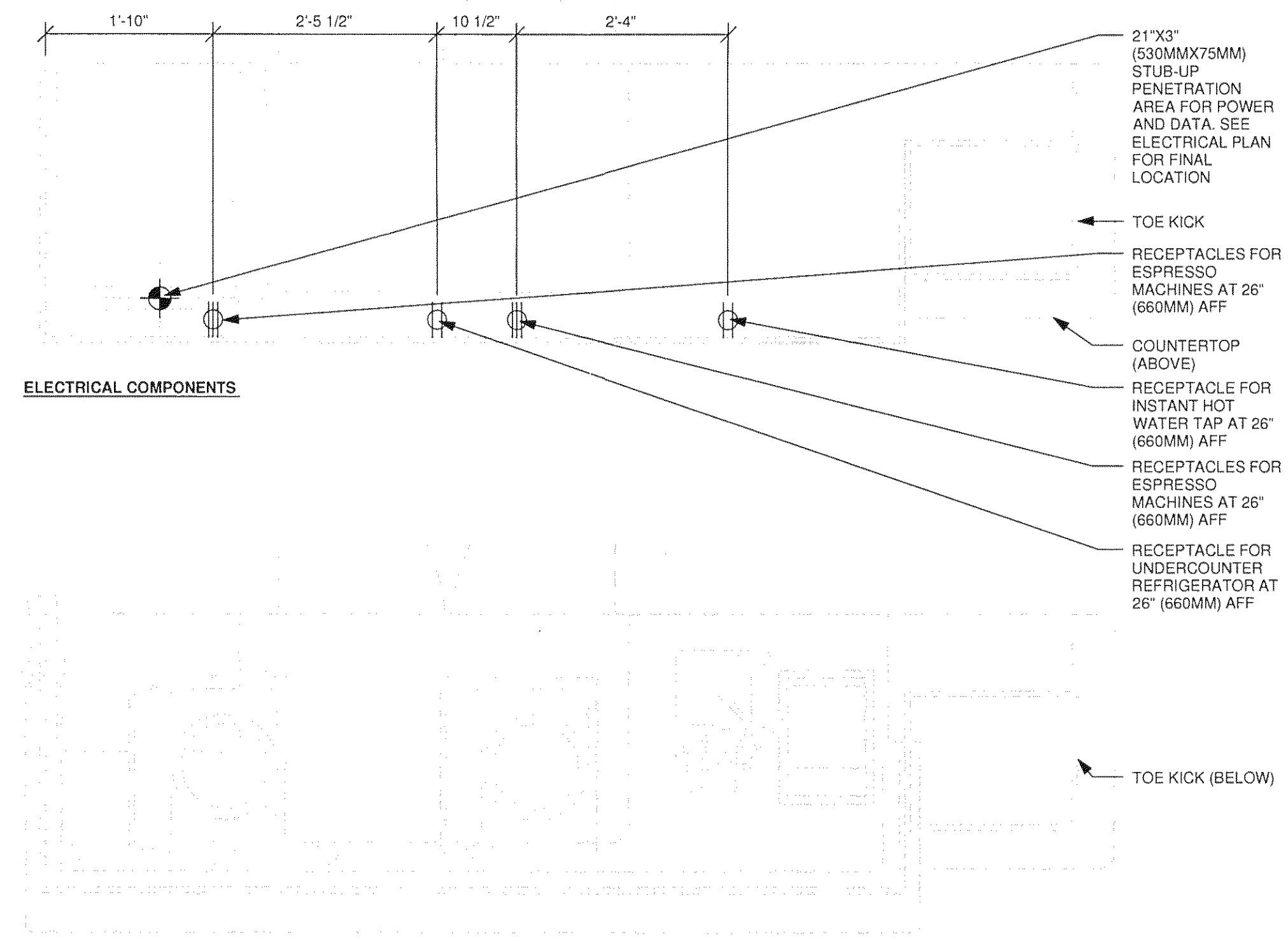


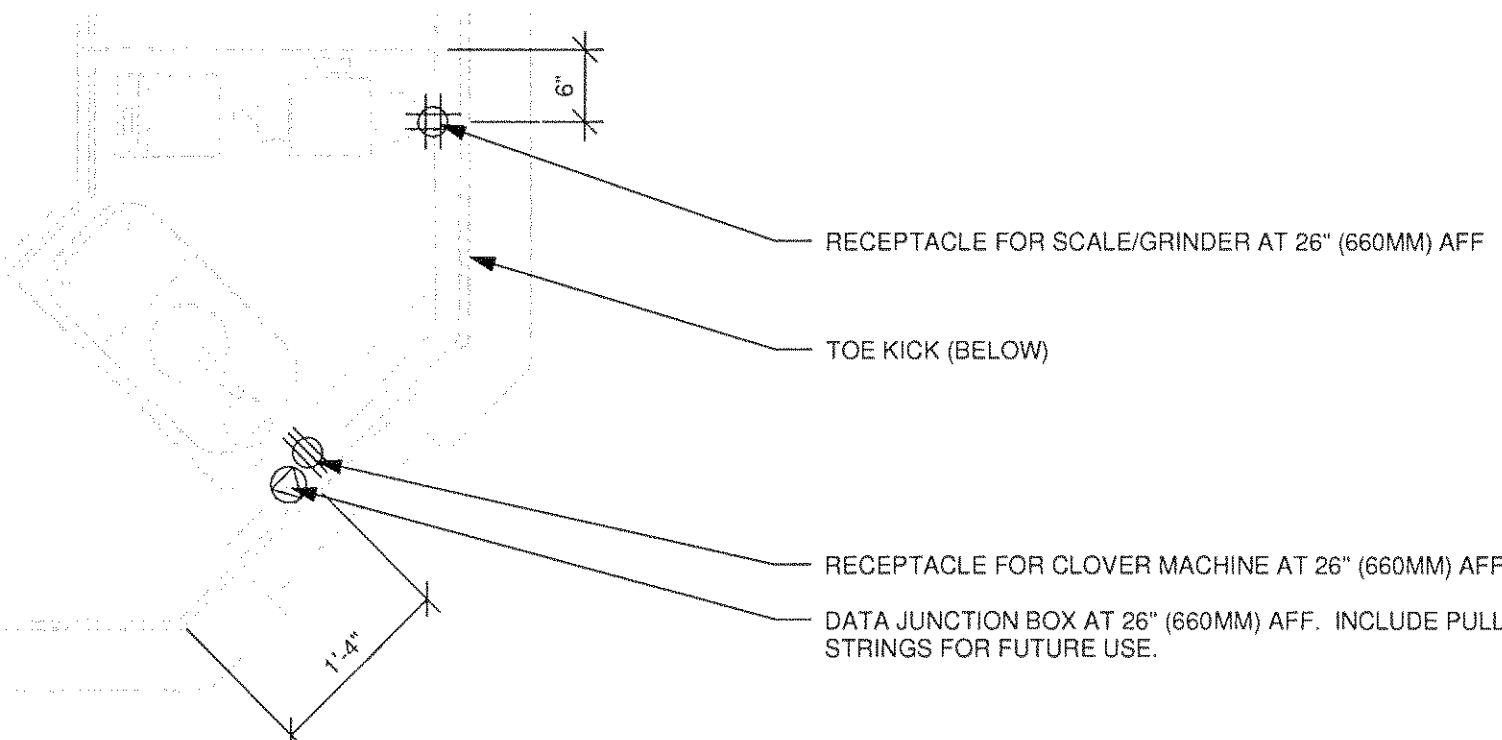
11/22/2013 1:42:43 PM N:\Starbucks\Starbucks Northeast\ME\STRN0127_7433_Hay Building_ME\Implementation\Revit\7433_Hay Building_ME.rvt



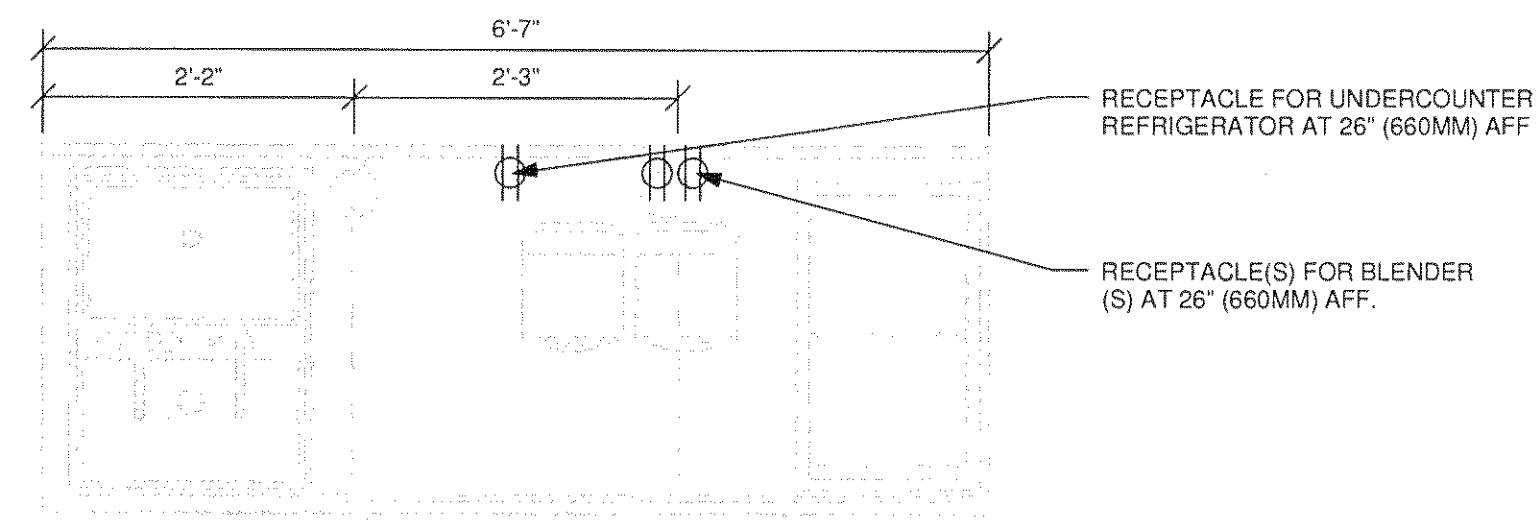
① POS 10 - ELECTRICAL
Scale: 3/4" = 1'-0"



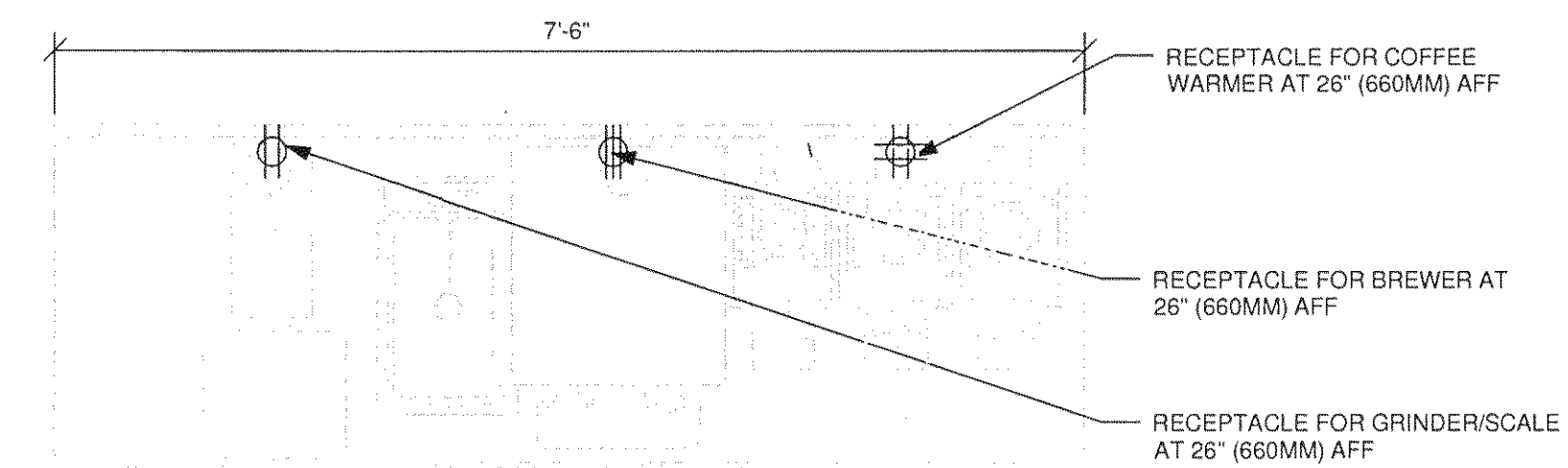
② ESPRESSO 26 - ELECTRICAL
Scale: 3/4" = 1'-0"



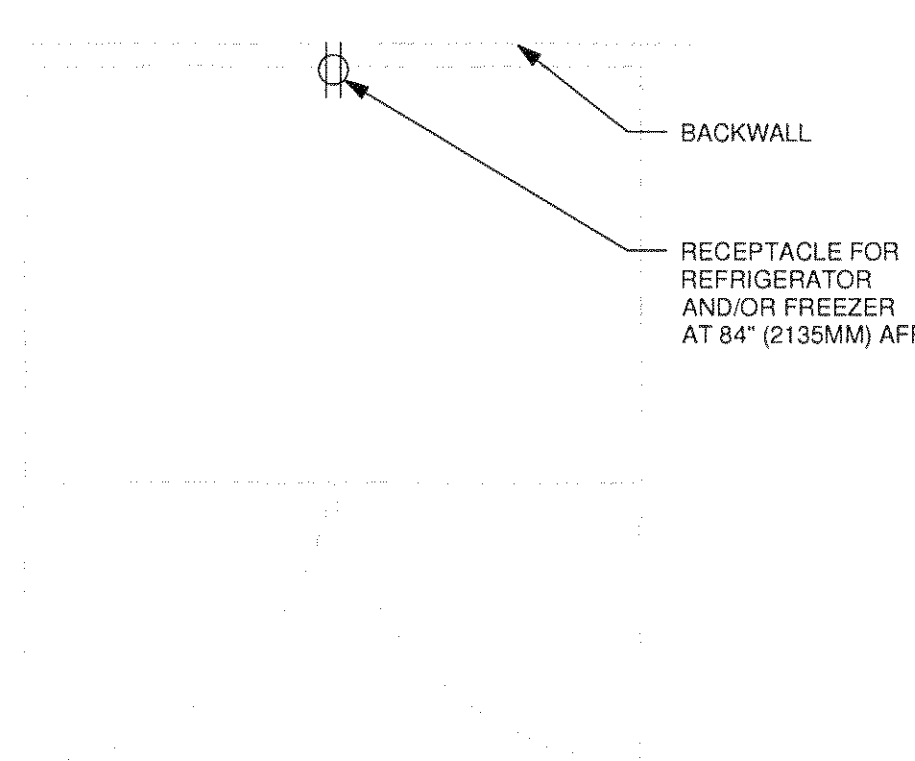
③ RESERVE 02 - ELECTRICAL
Scale: 3/4" = 1'-0"



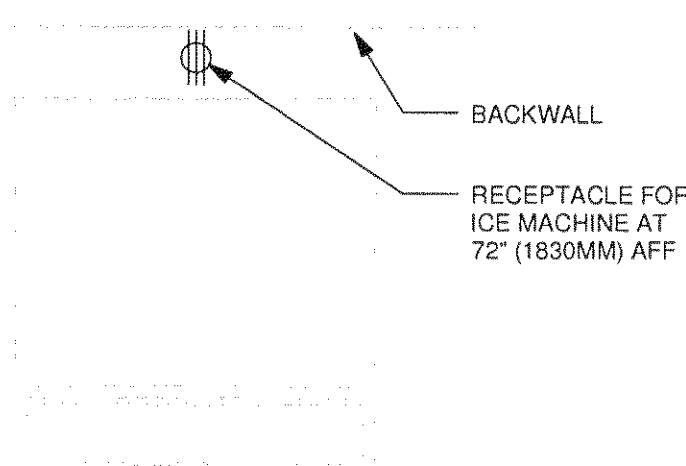
④ CBS 02 - ELECTRICAL
Scale: 3/4" = 1'-0"



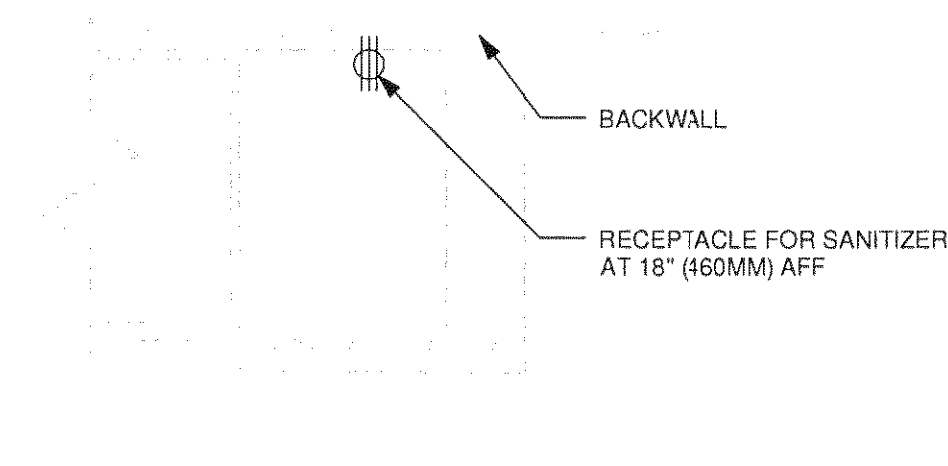
⑤ BREW 04 - ELECTRICAL
Scale: 3/4" = 1'-0"



⑥ REFRIGERATOR - ELECTRICAL
Scale: 3/4" = 1'-0"



⑦ ICE MACHINE - ELECTRICAL
Scale: 3/4" = 1'-0"



⑧ SANITIZING WORKSTATION - ELECTRICAL
Scale: 3/4" = 1'-0"



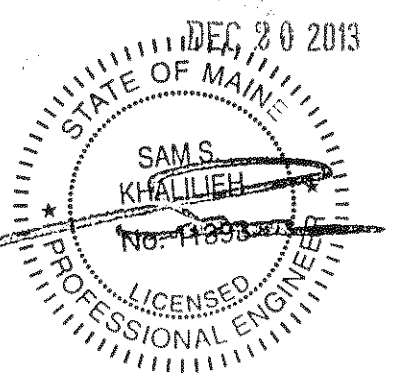
STARBUCKS COFFEE COMPANY
2401 UTAH AVENUE SOUTH
SEATTLE, WASHINGTON 98134
(206) 318-1575

THESE DRAWINGS AND SPECIFICATIONS ARE CONFIDENTIAL AND SHALL REMAIN THE SOLE PROPERTY OF STARBUCKS CORPORATION, WHICH IS THE OWNER OF THE COPYRIGHT IN THIS WORK. THEY SHALL NOT BE REPRODUCED (IN WHOLE OR IN PART), SHARED WITH THIRD PARTIES OR USED IN ANY MANNER ON OTHER PROJECTS OR EXTENSIONS TO THIS PROJECT WITHOUT THE PRIOR WRITTEN CONSENT OF STARBUCKS CORPORATION.

ENGINEER OF RECORD

Revision Schedule			
Rev	Date	By	Description

FULL REMODEL



PROJECT NAME:
HAY BUILDING
PROJECT ADDRESS:
**594 CONGRESS STREET
PORTLAND, ME 04101**

STORE #: 7433
PROJECT #: 04704-026
CONCEPT: NCS
PALETTE: REGIONAL MODERN
ISSUE DATE: 12-16-2013
DESIGN MANAGER: ETA KLIGER
LEED AP: N/A
PRODUCTION DESIGNER: SANKET J.
CHECKED BY: HUSSEIN B.

SHEET TITLE:
ELECTRICAL DETAILS

SCALE: As indicated

SHEET NUMBER:
E-5001