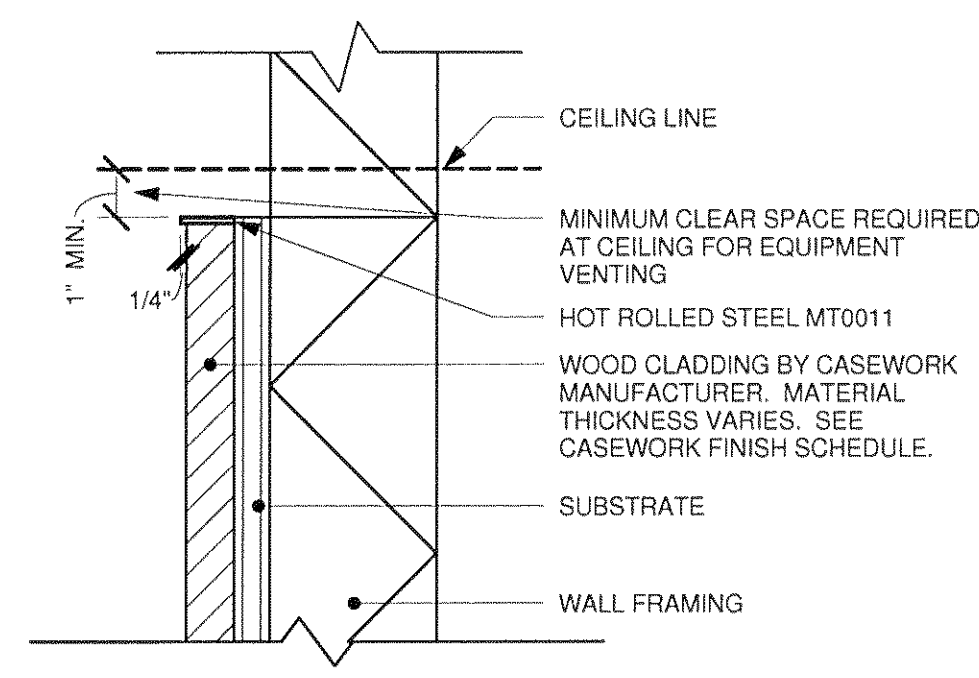
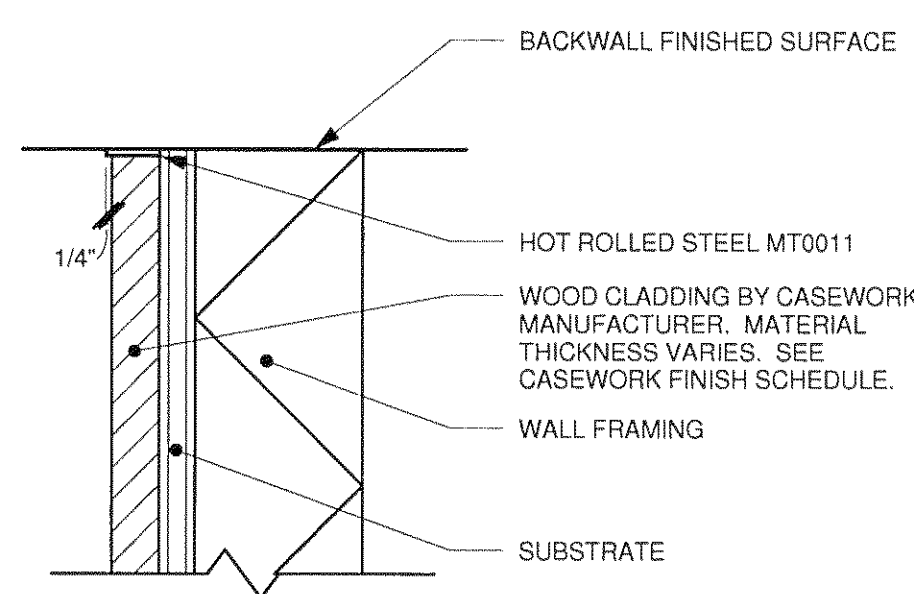


12/17/2013 5:44:24 PM N:\Starbucks\Starbucks Northeast\ME\STRM0127_7433_Hay Building_ME\05_implementation\Revit\7433_Hay Building_ME_OTP.rvt



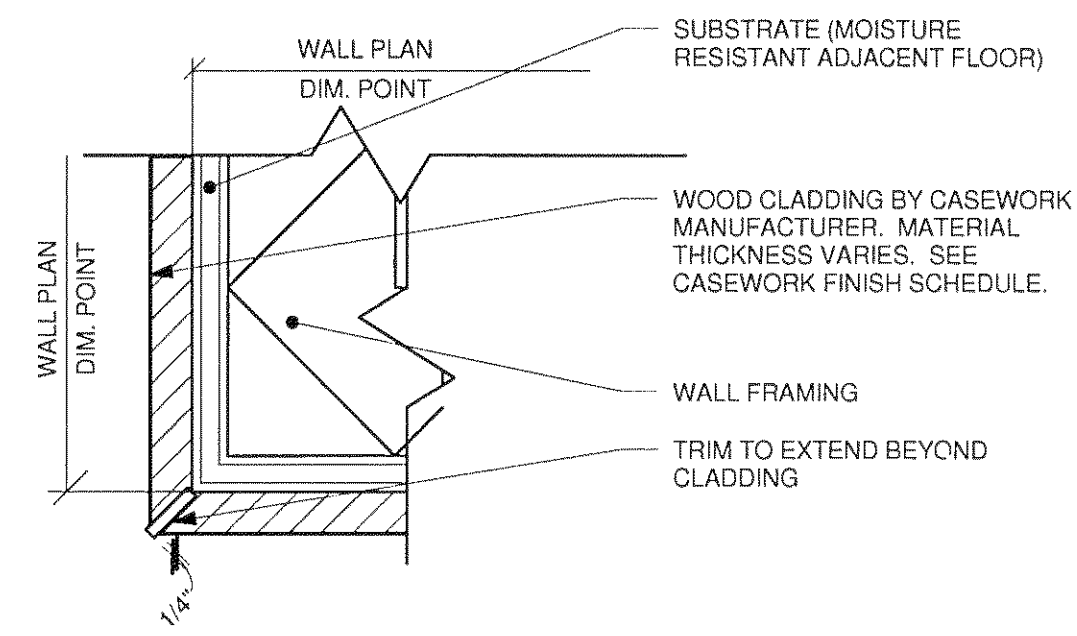
CHILLED WALL CASE DETAIL REFERENCE "F-F"

1 CLADDING AT CEILING
Scale: 3" = 1'-0"



CHILLED WALL CASE DETAIL REFERENCE "X"

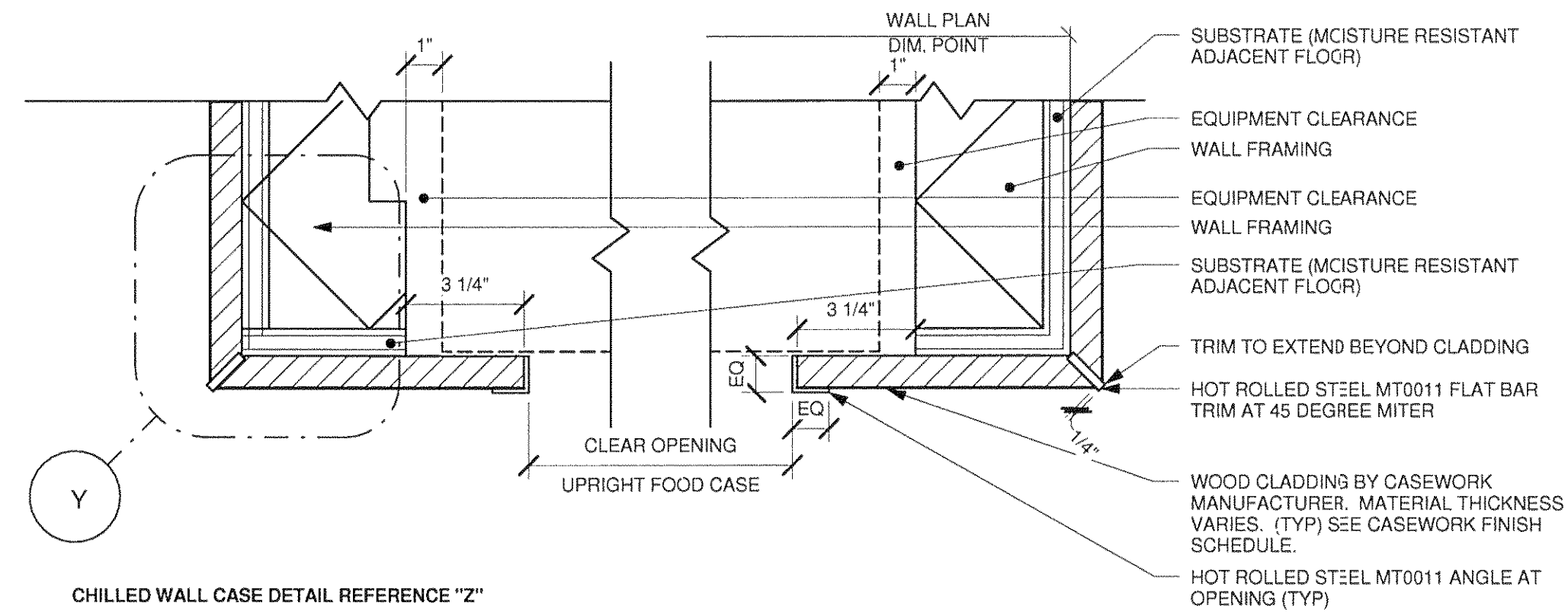
2 CLADDING AT FINISHED WALL
Scale: 3" = 1'-0"



CHILLED WALL CASE DETAIL REFERENCE "Y"

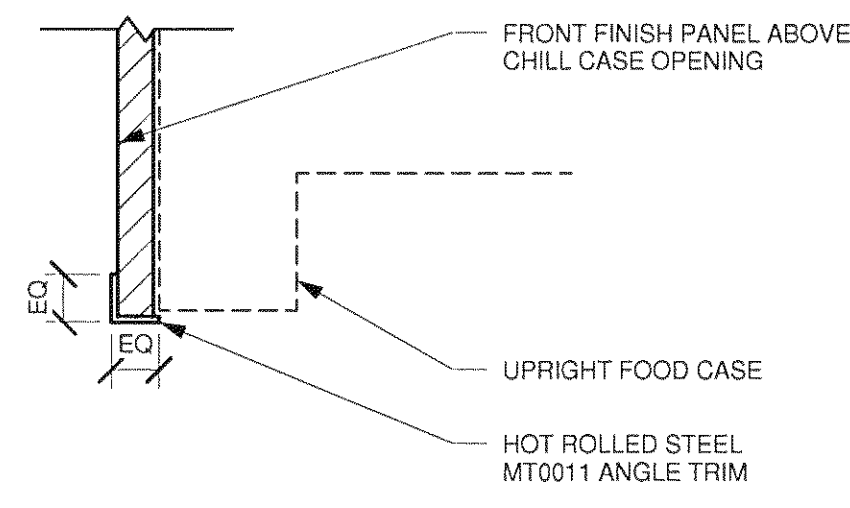
3 CLADDING CORNER
Scale: 3" = 1'-0"

NOTE: FINAL SHOP DRAWINGS TO BE APPROVED BY STARBUCKS DESIGN MANAGER PRIOR TO FABRICATION



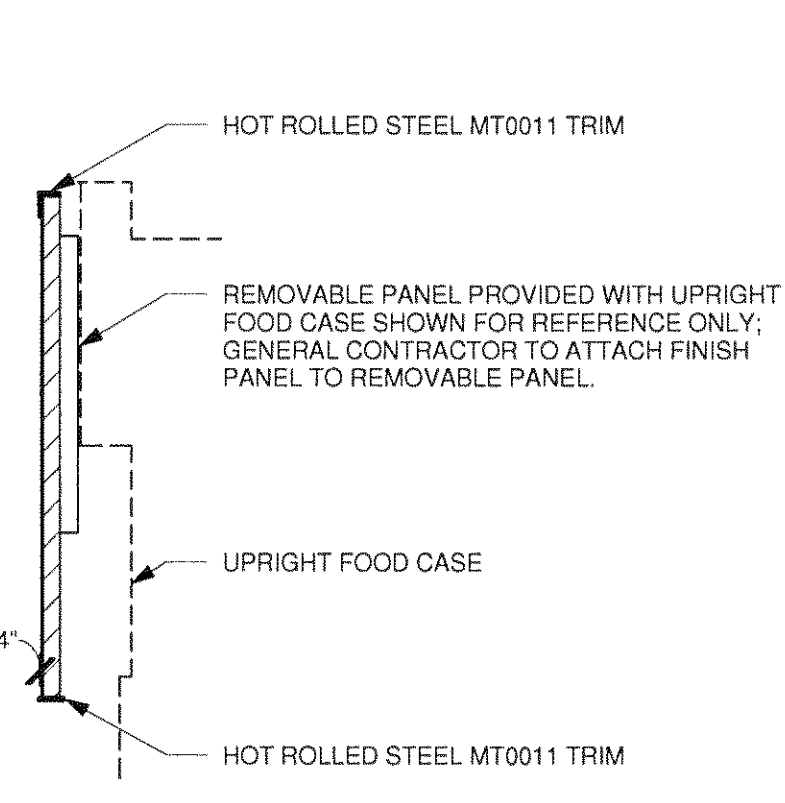
CHILLED WALL CASE DETAIL REFERENCE "Z"

4 CLADDING AT WALL CORNER AND CHILL CASE OPENING - STANDARD
Scale: 3" = 1'-0"



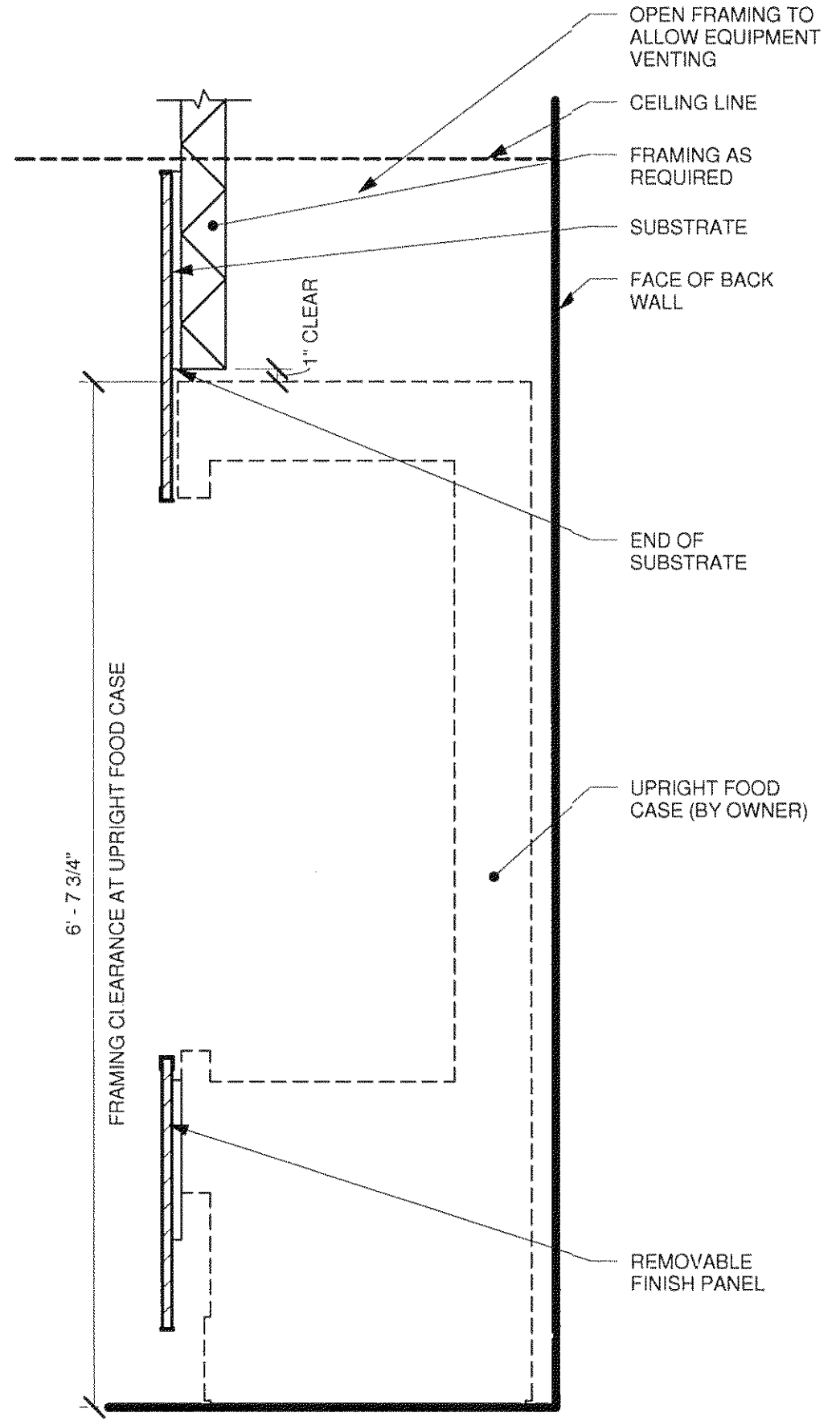
CHILLED WALL CASE DETAIL REFERENCE "D-D"

5 CLADDING AT TOP OF CHILLED CASE OPENING
Scale: 3" = 1'-0"



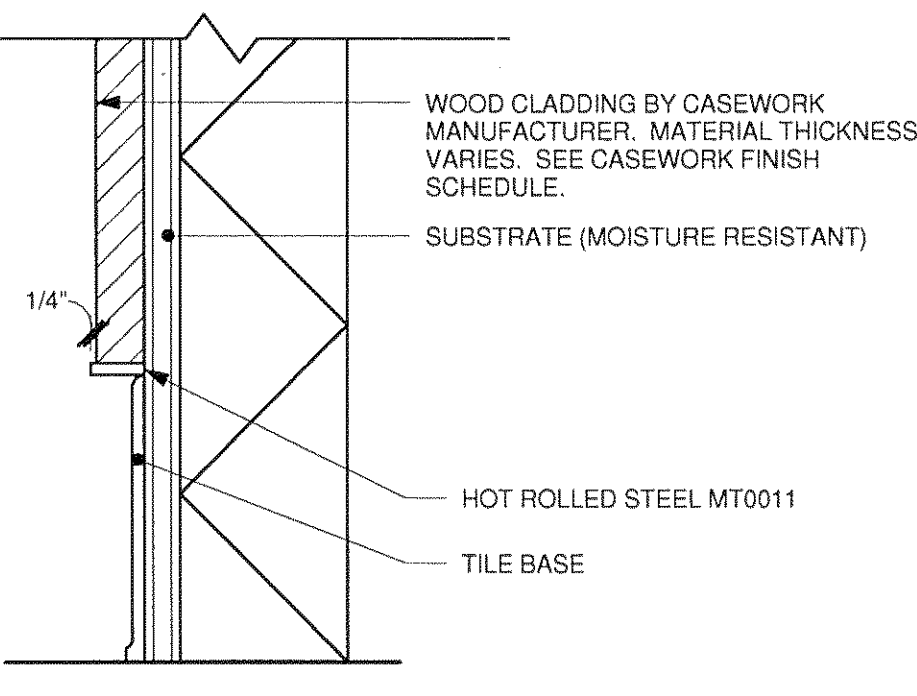
CHILLED WALL CASE DETAIL REFERENCE "C-C"

6 REMOVABLE PANEL AT CHILLED CASE
Scale: 1 1/2" = 1'-0"



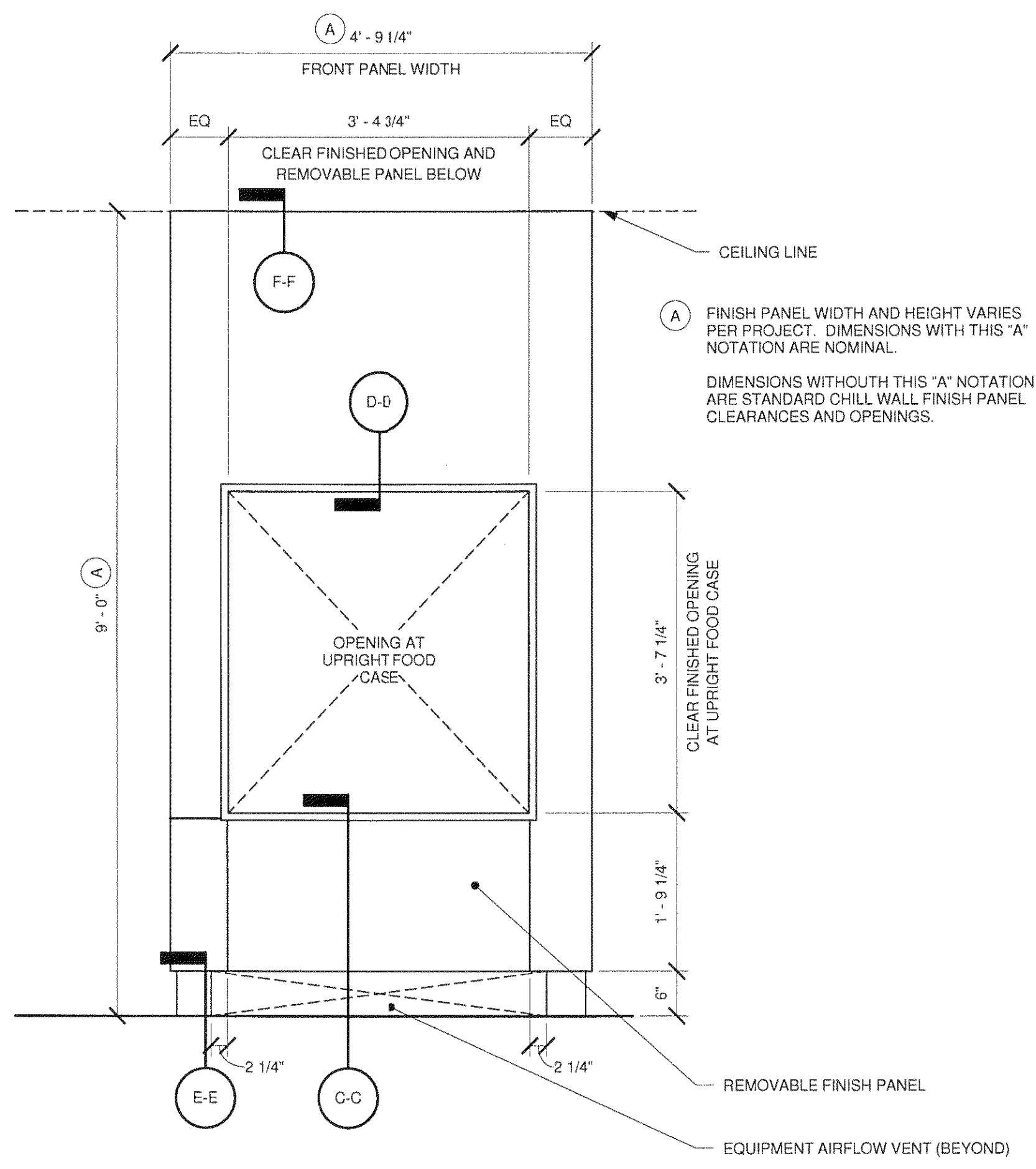
CHILLED WALL CASE DETAIL REFERENCE "A-A"

9 SECTION AT CHILLED WALL CASE
Scale: 1" = 1'-0"

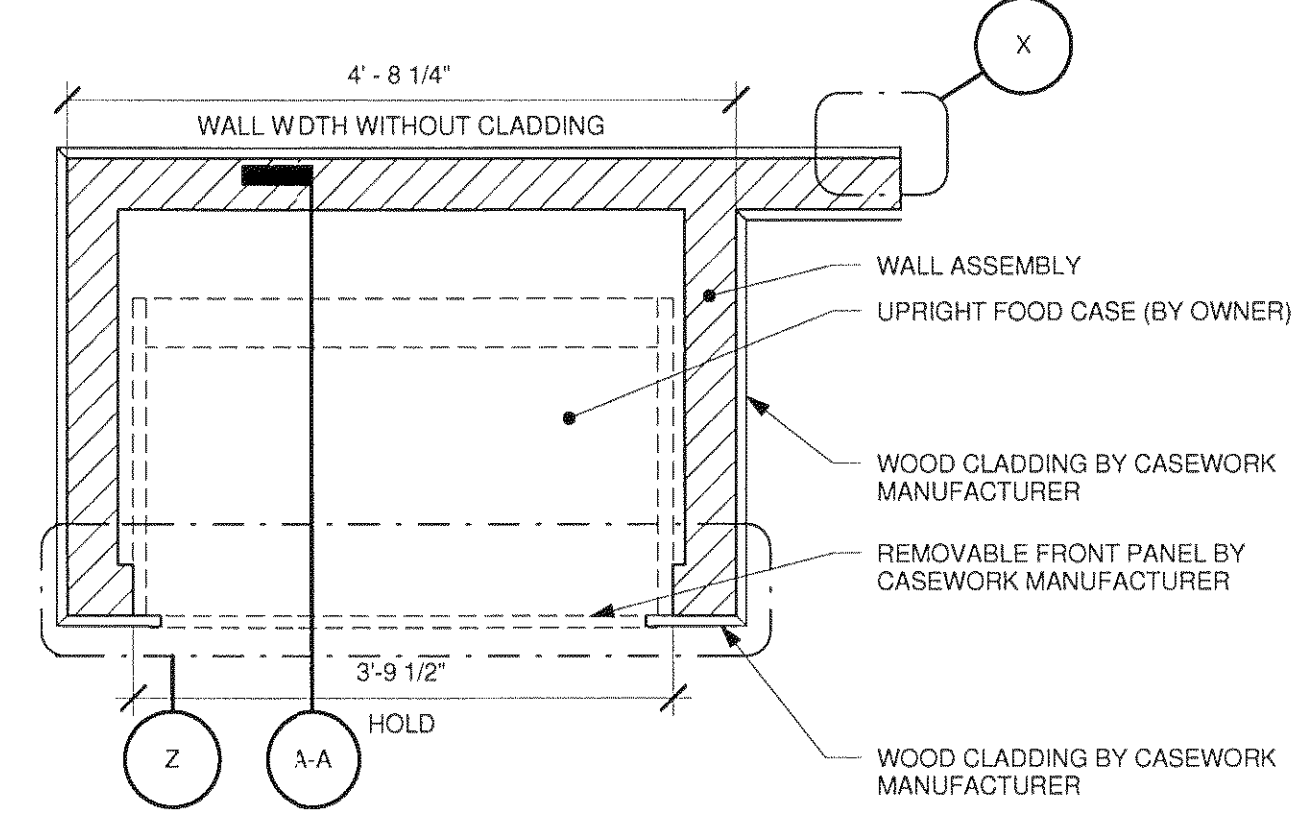


CHILLED WALL CASE DETAIL REFERENCE "E-E"

8 CLADDING AT BASE
Scale: 3" = 1'-0"



7 CWC - WALL ELEVATION
Scale: 3/4" = 1'-0"



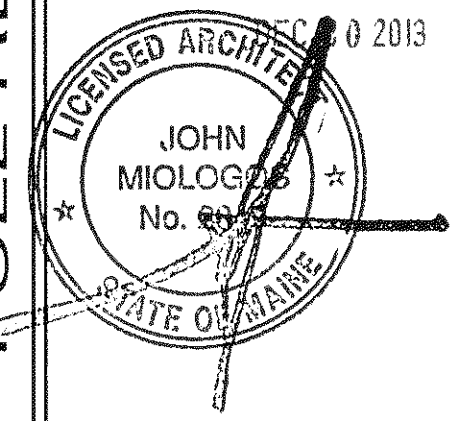
10 CWC - WALL PLAN
Scale: 3/4" = 1'-0"



STARBUCKS COFFEE COMPANY
2401 UTAH AVENUE SOUTH
SEATTLE, WASHINGTON 98134
(206) 318-1575

THESE DRAWINGS AND SPECIFICATIONS ARE CONFIDENTIAL AND SHALL REMAIN THE SOLE PROPERTY OF STARBUCKS CORPORATION, WHICH IS THE OWNER OF THE COPYRIGHT IN THIS WORK. THEY SHALL NOT BE REPRODUCED (IN WHOLE OR IN PART), SHARED WITH THIRD PARTIES OR USED IN ANY MANNER ON OTHER PROJECTS OR EXTENSIONS TO THIS PROJECT WITHOUT THE PRIOR WRITTEN CONSENT OF STARBUCKS CORPORATION.

Revision Schedule			
Rev	Date	By	Description



FULL REMODEL

PROJECT NAME: HAY BUILDING
PROJECT ADDRESS: 594 CONGRESS STREET
PORTLAND, ME 04101
COUNTY: CUMBERLAND

STORE #: 7433
PROJECT #: 04704-026
CONCEPT: NCS
PALETTE: REGIONAL MODERN
ISSUE DATE: 12-16-2013
DESIGN MANAGER: ETA KLIGER
LEED® AP: N/A
PRODUCTION DESIGNER: J. NEAL
CHECKED BY: T. REISING

SHEET TITLE: CWC DETAILS

SCALE: As indicated

SHEET NUMBER: I-5005