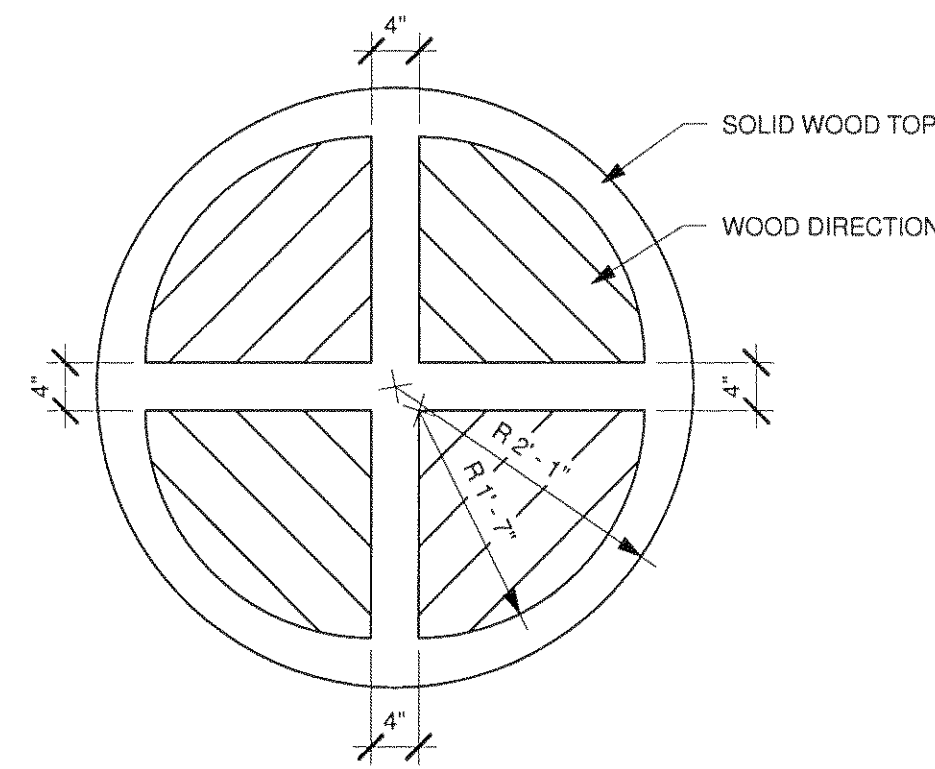
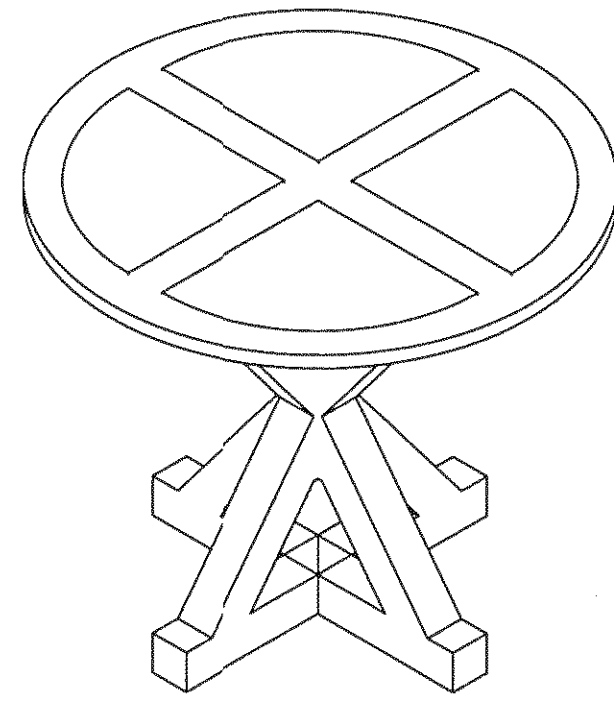


12/17/2013 5:44:17 PM N:\Starbucks\Starbucks Northeast\ME\STRM0127_7433_Hay Building_ME\05_implementation\Revit\7433 Hay Building_ME_OTP.rvt

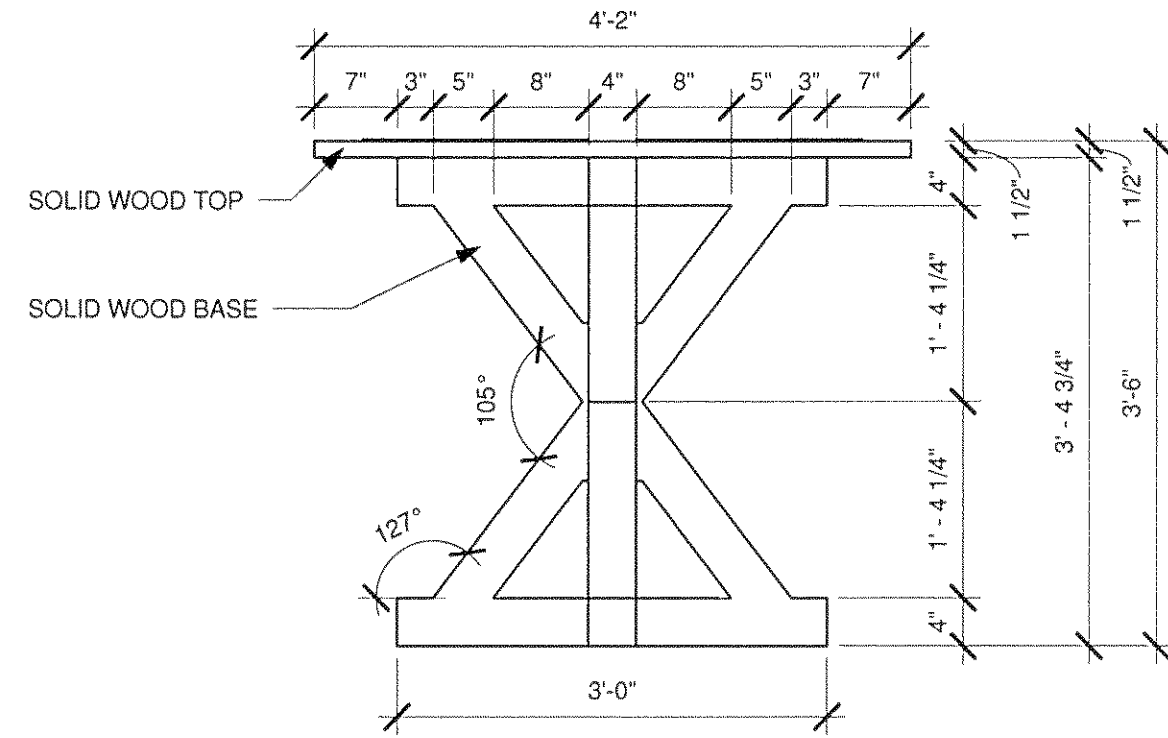


PLAN

NOTE: REFER TO CASEWORK FINISH SCHEDULE



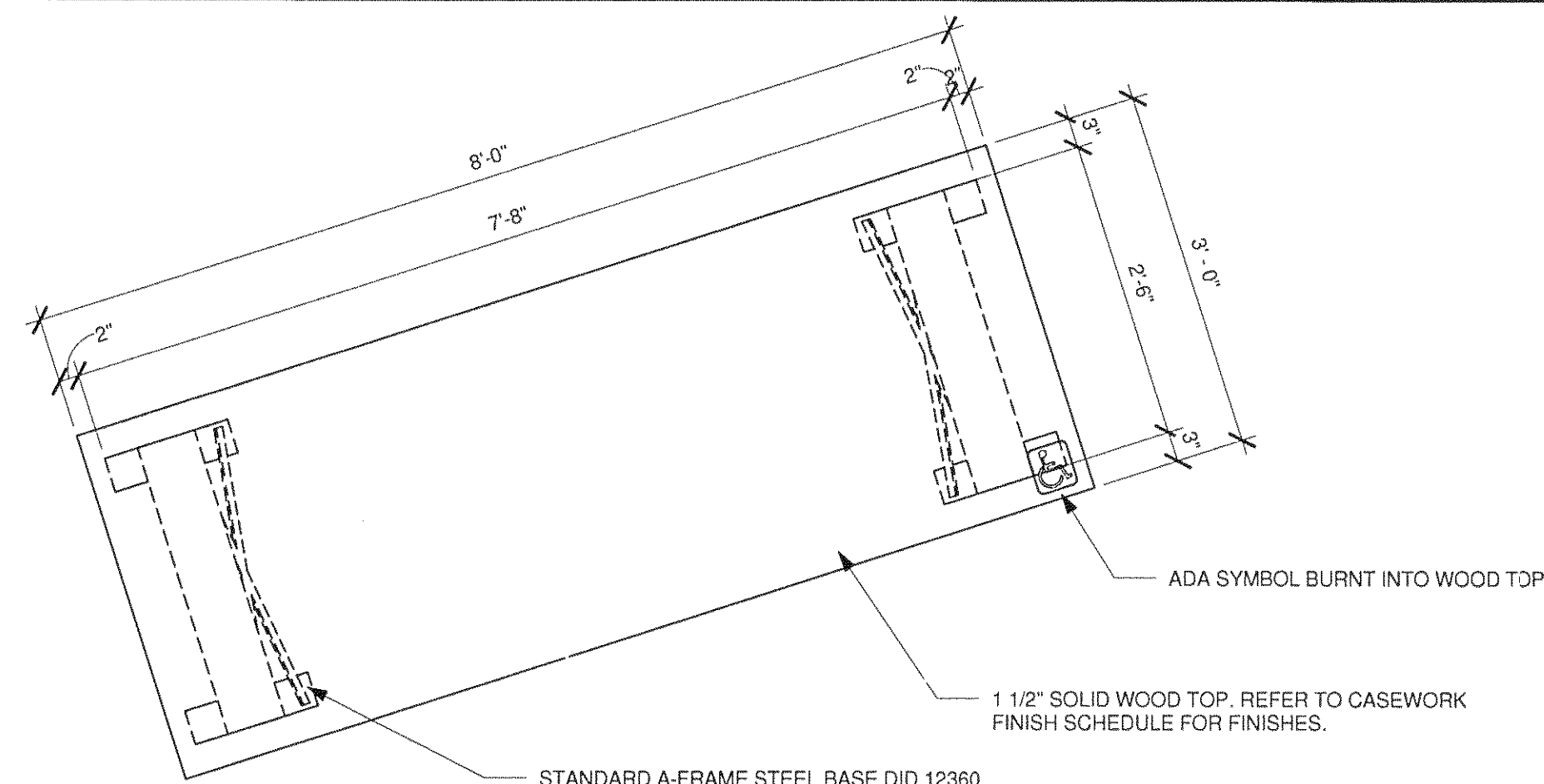
ORTHO



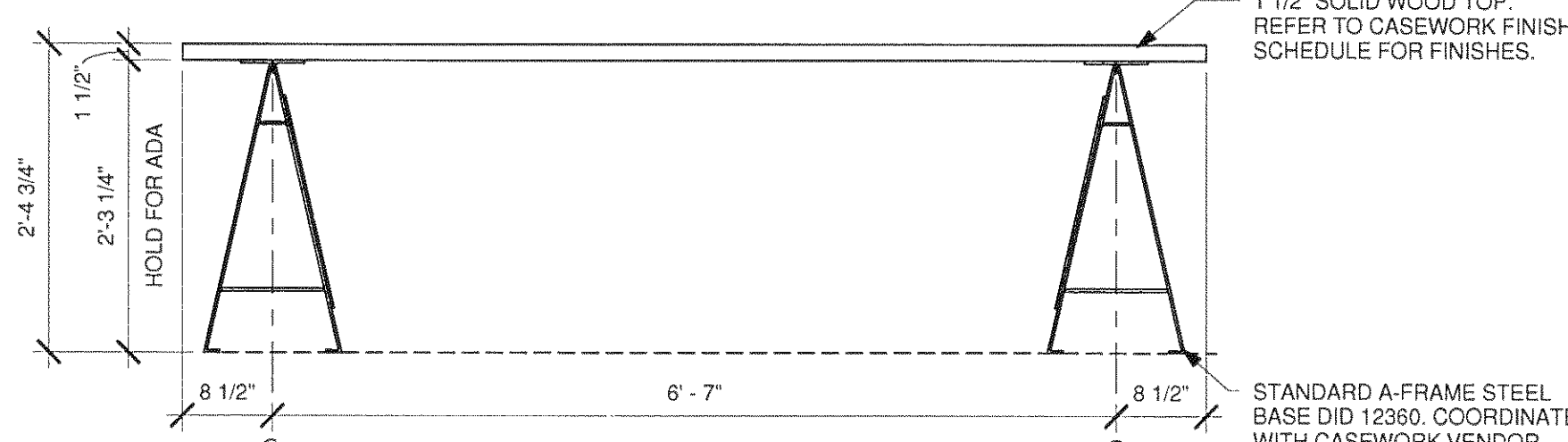
ELEVATION

1 X0308 TASTING TABLE

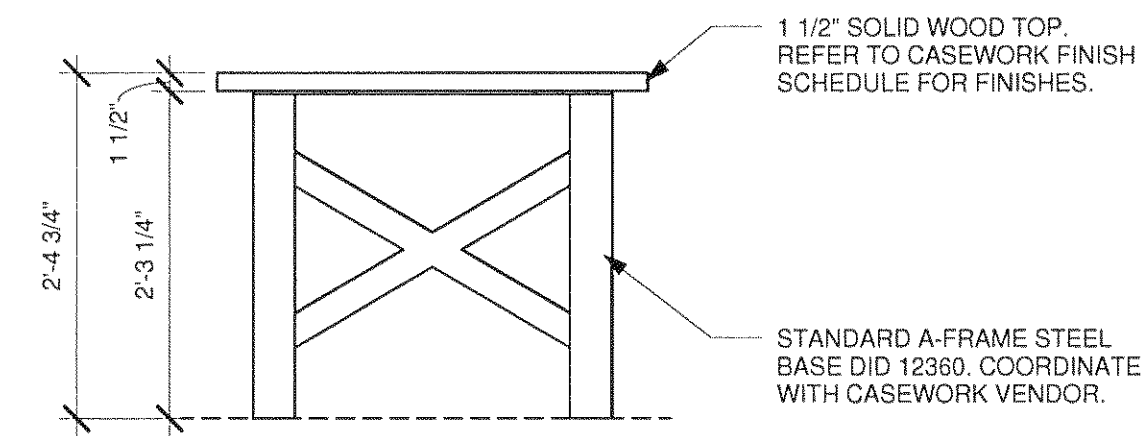
Scale: 3/4" = 1'-0"



PLAN



FRONT ELEVATION



SIDE ELEVATION

2 X0309 CUSTOM COMMUNITY TABLE

Scale: 3/4" = 1'-0"

NOTE: FINAL SHOP DRAWINGS TO BE APPROVED BY STARBUCKS DESIGN MANAGER PRIOR TO FABRICATION



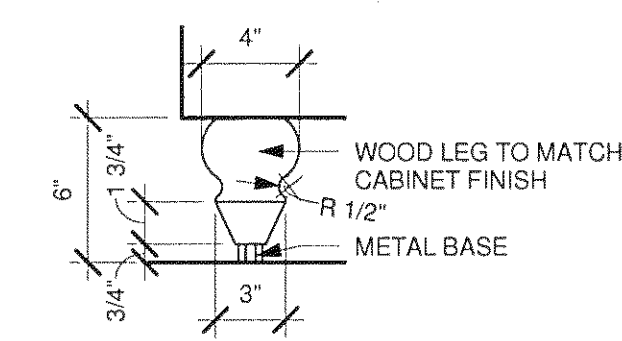
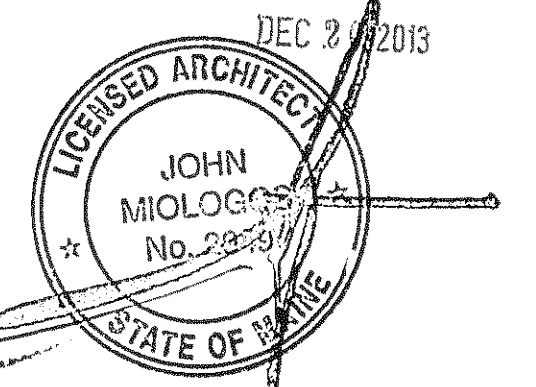
STARBUCKS COFFEE COMPANY
2401 UTAH AVENUE SOUTH
SEATTLE, WASHINGTON 98134
(206) 318-1575

THESE DRAWINGS AND SPECIFICATIONS ARE CONFIDENTIAL AND SHALL REMAIN THE SOLE PROPERTY OF STARBUCKS CORPORATION WHICH IS THE OWNER OF THE COPYRIGHT IN THIS WORK. THEY SHALL NOT BE REPRODUCED (IN WHOLE OR IN PART), SHARED WITH THIRD PARTIES OR USED IN ANY MANNER ON OTHER PROJECTS OR EXTENSIONS TO THIS PROJECT WITHOUT THE PRIOR WRITTEN CONSENT OF STARBUCKS CORPORATION.

Revision Schedule

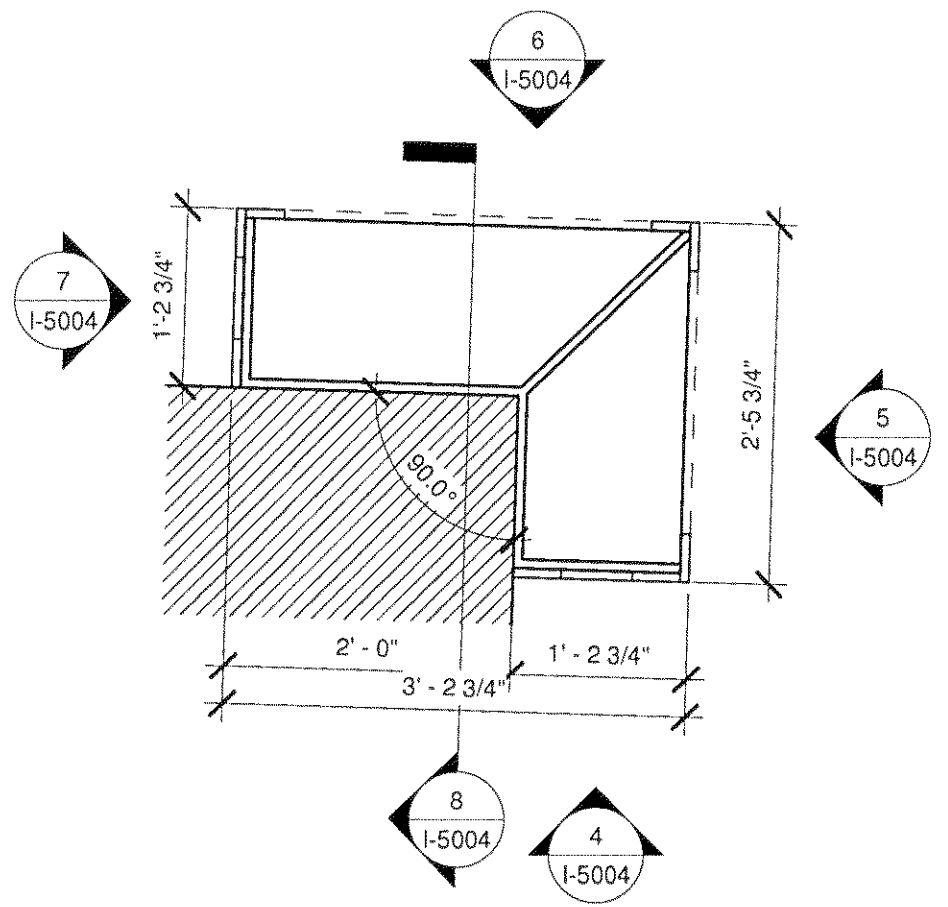
| Rev | Date | By | Description |
|-----|------|----|-------------|
| | | | |
| | | | |
| | | | |
| | | | |
| | | | |

FULL REMODEL



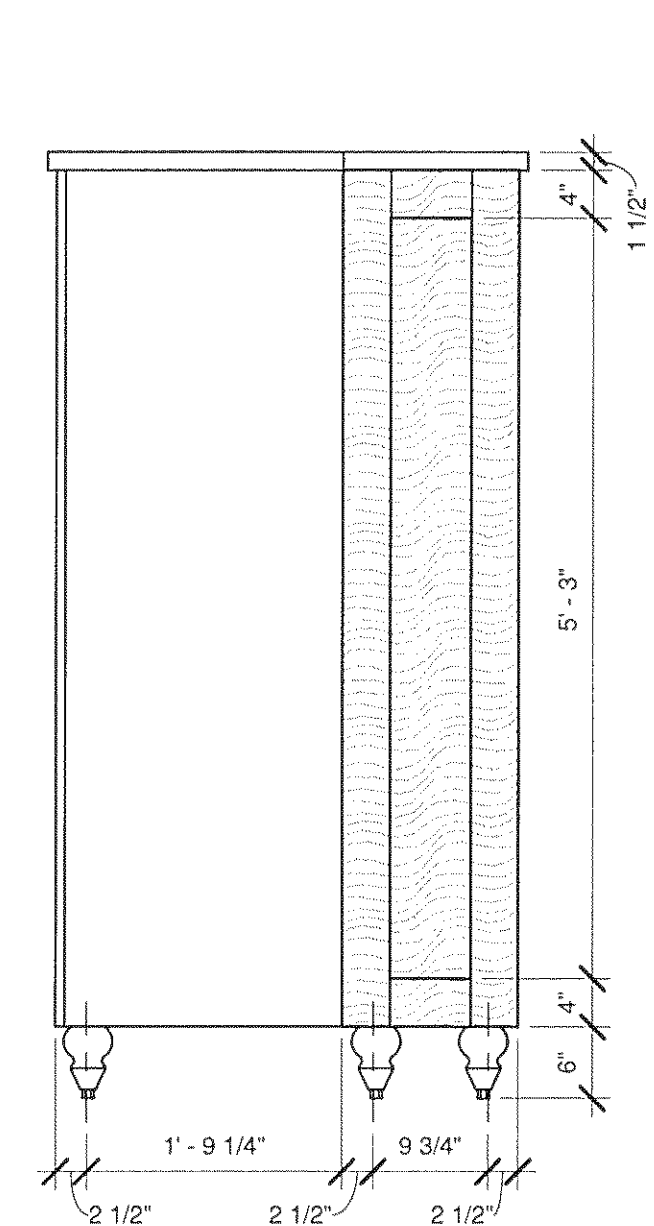
9 LEG DETAIL

Scale: 1 1/2" = 1'-0"



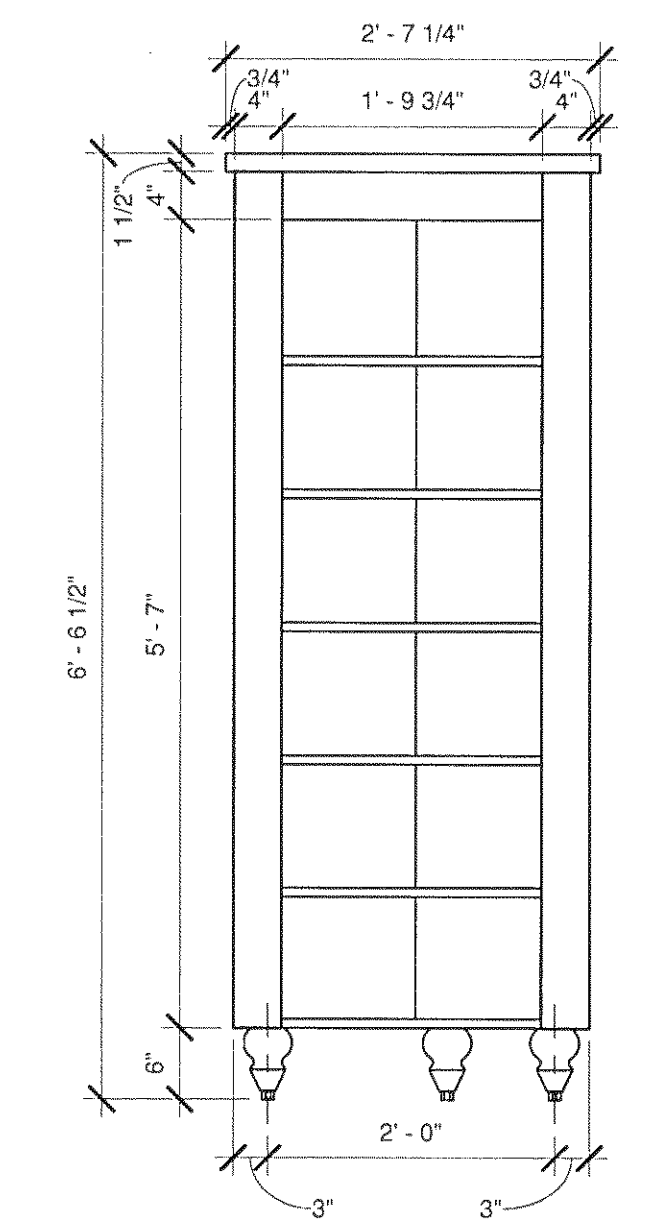
3 X0310 TALL MERCH

Scale: 3/4" = 1'-0"



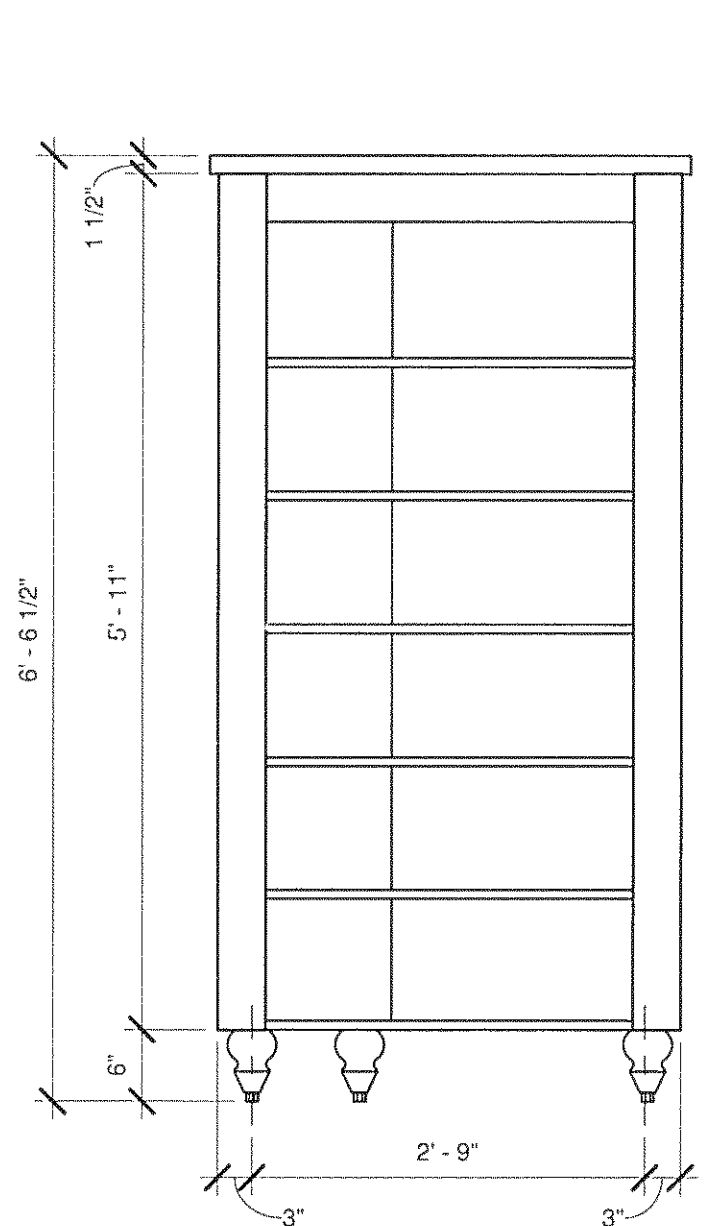
4 PLAN SOUTH ELEVATION

Scale: 3/4" = 1'-0"



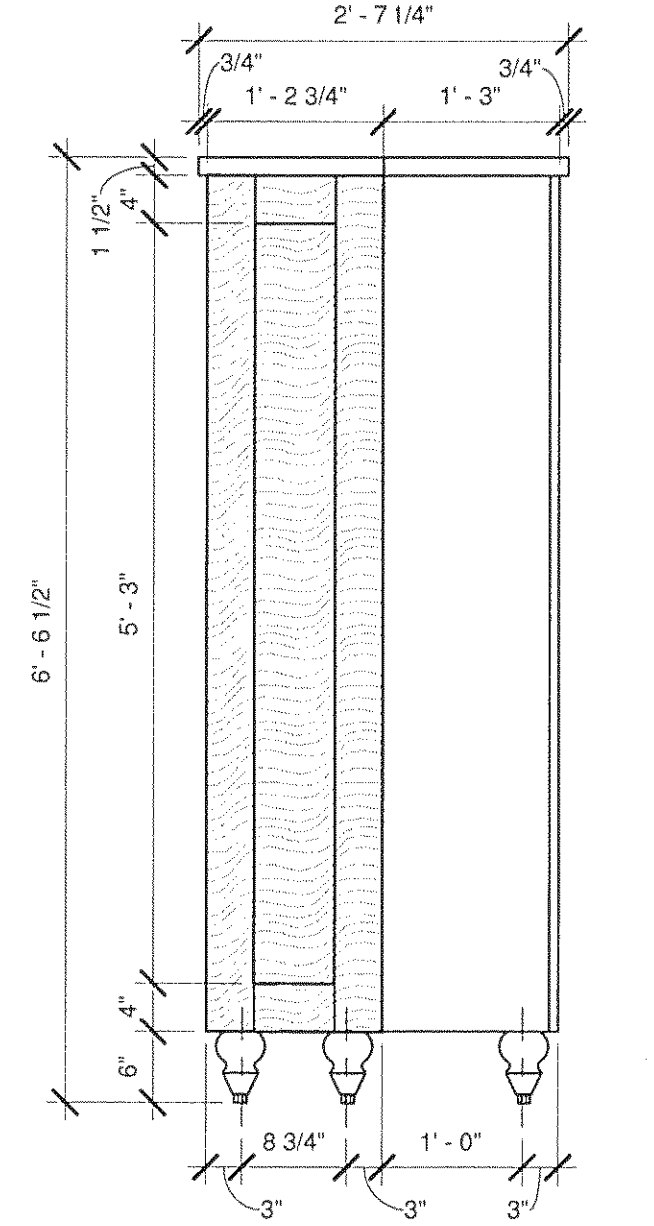
5 PLAN EAST ELEVATION

Scale: 3/4" = 1'-0"



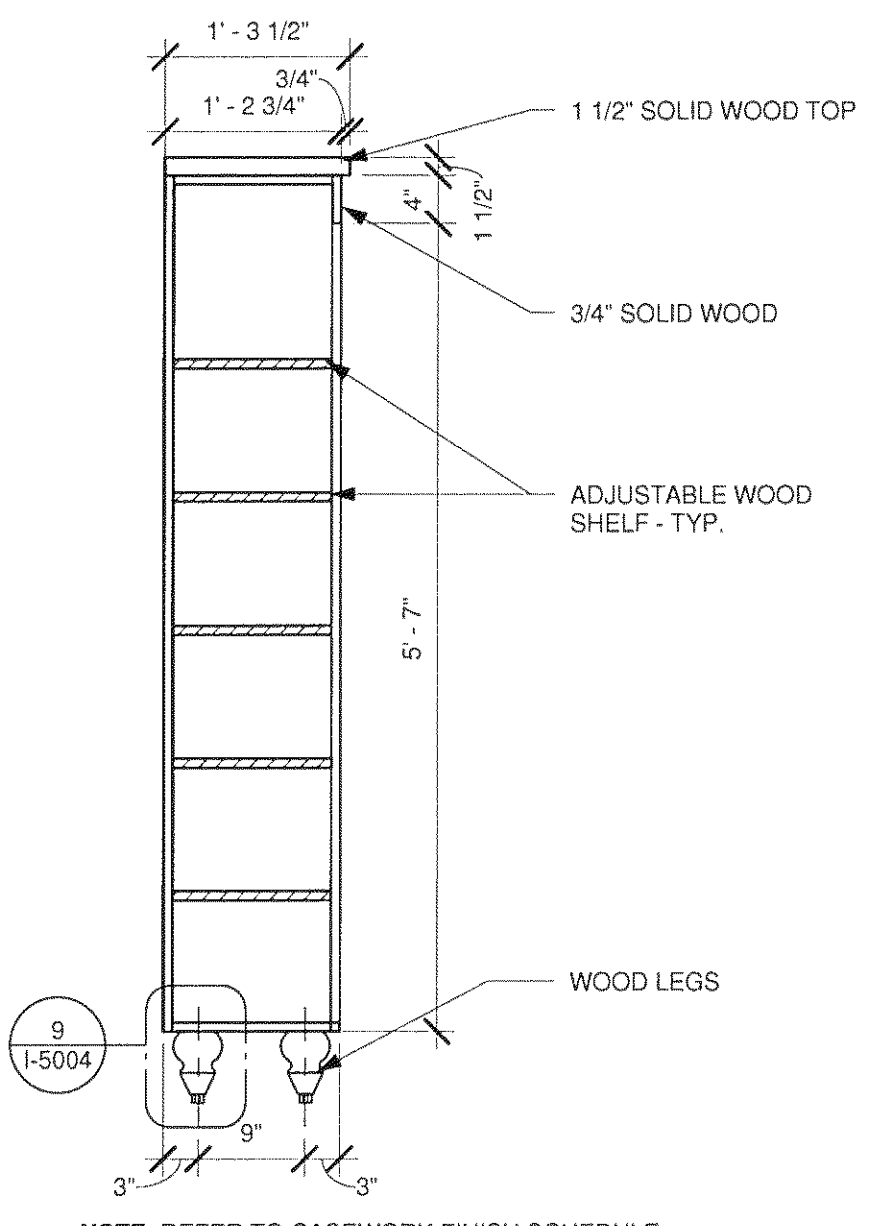
6 PLAN NORTH ELEVATION

Scale: 3/4" = 1'-0"



7 PLAN WEST ELEVATION

Scale: 3/4" = 1'-0"



8 SECTION

Scale: 3/4" = 1'-0"

NOTE: REFER TO CASEWORK FINISH SCHEDULE

PROJECT NAME: **HAY BUILDING**
PROJECT ADDRESS: **594 CONGRESS STREET
PORTLAND, ME 04101**
COUNTY: **CUMBERLAND**

STORE #: 7433
PROJECT #: 04704-026
CONCEPT: NCS
PALETTE: REGIONAL MODERN
ISSUE DATE: 12-16-2013
DESIGN MANAGER: ETA KLIGER
LEED® AP: N/A
PRODUCTION DESIGNER: J. NEAL
CHECKED BY: T. REISING

SHEET TITLE: **DESIGN DETAILS**

SCALE: As indicated

SHEET NUMBER: **I-5004**