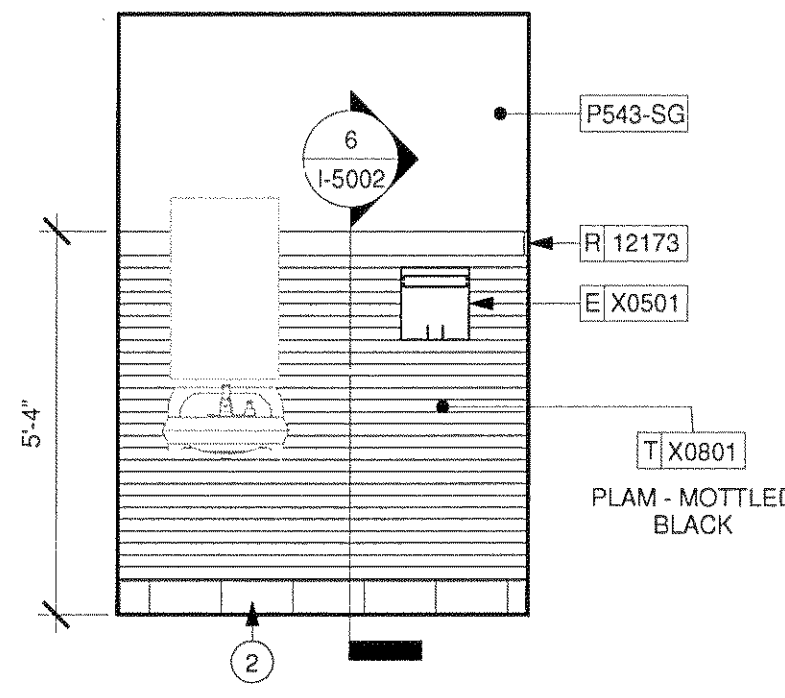
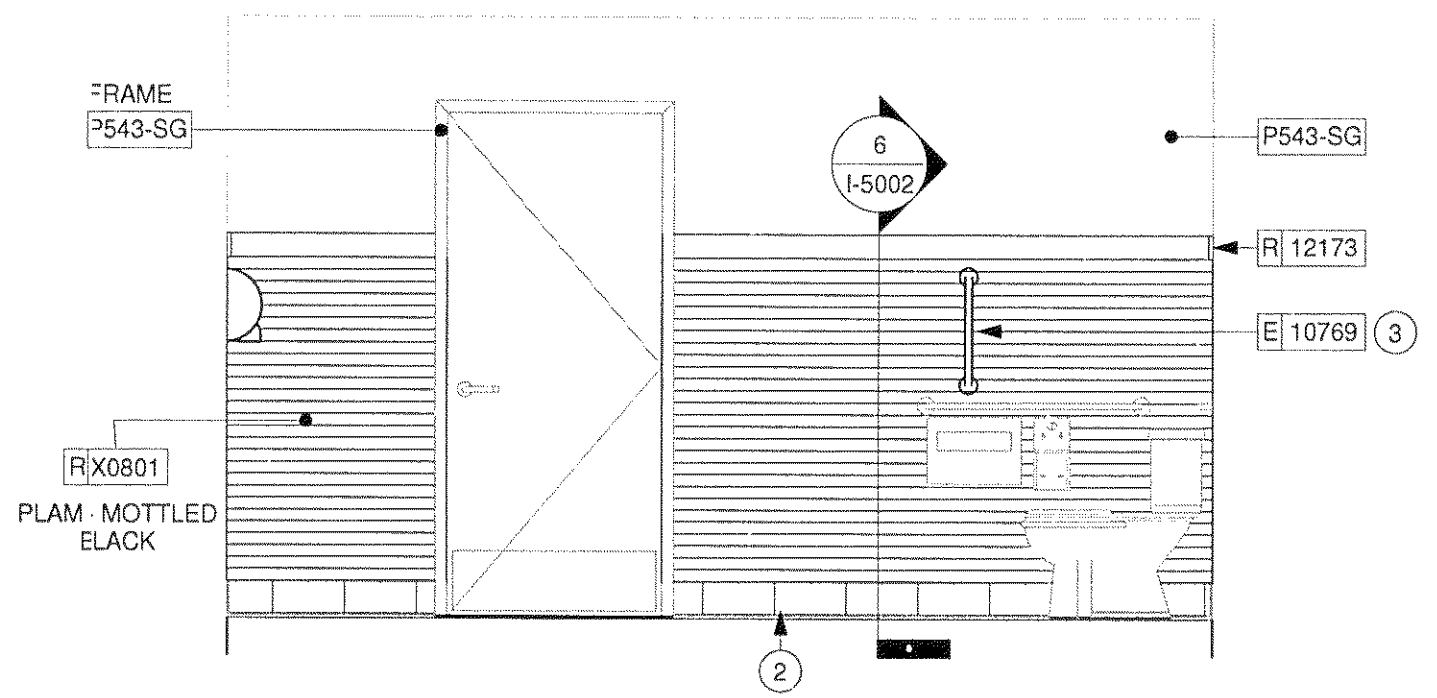


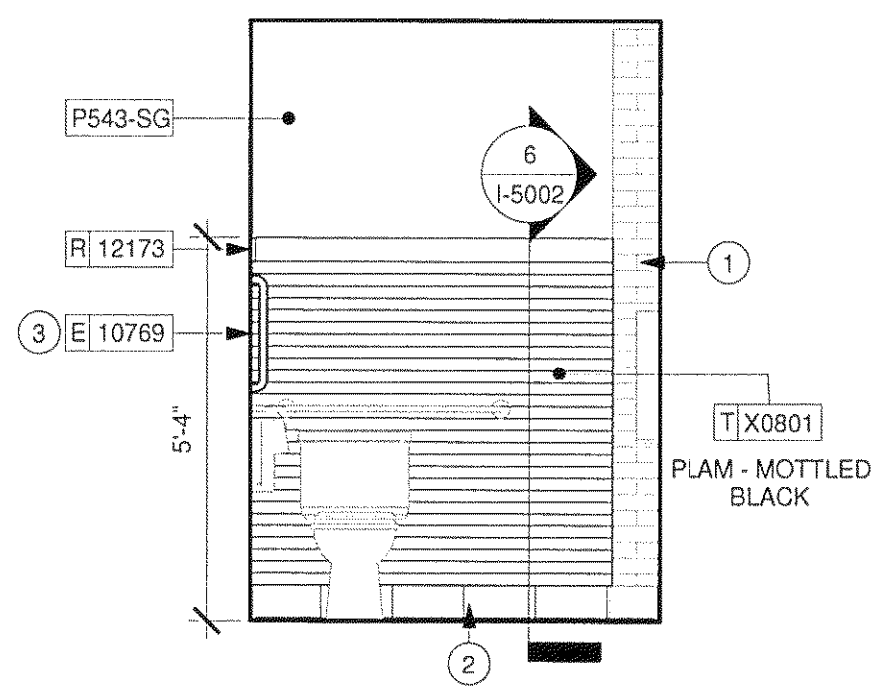
12/17/2013 5:43:46 PM N:\Starbucks\Starbucks Northeast\ME\STRNM0127_7433_Hay Building, ME\05_Implementation\Revit\7433_Hay Building_ME_OTP.rvt



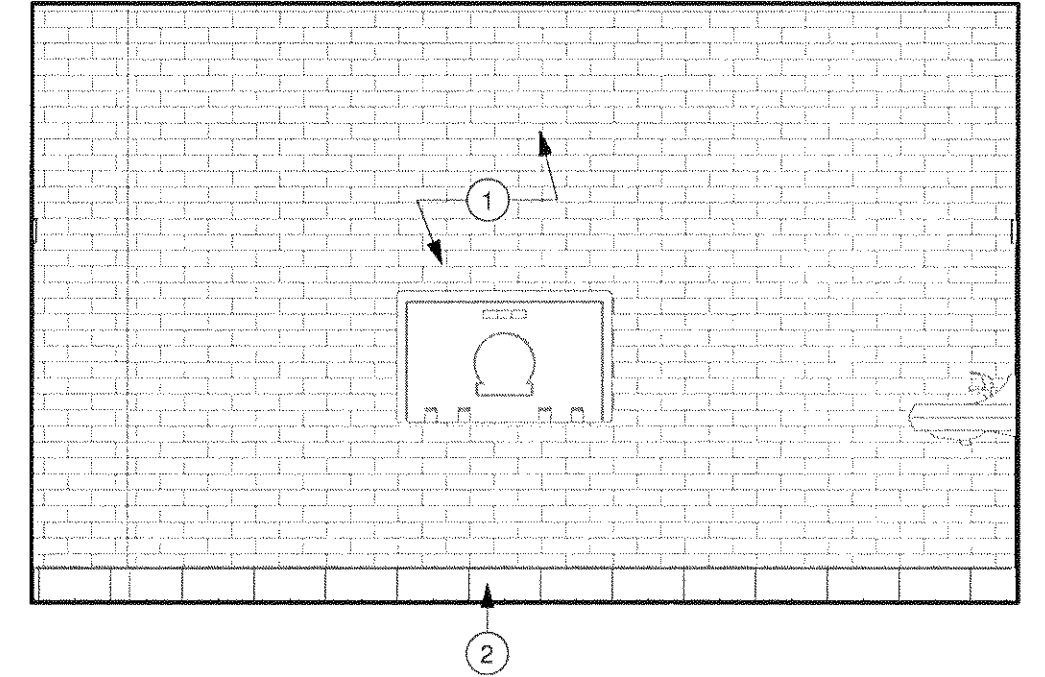
1 WOMEN'S RR ELEVATION AT SINK
Scale: 3/8" = 1'-0"



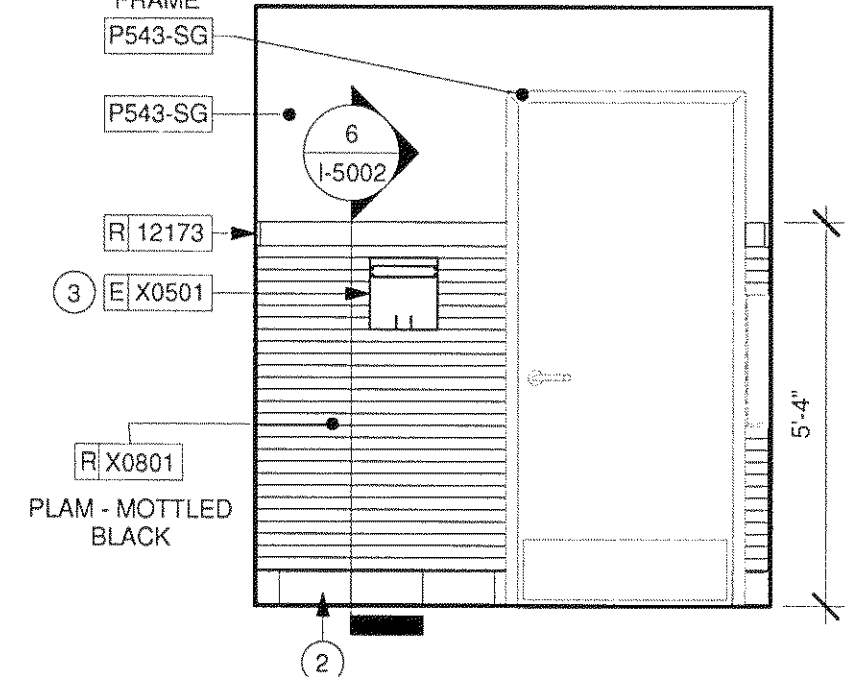
2 WOMEN'S RR ELEVATION AT DOOR
Scale: 3/8" = 1'-0"



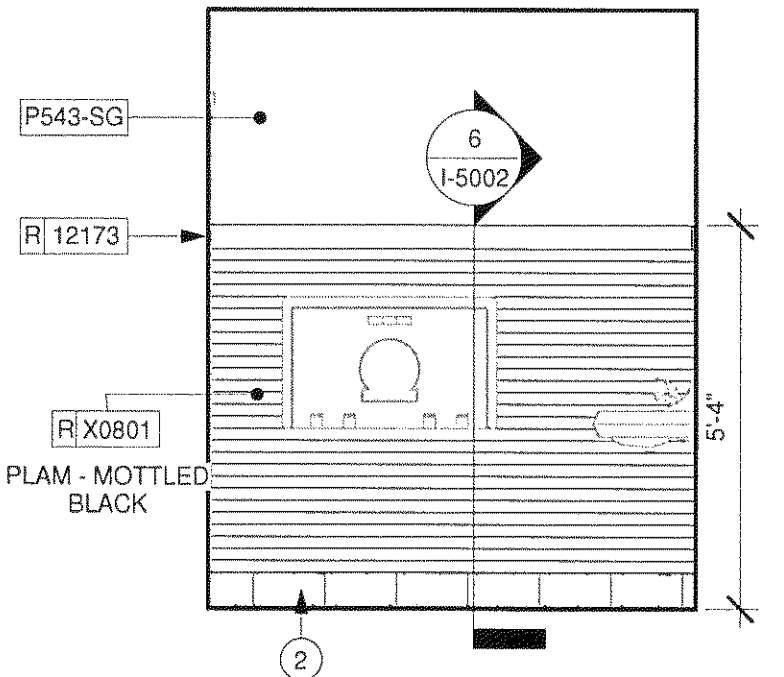
3 WOMEN'S RR ELEVATION AT WC
Scale: 3/8" = 1'-0"



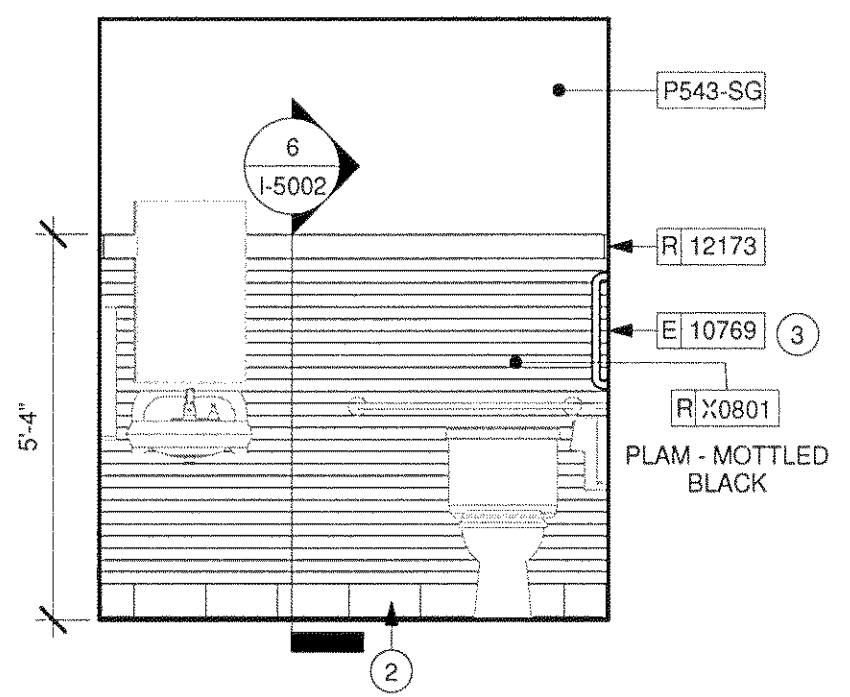
4 WOMEN'S RR ELEVATION AT BRICK WALL
Scale: 3/8" = 1'-0"



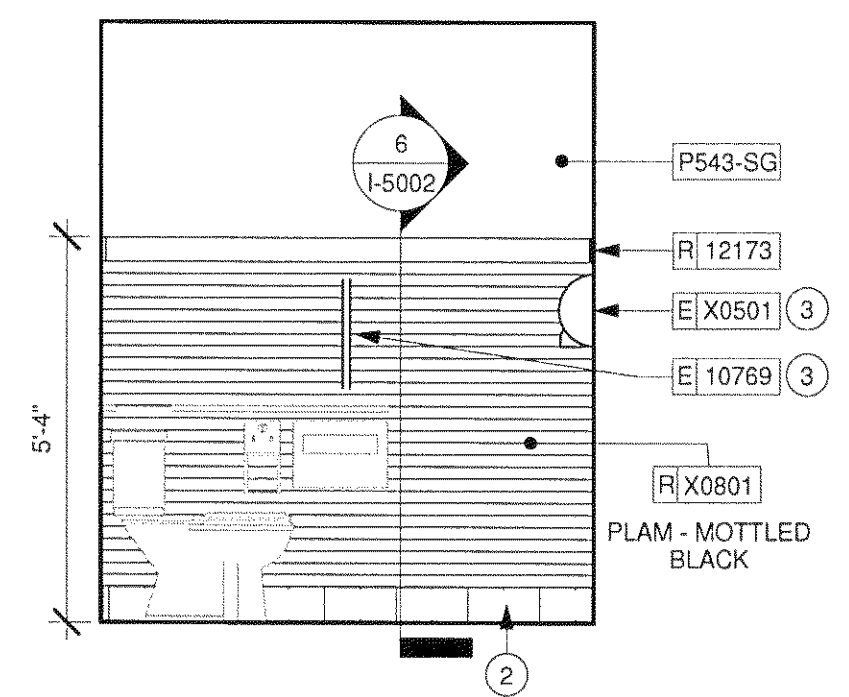
5 MEN'S RR ELEVATION AT DOOR
Scale: 3/8" = 1'-0"



6 MEN'S RR ELEVATION AT SINK
Scale: 3/8" = 1'-0"



7 MEN'S RR ELEVATION AT BACK WALL
Scale: 3/8" = 1'-0"



8 MEN'S RR ELEVATION AT WC
Scale: 3/8" = 1'-0"

ENLARGED RESTROOM PLAN NOTES

- A. DETAILS ARE FOR REFERENCE ONLY.
- B. ALL RESTROOM ACCESSORIES MOUNTING HEIGHTS TO MEET ACCESSIBILITY REQUIREMENTS PER STARBUCKS ACCESSIBILITY STANDARDS.
- C. GENERAL CONTRACTOR TO VERIFY ALL DIMENSIONS AND NOTIFY STARBUCKS CONSTRUCTION MANAGER OF ANY DISCREPANCIES PRIOR TO CONSTRUCTION. ALL DIMENSIONS TO BE TAKEN FROM DESIGNATED DATUM POINT.
- D. DIMENSIONS ARE TO FACE OF FINISHED SURFACE.

SHEET NOTES

- 1. GO TO APPLY NEW GRAFFITI SEALANT ON EXPOSED BRICK WALLS. COORDINATE WITH STARBUCKS CONSTRUCTION MANAGER.
- 2. MAINTAIN EXISTING TILE BASE. PATCH AND REPAIR AS REQUIRED.
- 3. REFER TO TYPICAL RESTROOM ELEVATIONS - THIS SHEET FOR INSTALLATION LOCATION.



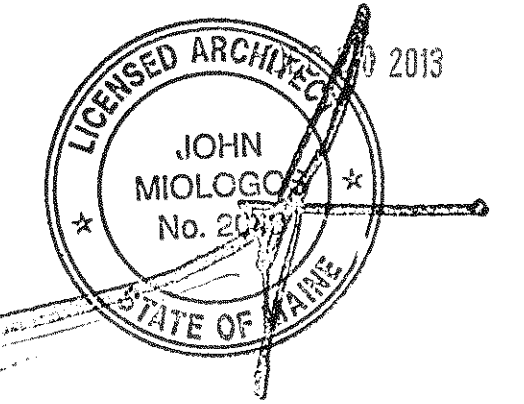
STARBUCKS COFFEE COMPANY
2401 UTAH AVENUE SOUTH
SEATTLE, WASHINGTON 98134
(206) 318-1575

THESE DRAWINGS AND SPECIFICATIONS ARE CONFIDENTIAL AND SHALL REMAIN THE SOLE PROPERTY OF STARBUCKS CORPORATION, WHICH IS THE OWNER OF THE COPYRIGHT IN THIS WORK. THEY SHALL NOT BE REPRODUCED (IN WHOLE OR IN PART), SHARED WITH THIRD PARTIES OR USED IN ANY MANNER ON OTHER PROJECTS OR EXTENSIONS TO THIS PROJECT WITHOUT THE PRIOR WRITTEN CONSENT OF STARBUCKS CORPORATION.

Revision Schedule

Rev	Date	By	Description

FULL REMODEL



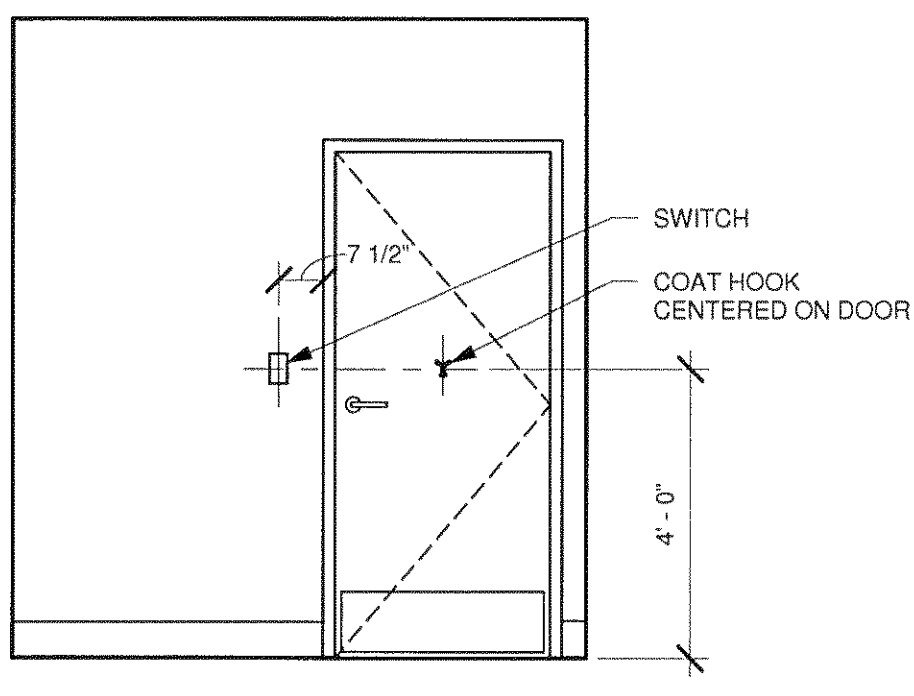
PROJECT NAME: HAY BUILDING
PROJECT ADDRESS: 594 CONGRESS STREET
PORTLAND, ME 04101
COUNTY: CUMBERLAND

STORE #: 7433
PROJECT #: 04704-026
CONCEPT: NGS
PALETTE: REGIONAL MODERN
ISSUE DATE: 12-16-2013
DESIGN MANAGER: ETA KLIGER
LEED® AP: N/A
PRODUCTION DESIGNER: J. NEAL
CHECKED BY: T. REISING

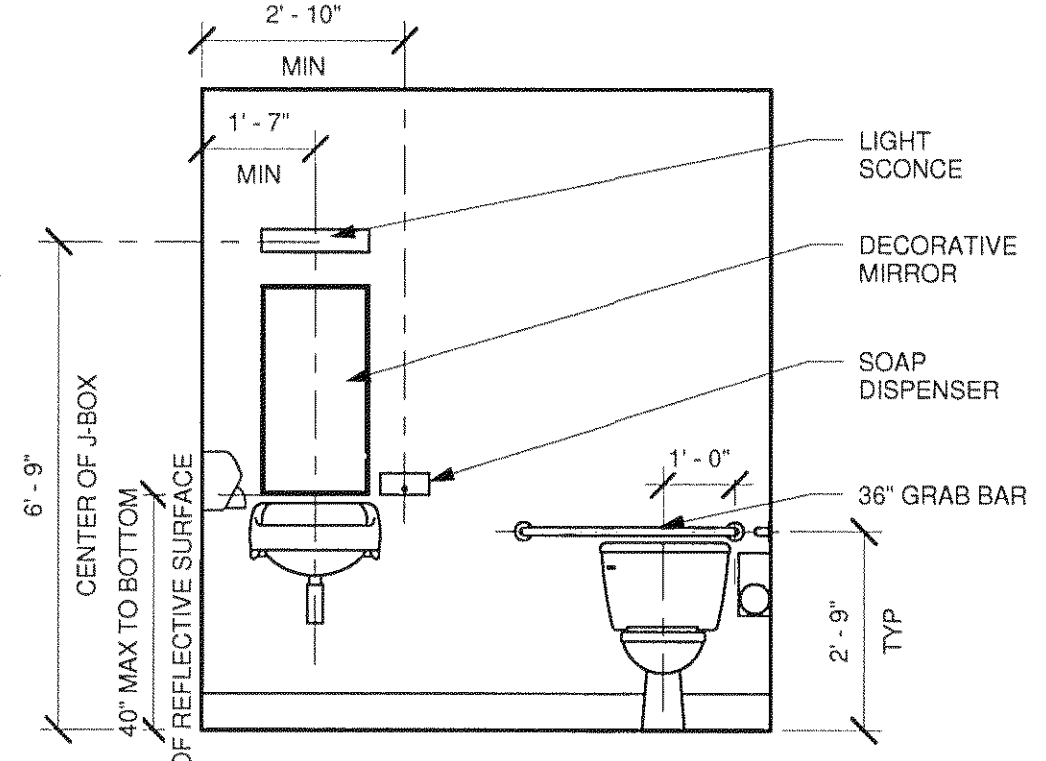
SHEET TITLE: ENLARGED RESTROOM PLAN AND ELEVATIONS
SCALE: As indicated

SHEET NUMBER: I-2103

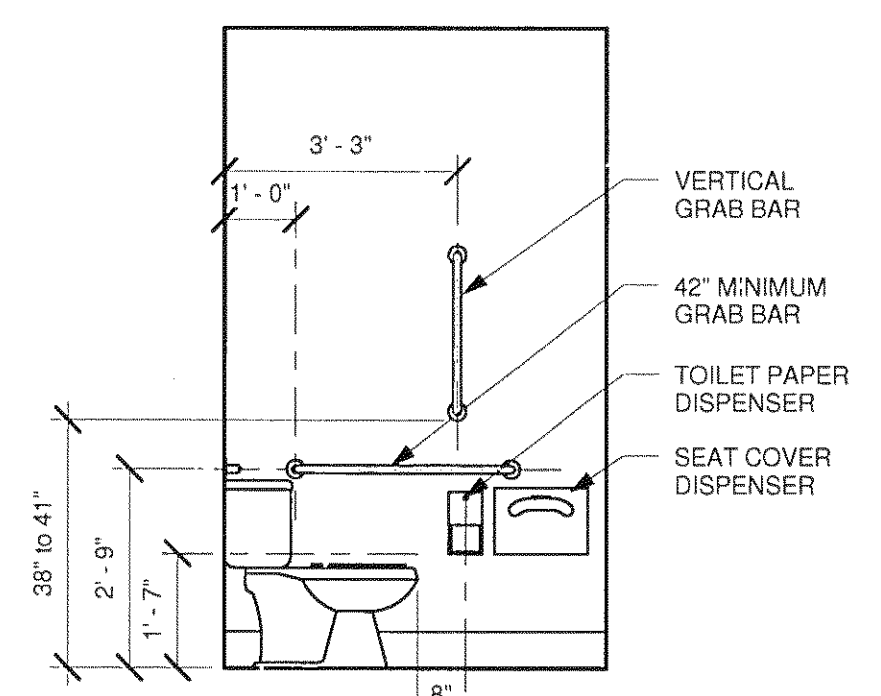
TYPICAL RESTROOM ELEVATIONS



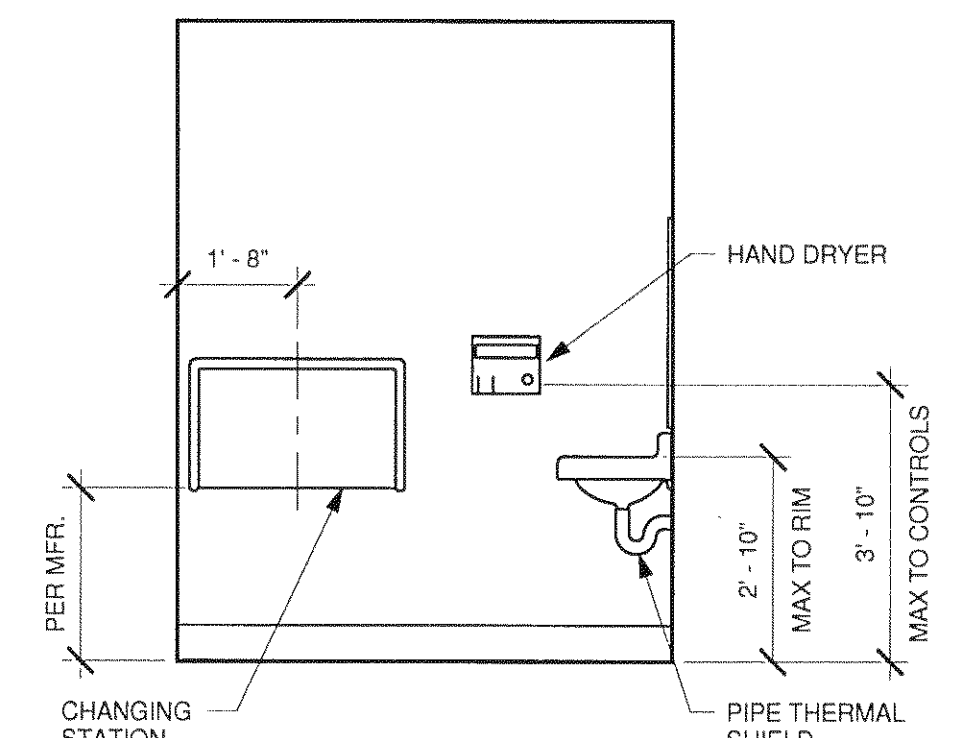
A TYPICAL RESTROOM AT DOOR
Scale: 3/8" = 1'-0"



B TYPICAL RESTROOM AT FRONT
Scale: 3/8" = 1'-0"



C TYPICAL RESTROOM AT SIDE
Scale: 3/8" = 1'-0"



D TYPICAL RESTROOM AT SINK SIDE
Scale: 3/8" = 1'-0"