

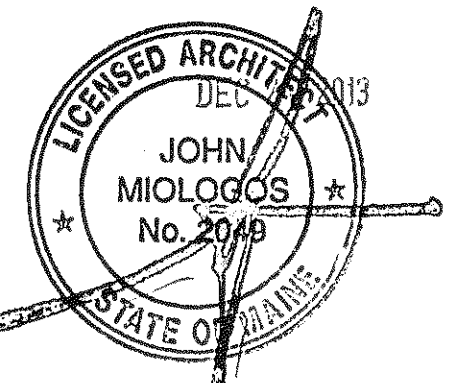
12/17/2013 5:41:49 PM N:\Starbucks\Starbucks Northeast\ME\STRM0127_7433_Hay Building_ME\Implementation\Revit\7433_Hay Building_ME_OTP.rvt



STARBUCKS COFFEE COMPANY
 2401 UTAH AVENUE SOUTH
 SEATTLE, WASHINGTON 98134
 (206) 318-1575

THESE DRAWINGS AND SPECIFICATIONS ARE CONFIDENTIAL AND SHALL REMAIN THE SOLE PROPERTY OF STARBUCKS CORPORATION, WHICH IS THE OWNER OF THE COPYRIGHT IN THIS WORK. THEY SHALL NOT BE REPRODUCED (IN WHOLE OR IN PART), SHARED WITH THIRD PARTIES OR USED IN ANY MANNER ON OTHER PROJECTS OR EXTENSIONS TO THIS PROJECT WITHOUT THE PRIOR WRITTEN CONSENT OF STARBUCKS CORPORATION.

Revision Schedule			
Rev	Date	By	Description



PROJECT NAME:
HAY BUILDING
PROJECT ADDRESS:
 594 CONGRESS STREET
 PORTLAND, ME 04101
COUNTY: CUMBERLAND

STORE #: 7433
PROJECT #: 04704-026
CONCEPT: NCS
PALETTE: REGIONAL MODERN
ISSUE DATE: 12-16-2013
DESIGN MANAGER: ETA KLIGER
LEED® AP: N/A
PRODUCTION DESIGNER: J.NEAL
CHECKED BY: T. REISING

SHEET TITLE:
CASEWORK PLAN

SCALE: As indicated

SHEET NUMBER:
 I-1107

SHEET NOTES

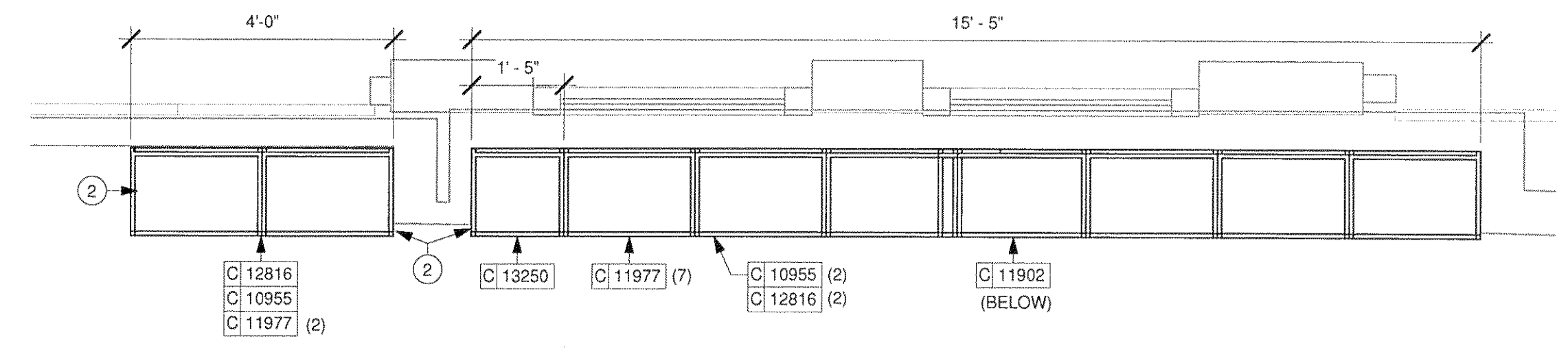
- REFER TO DETAIL SHEETS I-5002 - 5004 FOR CUSTOM ITEM.
- CONTINUE LIGHT VALANCE TO SIDE FACE OF CUBBIES.
- VERIFY LOCATION OF COLUMN IN FIELD. MAINTAIN REQUIRED CLEARANCES AS INDICATED.

CASEWORK PLAN NOTES

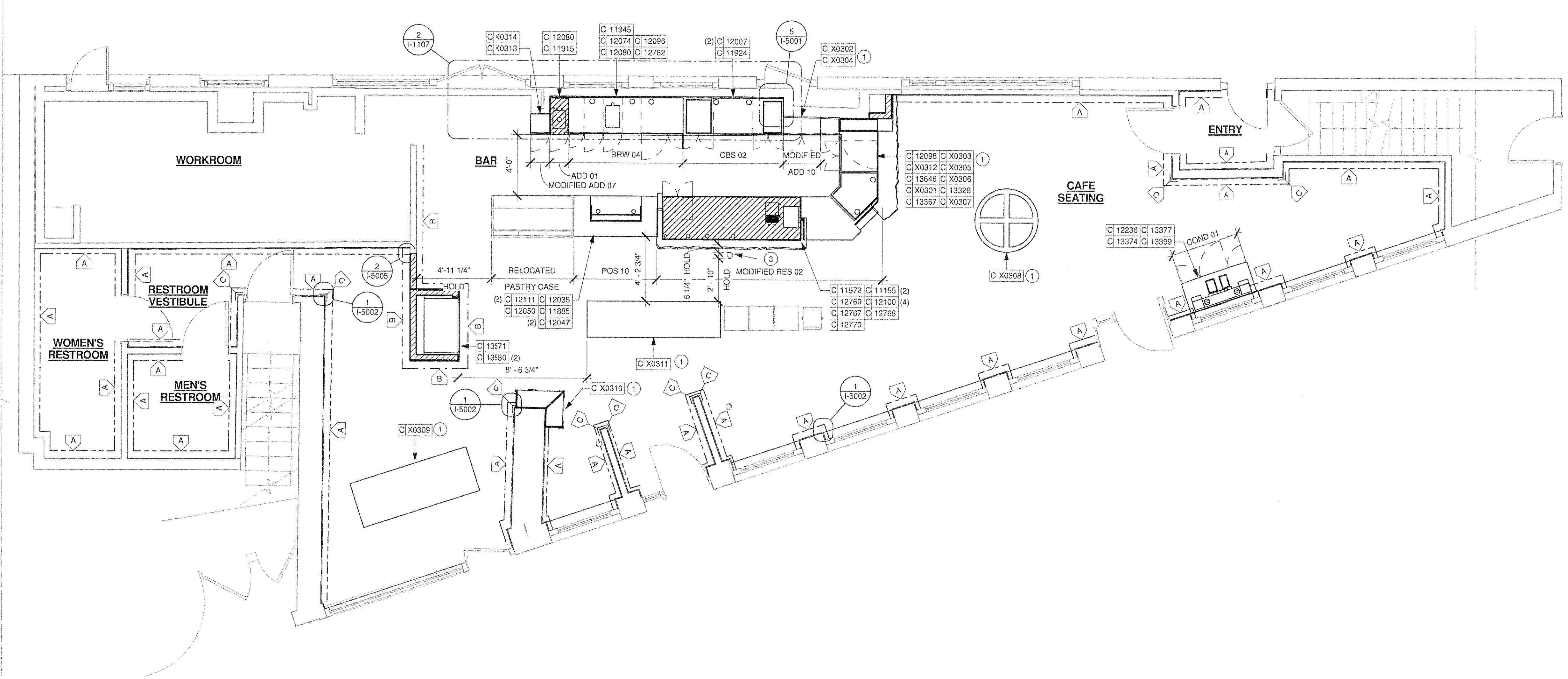
- A. GENERAL CONTRACTOR TO NOTIFY STARBUCKS CONSTRUCTION MANAGER IMMEDIATELY IF A DISCREPANCY EXISTS BETWEEN CASEWORK SHOP DRAWINGS, SITE DIMENSIONS, CASEWORK PLAN OR ACTUAL CASEWORK FIXTURES. ALL DIMENSIONS TO BE TAKEN FROM DESIGNATED DATUM POINT.
- B. STARBUCKS CONSTRUCTION MANAGER TO COORDINATE AND SCHEDULE CASEWORK DELIVERY DATE. GENERAL CONTRACTOR TO CONFIRM CASEWORK DELIVERY DATE WITH CASEWORK MANUFACTURER 4 WEEKS AND 1 WEEK PRIOR TO SCHEDULED DATE OF DELIVERY.
- C. STARBUCKS CONTRACTS DIRECTLY WITH CASEWORK VENDOR TO SUPPLY CASEWORK LISTED IN CASEWORK SCHEDULE, UNLESS OTHERWISE NOTED.
- D. REFER TO CASEWORK INSTALLATION MANUAL PROVIDED BY CASEWORK VENDOR FOR COMPLETE INSTALLATION INSTRUCTIONS.
- E. ALL CASEWORK BASE UNITS SHALL BE SET ON 1/4" (6MM) NON-ABSORBENT PLASTIC SHIMS PROVIDED BY CASEWORK VENDOR.
- F. SEE WALL FINISH PLAN FOR LOCATION, TAGGING, AND FINISH SCHEDULES OF APPLIED WALL TREATMENTS.
- G. INSTALL OVEN STAINLESS STEEL COUNTERTOP AND BASE CABINET WITH 1/2" (10MM) GAP BETWEEN ADJACENT COUNTERTOPS.
- H. INTERIOR JOINTS BETWEEN PLUMBING FIXTURES AND ADJOINING WALLS, FLOORS, AND COUNTERS SHOULD BE SEALED USING TRANSLUCENT SINGLE-COMPONENT MILDEW-RESISTANT ACID-CURING SILICON SEALANT.

CASEWORK PLAN LEGEND

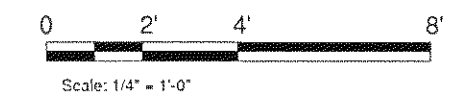
- INDICATES CHAIR RAIL DESIGN ID: 12173
- INDICATES WALL CLADDING DESIGN ID: X0315
- INDICATES STAINLESS STEEL (SST) COUNTERTOP
- INDICATES SOLID SURFACE (SS) COUNTERTOP
- INDICATES WAINGSCOT TRIM CORNER DESIGN ID: 11237



2 UPPER CASEWORK PLAN
 Scale: 1/2" = 1'-0"



1 CASEWORK PLAN
 Scale: 1/4" = 1'-0"



FULL REMODEL