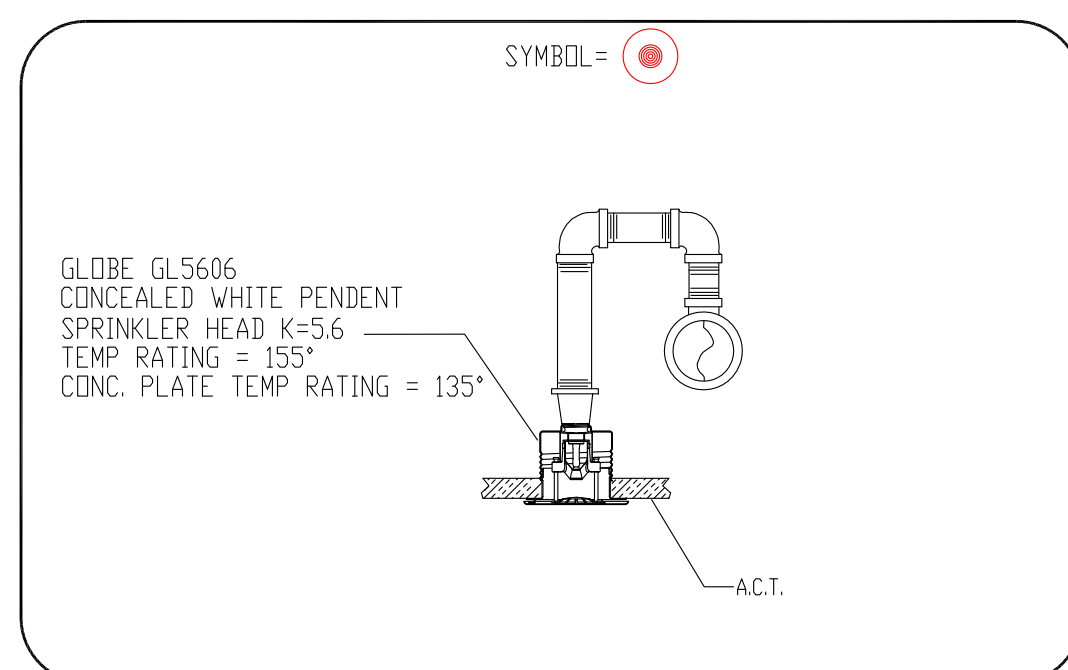
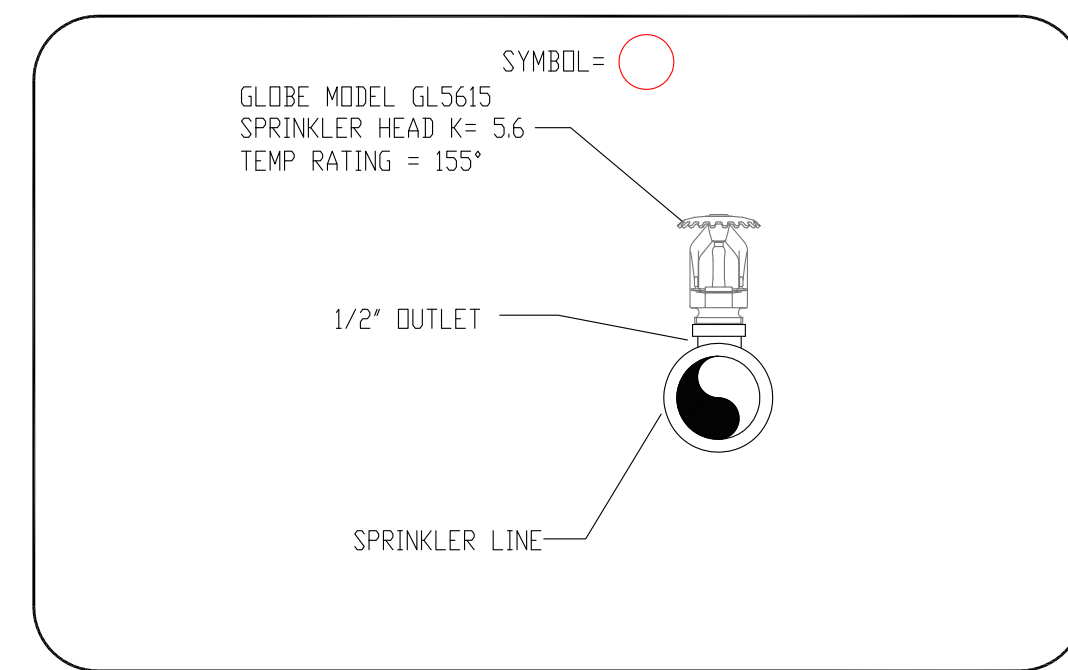
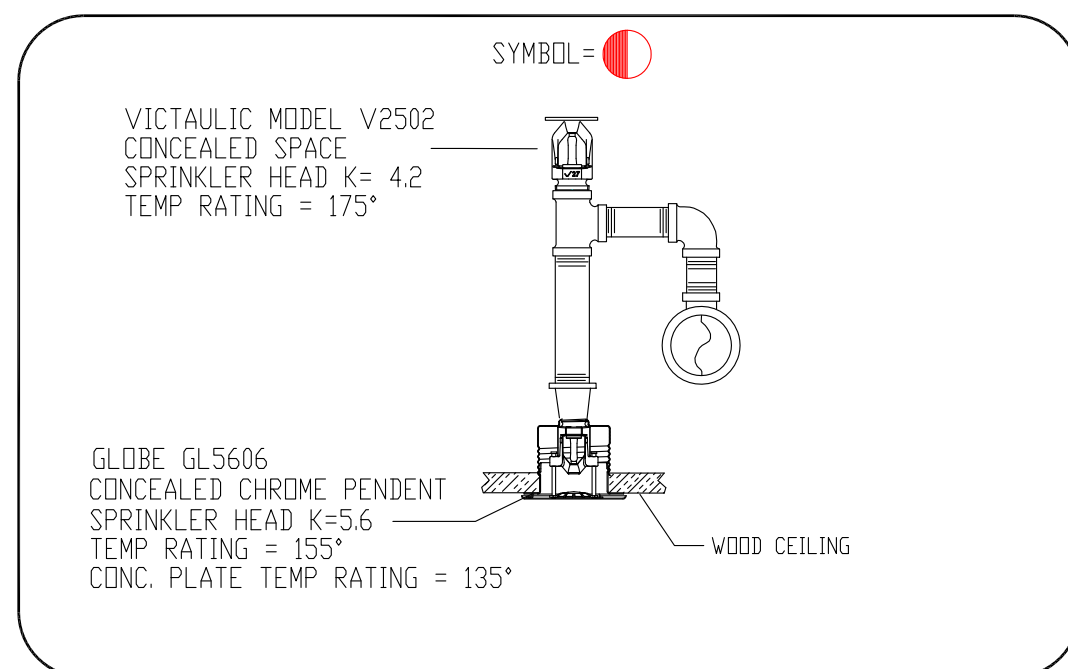
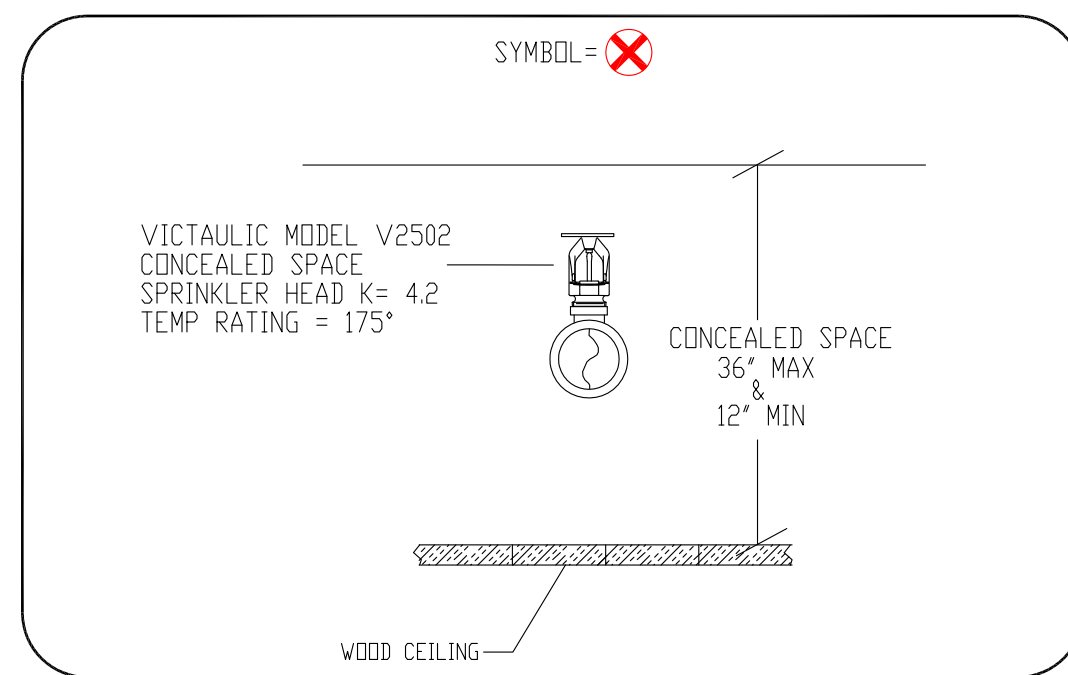
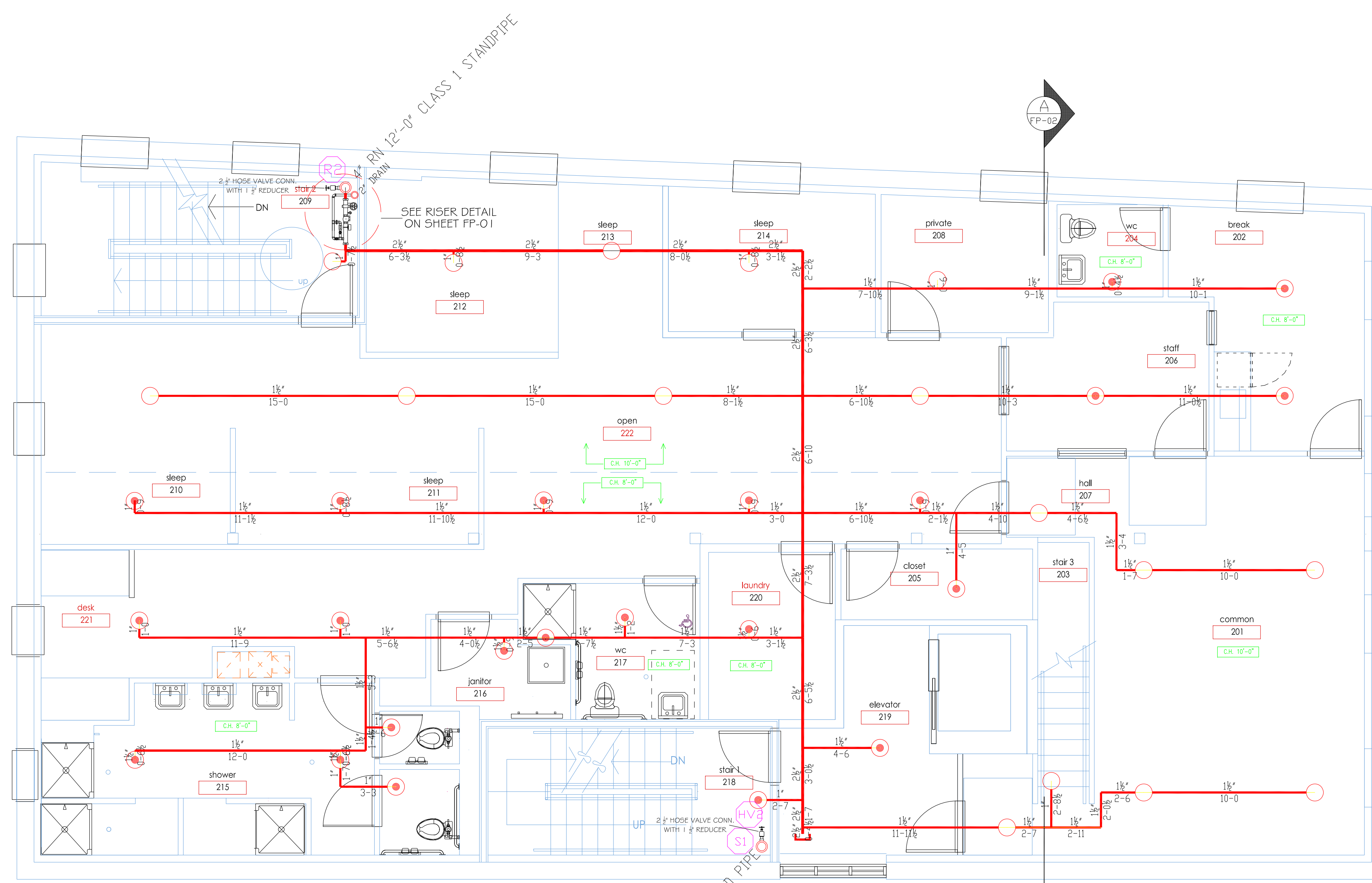


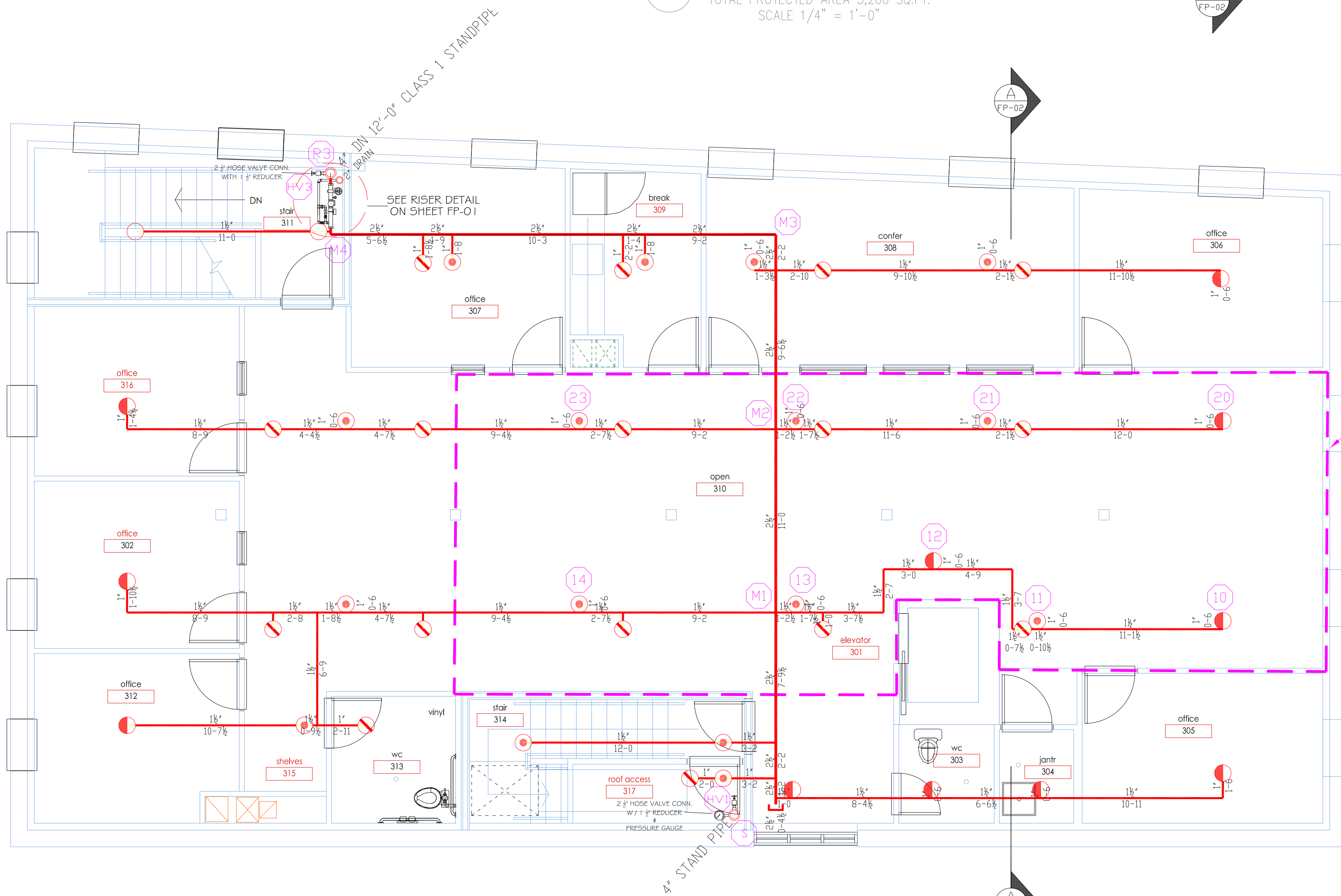
A SECTION VIEW A
SCALE: N.T.S.



H HEAD DETAILS
SCALE: N.T.S.



2 SECOND FLOOR (WET)
TOTAL PROTECTED AREA 3,200 SQ.FT.
SCALE 1/4" = 1'-0"



3 THIRD FLOOR (WET)
TOTAL PROTECTED AREA 3,200 SQ.FT.
SCALE 1/4" = 1'-0"

HYDRAULIC DESIGN CRITERIA
LOCATION= OPEN AREA 310
AREA OF OPERATION= 900-SQ.FT.
NUMBER OF SPRINKLERS=9
DENSITY= 1 W/ HOSE DEMAND OF 100 GPM
HAZARD CLASS=LIGHT HAZARD
HEAD SPACING= 225 SQ.FT.
SYSTEM DEMAND INCLUDING HOSE @
BASE OF RISER= 311-GPM 76-PSI
SAFETY MARGIN= 24.7PSI

*DESIGN AREA REDUCTION PER NFPA 13
SECTION 11.2.3.2.3.1*
*A 10 PSI SAFETY HAS BEEN ADDED PER THE
STATE OF MAINE REG. FOR OLDER WATER
FLOW DATA*

HIGH TECH FIRE PROTECTION
P.O. BOX 156
MINOT, ME. 04258-0258
TEL:(207) 998-2501 FAX:(207) 998-4187
MAINE LICENSE # 102

GENERAL CONTRACTOR ON RECORD:
WRIGHT-RYAN CONST.
10 DANFORTH ST.
PORTLAND ME, 04101

REVISIONS:
NO. DATE DESCRIPTION:

SPECIAL APPLICATIONS:
NO. DESCRIPTION:
1. FIRE CAULK WALL PENETRATION WHERE REQUIRED TO MEET BUILDING SPECIFIC RATINGS.

LEGEND:
○ RN PIPE RISER UP
○ DN PIPE RISER DOWN
○ AUXILIARY DRAIN PROPOSED PIPE SYSTEM RISER
+ PIPE PITCH 1/4" MAINS 1/2" LINES
+ 4 WAY SWAY BRACING
+ 2 WAY SWAY BRACING
○ HYDRAULIC CALC. POINT

DESIGN NOTES:
ALL PIPING 1 1/2" & LARGER TO BE SCHEDULE 10 WITH GROOVED DUCTILE IRON FITTING.
ALL PIPING 1 1/4" & SMALLER TO BE SCHEDULE 40 WITH APPROPRIATE FITTING.
POSITION, LOCATION, SPACING, AND USE OF SPRINKLERS SHALL BE IN ACCORDANCE WITH NFPA 13.
HYDRAULIC CALCULATION PROCEDURES HAVE BEEN DONE IN ACCORDANCE WITH NFPA 13. (SEE PLANS FOR LOCATION OF REMOTE AREAS HYDRAULIC REFERENCE POINTS, AND SYSTEM DEMANDS.)
DIMENSIONS AND LOCATIONS GIVEN FOR SPRINKLER HEADS AND PIPE MAY VARY TO ACCOMMODATE ACTUAL FIELD CONDITIONS.
OWNER TO PROVIDE ADEQUATE HEAT THROUGHOUT BUILDING TO PREVENT WATER FILLED PIPING AND EQUIPMENT FROM FREEZING TEMPERATURES.
ALL MECHANICAL, ELECTRICAL, AND PLUMBING TRADES TO COORDINATE THEIR WORK WITH SPRINKLER CONTRACTOR.
ALL ELECTRIC WORK IS TO BE DONE BY OTHERS.

GLOBE* MODEL GL5606
46 / 155" K=5.6

1/2" WHITE CONCEALED PENDENT (15X15' SPACING)

GLOBE* MODEL GL5615
18 / 155" K=5.6

1/2" BRASS UPRIGHT (15X15' SPACING)

VICTAULIC* MODEL V2502
16 / 175" K=4.2

1/2" BRASS UPRIGHT (144 SQ. FT. SPACING)

VICTAULIC* MODEL V2502 & MODEL GL5606
16 / 155" K=5.6

1/2" BRASS UPRIGHT (144 SQ. FT. SPACING) & 1/2" WHITE CONC. PENDENT (15X15' SPACING)

TOTAL HEADS ON THIS SHEET 96

SCALE: 1/4" = 1'-0"

DATE: AUG 10, 2012

DESIGNER: TIM FORTIN
NICET LEVEL: III CERT# 122193
CHECKED BY: J. FOSS NICET LEVEL III
E. POULIN NICET LEVEL III

LOCATION:
38 PREBLE ST.
PORTLAND, ME

DRAWING TITLE:
TEEN SHELTER
FIRE PROTECTION PLAN
(NFPA 13 2010ed.)

DRAWING NO.:
FP-02