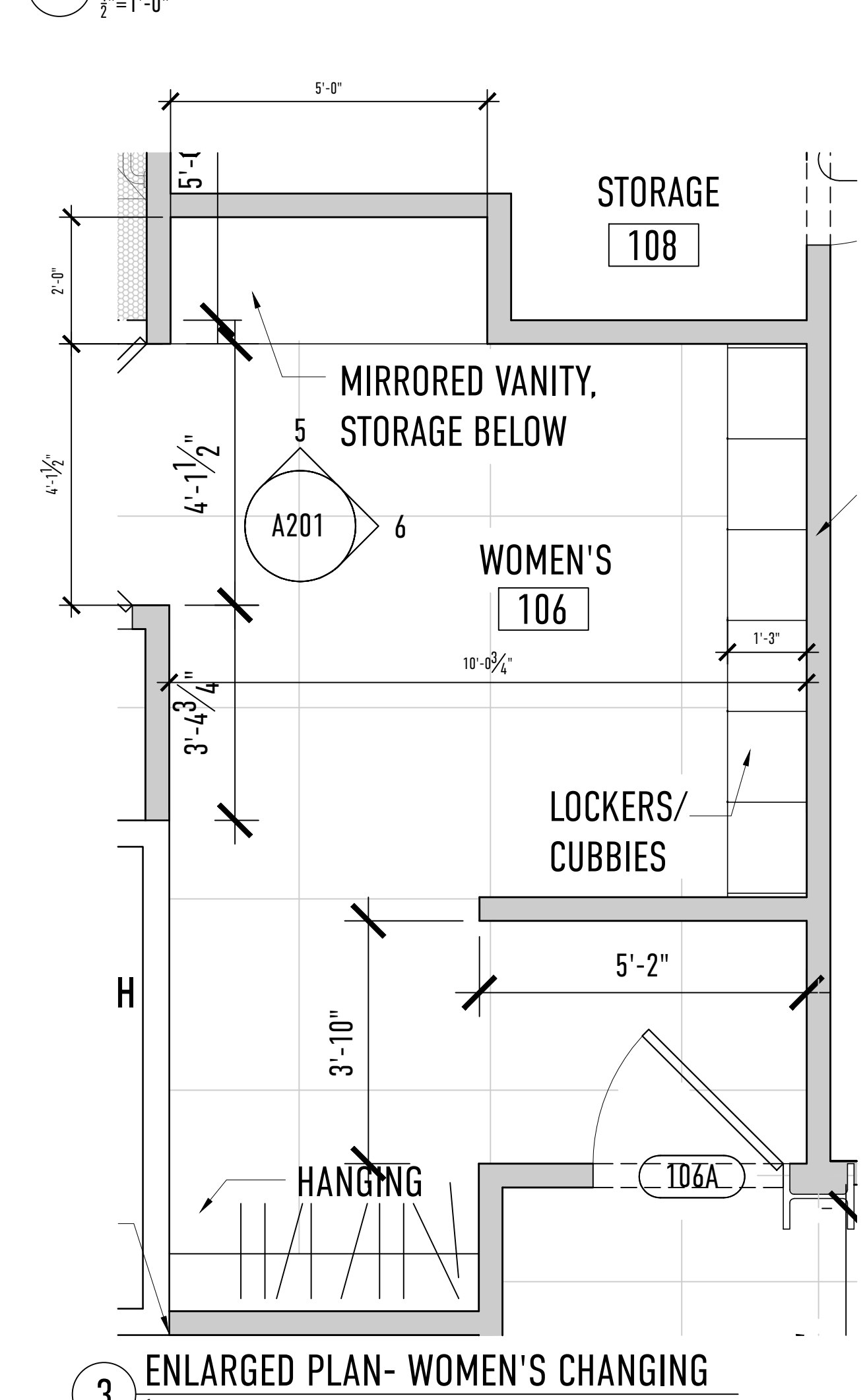
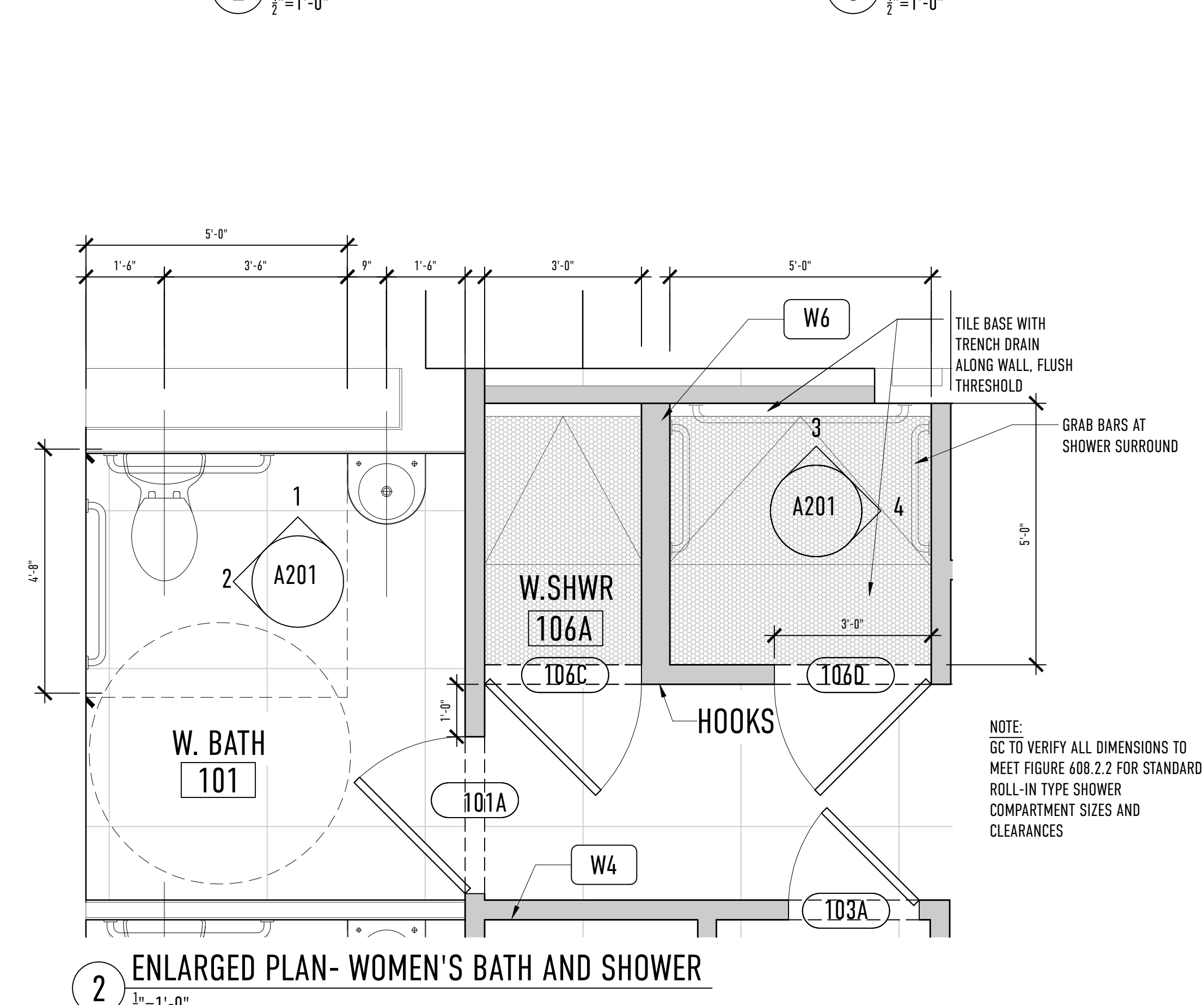
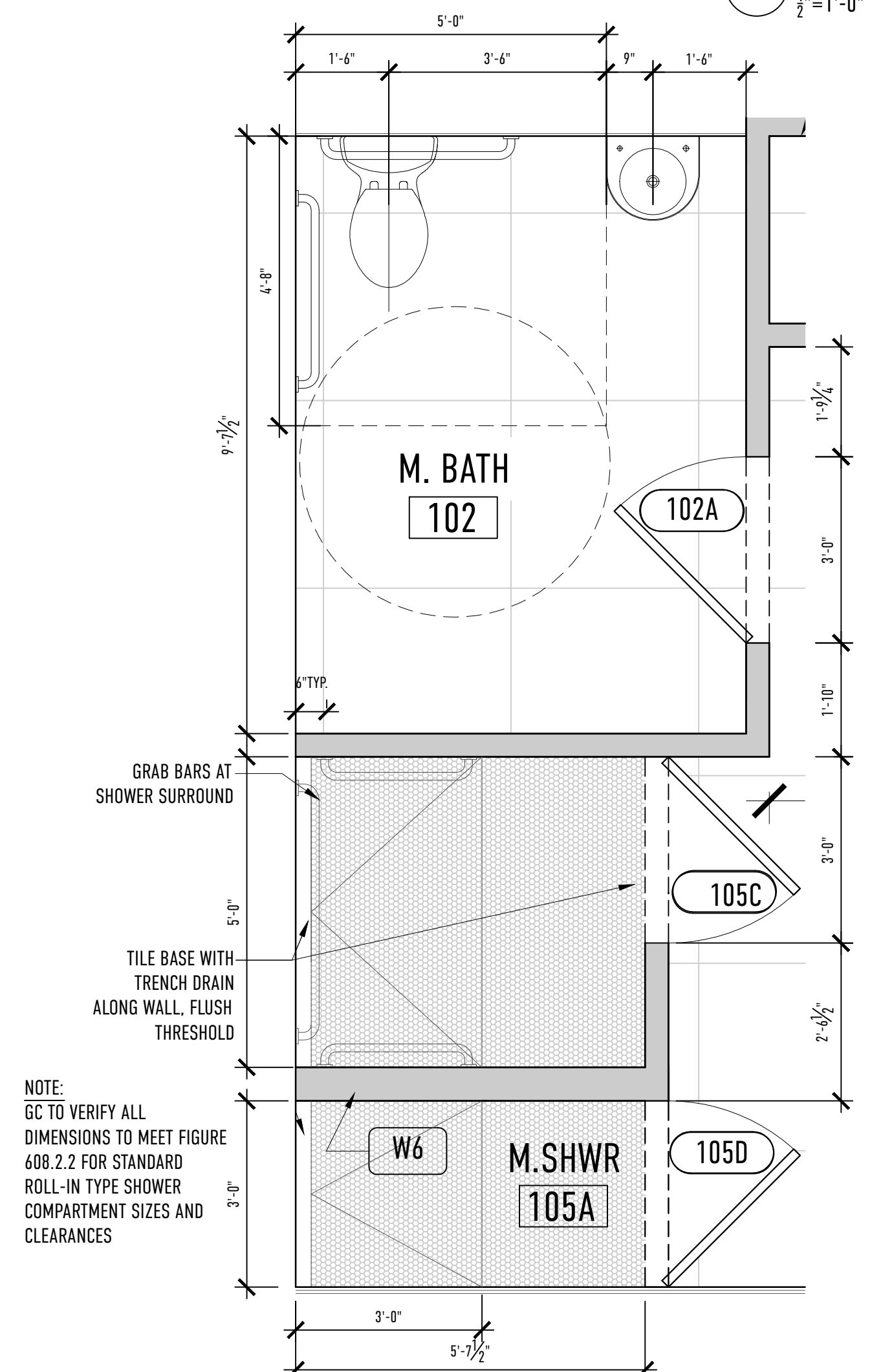
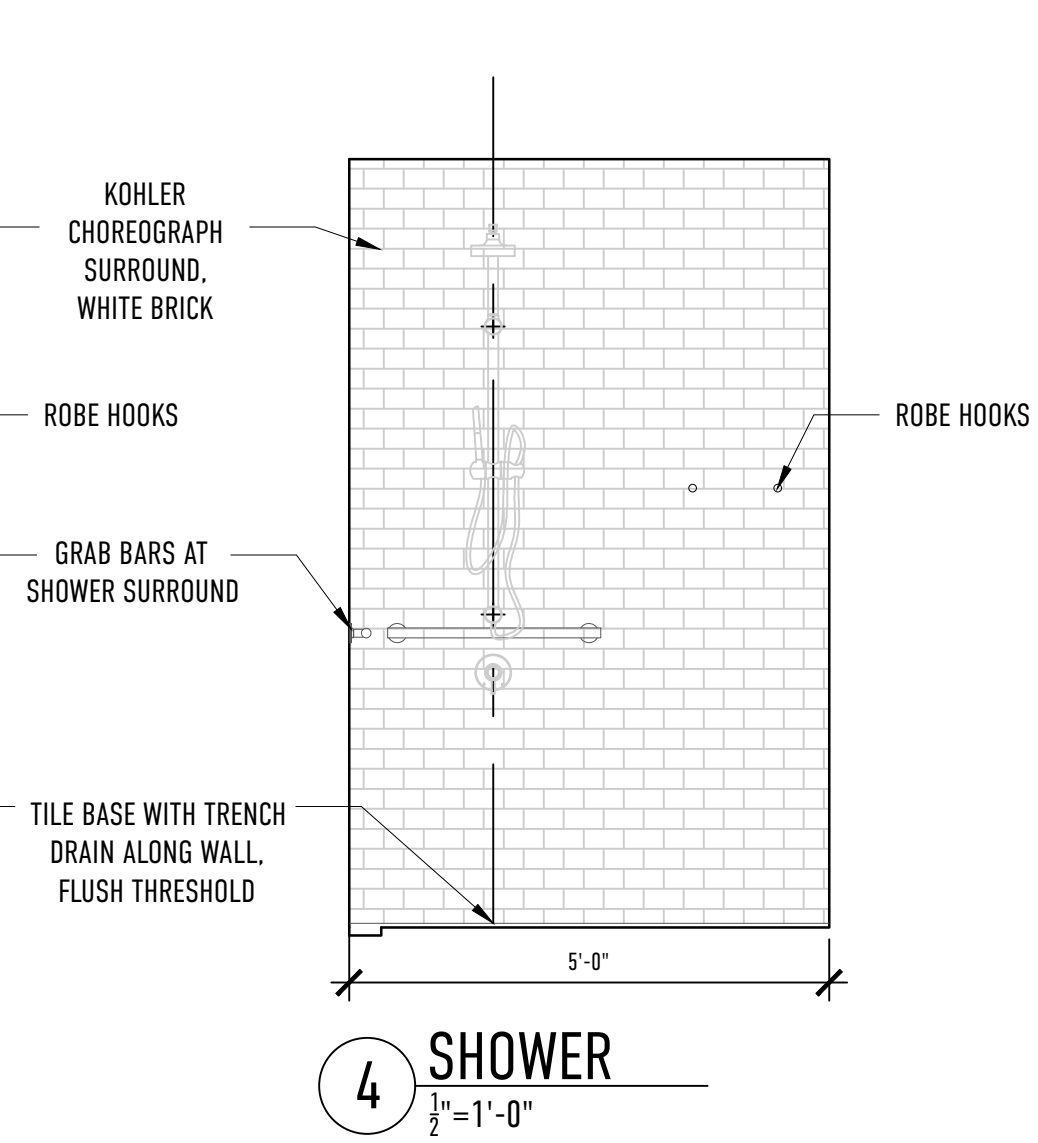
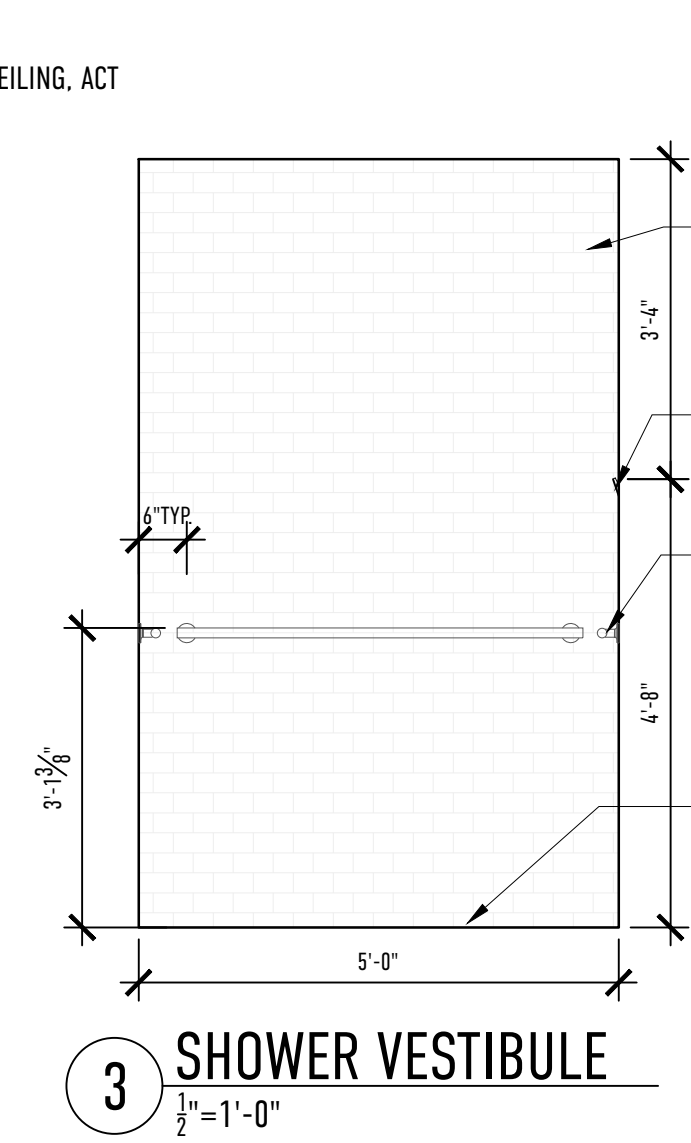
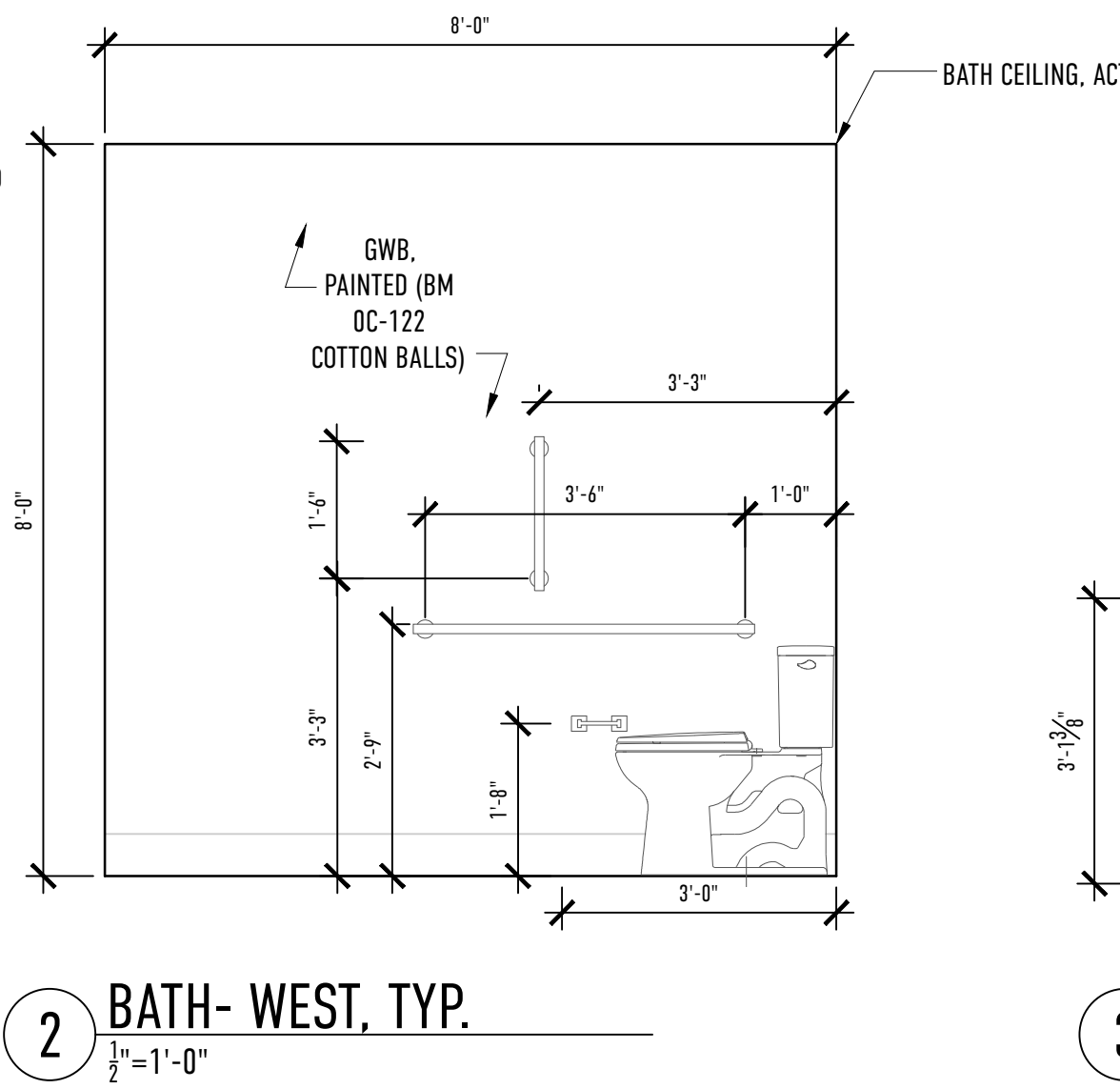
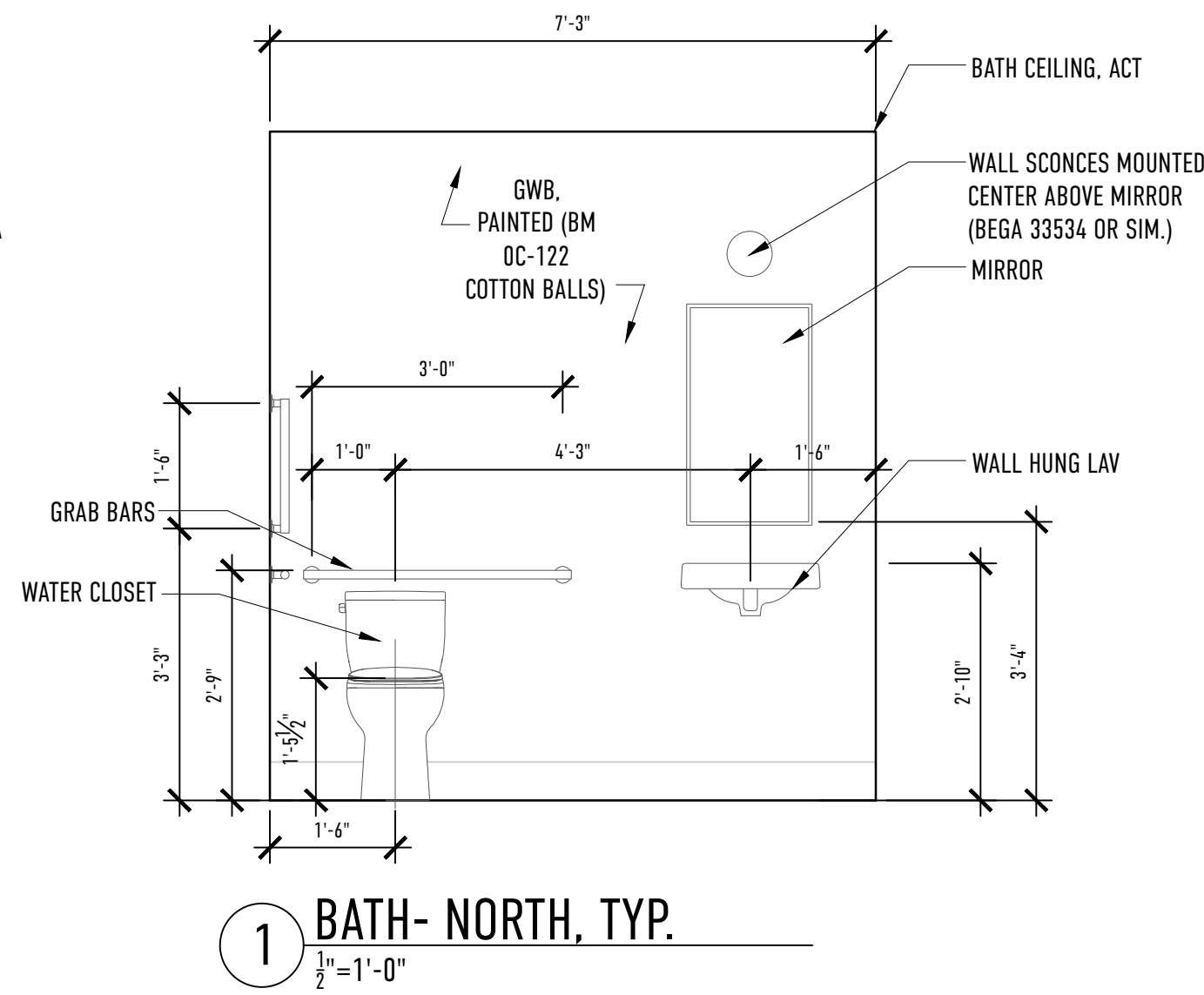
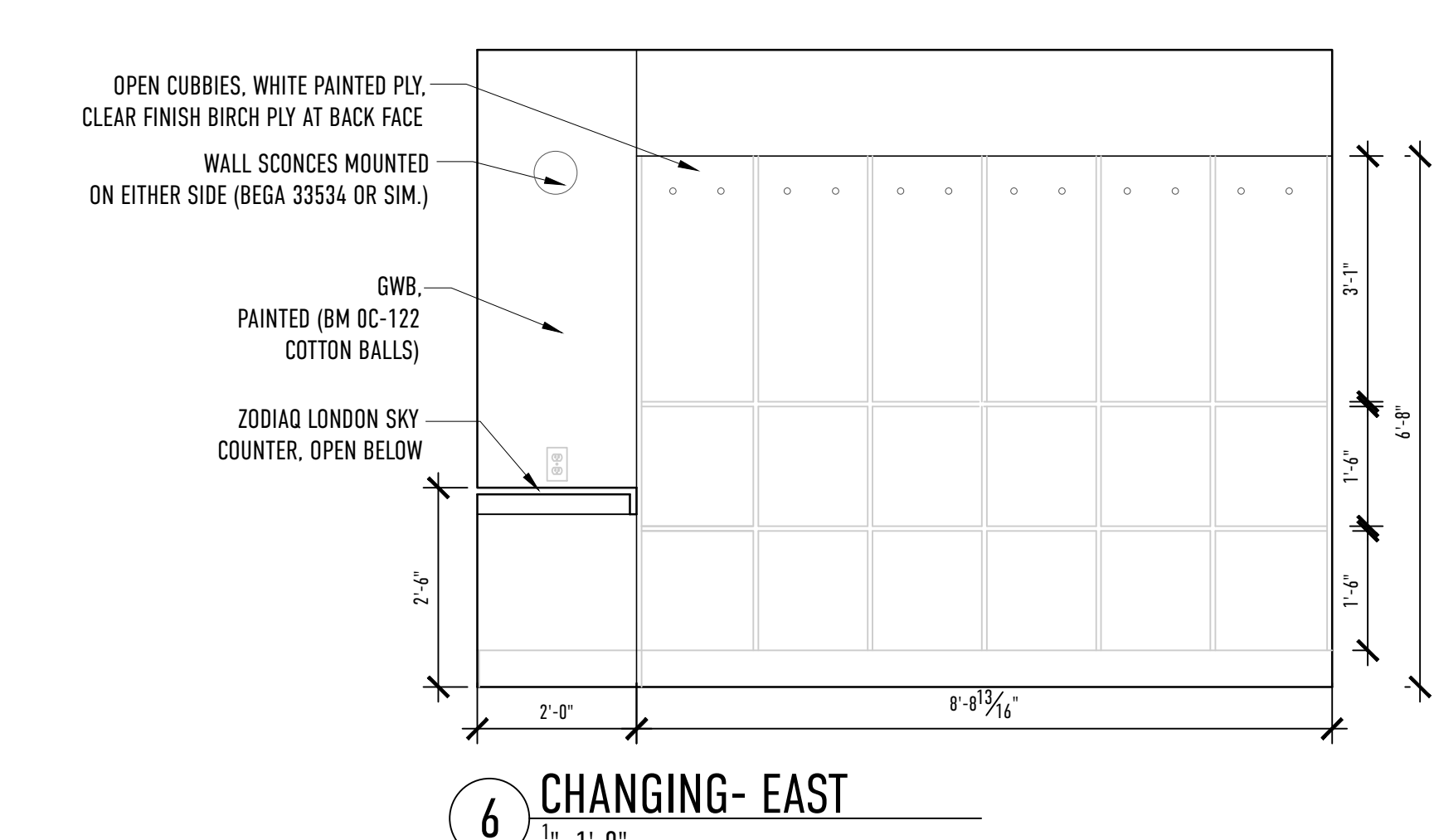
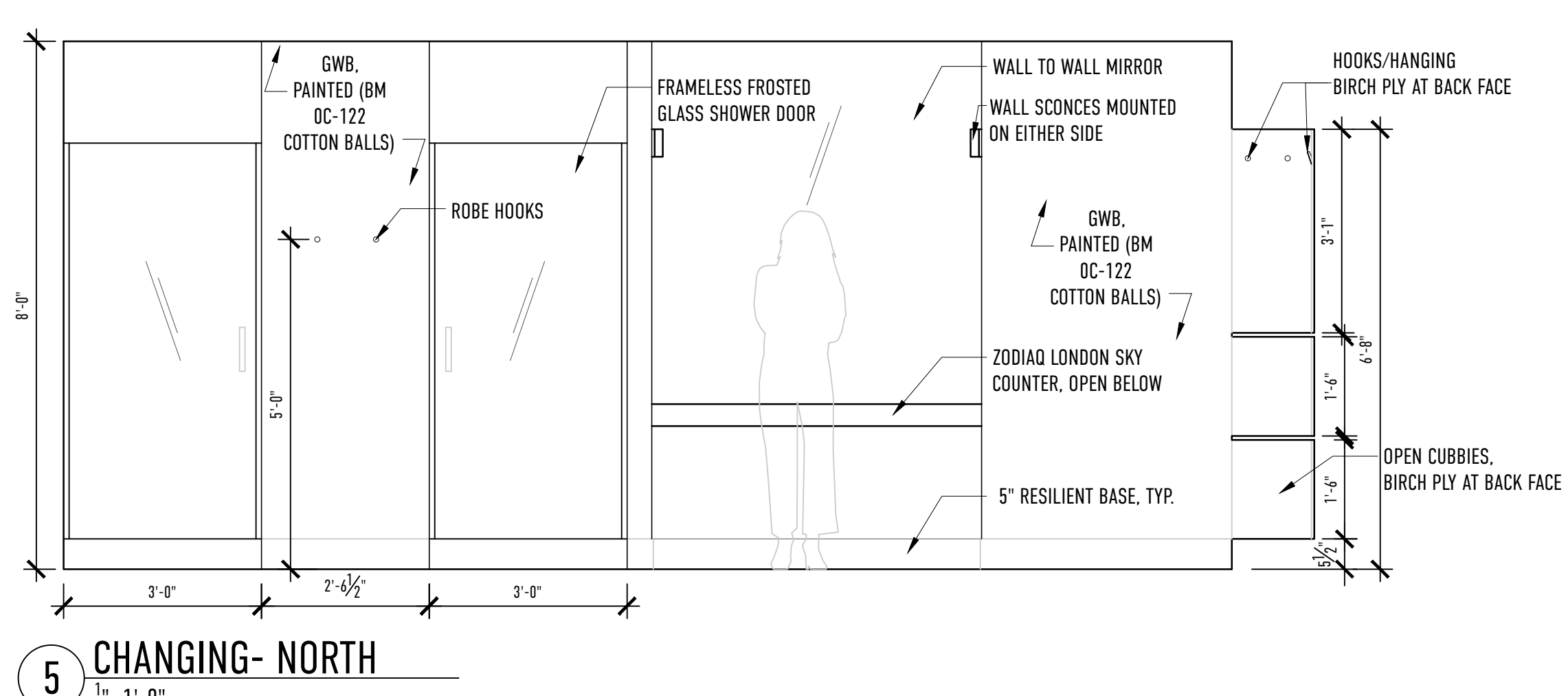
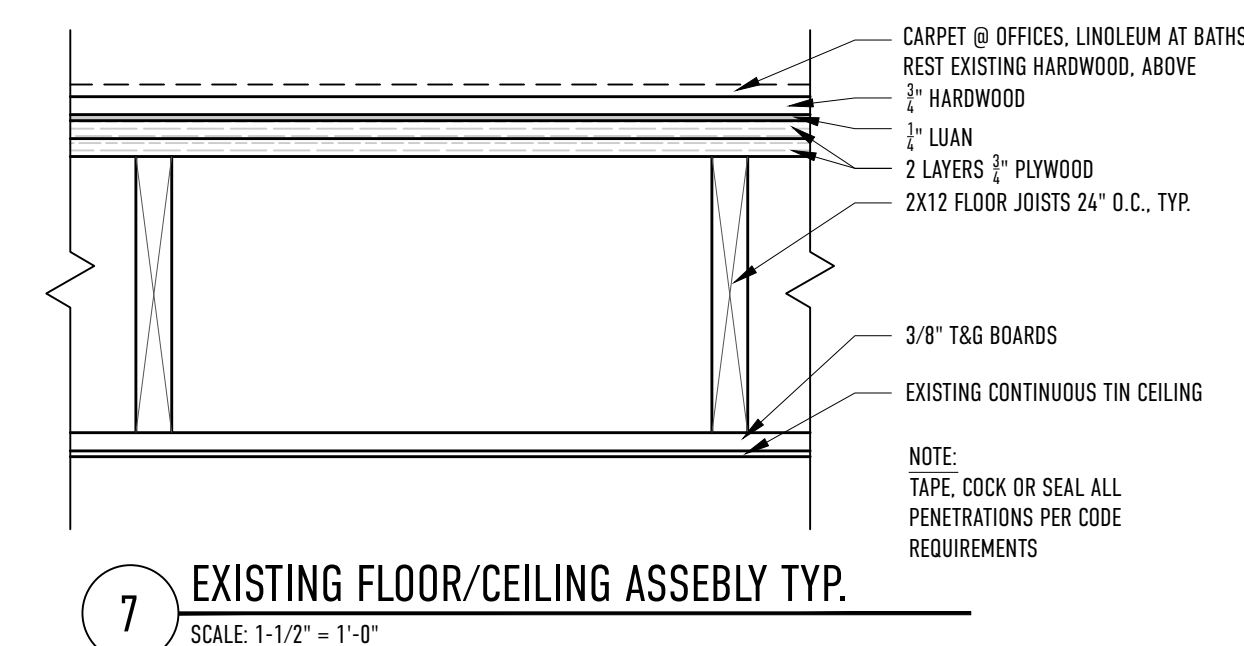


NOTE:
 1. GC TO CONFIRM ALL PLUMBING FIXTURES TO BE INSTALLED PER ADA REQUIREMENTS.
 2. DRAWINGS BELOW TO BE USED AS A GUIDE TO INDICATE ALL CLEARANCES AT BOTH BATHROOMS 101 AND 102.



NOTE:
 GC TO VERIFY ALL DIMENSIONS TO MEET FIGURE 608.2.2 FOR STANDARD ROLL-IN TYPE SHOWER COMPARTMENT SIZES AND CLEARANCES

NOTE:
 GC TO VERIFY ALL DIMENSIONS TO MEET FIGURE 608.2.2 FOR STANDARD ROLL-IN TYPE SHOWER COMPARTMENT SIZES AND CLEARANCES



DATE:

REVISIONS:

DRAWING TITLE:

A.201.INTERIOR ELEVATIONS

PROJECT NAME:
 SHIFT PORTLAND
 24 PREBLE ST.
 PORTLAND, MAINE 04101

DATE OF ISSUE:

MAY 12, 2017

ISSUED FOR:

PERMITTING

SCALE:

1/2"=1'-0"

THIS DRAWING IS THE PROPERTY OF
 BARRETT MADE AND IS NOT TO BE COPIED
 OR REPRODUCED IN PART OR WHOLE.
 2017 © BARRETT MADE

**BARRETT
 MADE**

HOWES · SPACES · DETAILS