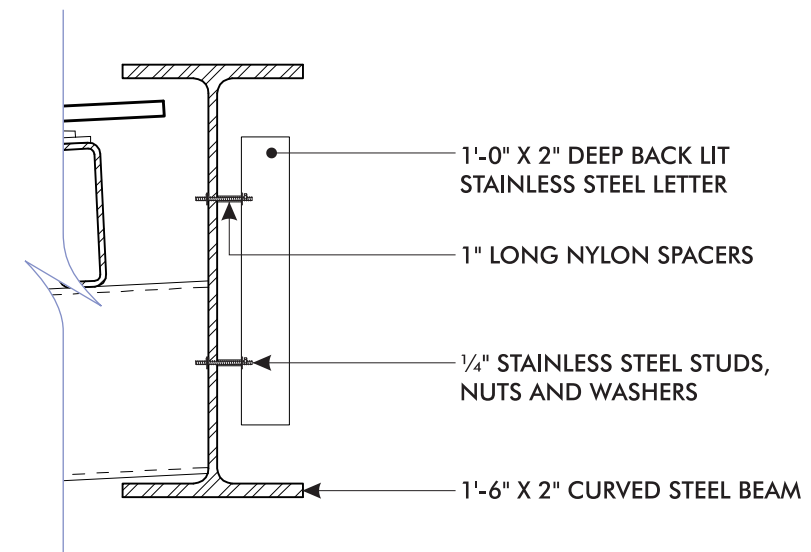
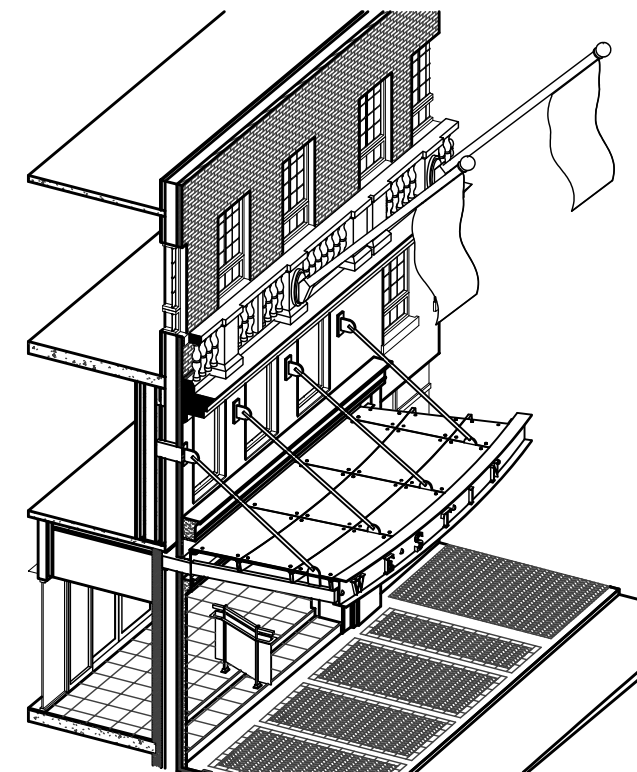




BACK LIT LETTERS ABOVE ENTRANCE—ELEVATION  
 SCALE: 3/16" = 1'-0"



MOUNTING DETAIL  
 SCALE: 1 1/2" = 1'-0"



3D RENDERING  
 NOT TO SCALE

## Eastland Park Hotel 15687

### PERMIT DRAWING

Location: 157 High Street  
 Portland, Maine  
 Drawing No.: 5 of 6  
 Drawn by: PFAT Rep.: RS  
 Date: 06.17.2013  
 Lead No.: 018278  
 Gen Ref.:



Neokraft Signs Inc. <http://www.neokraft.com>  
 686 Main Street T:207.782.9654 F:782.0009  
 Lewiston, Maine 04240 1.800.339.2258  
 © COPYRIGHT 2013, BY NEOKRAFT SIGNS, INC.